



DPDK

DATA PLANE DEVELOPMENT KIT

Sample Applications User Guides

Release 19.05.0

May 13, 2019

CONTENTS

| | | |
|----------|--|-----------|
| 1 | Introduction to the DPDK Sample Applications | 1 |
| 1.1 | Running Sample Applications | 1 |
| 1.2 | The DPDK Sample Applications | 1 |
| 2 | Compiling the Sample Applications | 3 |
| 2.1 | To compile all the sample applications | 3 |
| 2.2 | To compile a single application | 3 |
| 2.3 | To cross compile the sample application(s) | 4 |
| 3 | Command Line Sample Application | 5 |
| 3.1 | Overview | 5 |
| 3.2 | Compiling the Application | 5 |
| 3.3 | Running the Application | 6 |
| 3.4 | Explanation | 6 |
| 4 | Ethtool Sample Application | 8 |
| 4.1 | Compiling the Application | 8 |
| 4.2 | Running the Application | 8 |
| 4.3 | Using the application | 8 |
| 4.4 | Explanation | 9 |
| 4.5 | Ethtool interface | 9 |
| 5 | Exception Path Sample Application | 11 |
| 5.1 | Overview | 11 |
| 5.2 | Compiling the Application | 12 |
| 5.3 | Running the Application | 12 |
| 5.4 | Explanation | 12 |
| 6 | Hello World Sample Application | 16 |
| 6.1 | Compiling the Application | 16 |
| 6.2 | Running the Application | 16 |
| 6.3 | Explanation | 16 |
| 7 | Basic Forwarding Sample Application | 18 |
| 7.1 | Compiling the Application | 18 |
| 7.2 | Running the Application | 18 |
| 7.3 | Explanation | 18 |
| 8 | RX/TX Callbacks Sample Application | 23 |
| 8.1 | Compiling the Application | 23 |

| | | |
|-----------|---|-----------|
| 8.2 | Running the Application | 23 |
| 8.3 | Explanation | 23 |
| 9 | Flow Classify Sample Application | 27 |
| 9.1 | Compiling the Application | 27 |
| 9.2 | Running the Application | 27 |
| 9.3 | Sample ipv4_rules_file.txt | 27 |
| 9.4 | Explanation | 28 |
| 10 | Basic RTE Flow Filtering Sample Application | 36 |
| 10.1 | Compiling the Application | 36 |
| 10.2 | Running the Application | 36 |
| 10.3 | Explanation | 36 |
| 11 | IP Fragmentation Sample Application | 44 |
| 11.1 | Overview | 44 |
| 11.2 | Compiling the Application | 44 |
| 11.3 | Running the Application | 44 |
| 12 | IPv4 Multicast Sample Application | 47 |
| 12.1 | Overview | 47 |
| 12.2 | Compiling the Application | 47 |
| 12.3 | Running the Application | 47 |
| 12.4 | Explanation | 48 |
| 13 | IP Reassembly Sample Application | 53 |
| 13.1 | Overview | 53 |
| 13.2 | Compiling the Application | 53 |
| 13.3 | Running the Application | 53 |
| 13.4 | Explanation | 55 |
| 14 | Kernel NIC Interface Sample Application | 57 |
| 14.1 | Overview | 57 |
| 14.2 | Compiling the Application | 58 |
| 14.3 | Running the kni Example Application | 59 |
| 14.4 | KNI Operations | 60 |
| 14.5 | Explanation | 61 |
| 15 | Keep Alive Sample Application | 63 |
| 15.1 | Overview | 63 |
| 15.2 | Compiling the Application | 63 |
| 15.3 | Running the Application | 63 |
| 15.4 | Explanation | 64 |
| 16 | L2 Forwarding with Crypto Sample Application | 66 |
| 16.1 | Overview | 66 |
| 16.2 | Compiling the Application | 66 |
| 16.3 | Running the Application | 66 |
| 16.4 | Explanation | 69 |
| 17 | L2 Forwarding Sample Application (in Real and Virtualized Environments) with core load statistics. | 74 |
| 17.1 | Overview | 74 |

| | | |
|-----------|--|------------|
| 17.2 | Compiling the Application | 76 |
| 17.3 | Running the Application | 76 |
| 17.4 | Explanation | 76 |
| 18 | L2 Forwarding Sample Application (in Real and Virtualized Environments) | 84 |
| 18.1 | Overview | 84 |
| 18.2 | Compiling the Application | 87 |
| 18.3 | Running the Application | 87 |
| 18.4 | Explanation | 87 |
| 19 | L2 Forwarding Sample Application with Cache Allocation Technology (CAT) | 93 |
| 19.1 | Compiling the Application | 93 |
| 19.2 | Running the Application | 94 |
| 19.3 | Explanation | 95 |
| 20 | L3 Forwarding Sample Application | 96 |
| 20.1 | Overview | 96 |
| 20.2 | Compiling the Application | 96 |
| 20.3 | Running the Application | 97 |
| 20.4 | Explanation | 98 |
| 21 | L3 Forwarding with Power Management Sample Application | 102 |
| 21.1 | Introduction | 102 |
| 21.2 | Overview | 102 |
| 21.3 | Compiling the Application | 103 |
| 21.4 | Running the Application | 103 |
| 21.5 | Explanation | 104 |
| 21.6 | Empty Poll Mode | 108 |
| 22 | L3 Forwarding with Access Control Sample Application | 110 |
| 22.1 | Overview | 110 |
| 22.2 | Compiling the Application | 114 |
| 22.3 | Running the Application | 114 |
| 22.4 | Explanation | 115 |
| 23 | L3 Forwarding in a Virtualization Environment Sample Application | 116 |
| 23.1 | Overview | 116 |
| 23.2 | Compiling the Application | 116 |
| 23.3 | Running the Application | 117 |
| 23.4 | Explanation | 117 |
| 24 | Link Status Interrupt Sample Application | 118 |
| 24.1 | Overview | 118 |
| 24.2 | Compiling the Application | 118 |
| 24.3 | Running the Application | 118 |
| 24.4 | Explanation | 119 |
| 25 | Load Balancer Sample Application | 125 |
| 25.1 | Overview | 125 |
| 25.2 | Compiling the Application | 126 |
| 25.3 | Running the Application | 126 |
| 25.4 | Explanation | 127 |

| | |
|--|------------|
| 26 Server-Node EFD Sample Application | 129 |
| 26.1 Overview | 129 |
| 26.2 Compiling the Application | 130 |
| 26.3 Running the Application | 130 |
| 26.4 Explanation | 131 |
| 27 Service Cores Sample Application | 137 |
| 27.1 Compiling the Application | 137 |
| 27.2 Running the Application | 137 |
| 27.3 Explanation | 137 |
| 28 Multi-process Sample Application | 140 |
| 28.1 Example Applications | 140 |
| 29 QoS Metering Sample Application | 147 |
| 29.1 Overview | 147 |
| 29.2 Compiling the Application | 147 |
| 29.3 Running the Application | 147 |
| 29.4 Explanation | 148 |
| 30 QoS Scheduler Sample Application | 150 |
| 30.1 Overview | 150 |
| 30.2 Compiling the Application | 150 |
| 30.3 Running the Application | 151 |
| 30.4 Explanation | 154 |
| 31 Quota and Watermark Sample Application | 156 |
| 31.1 Overview | 156 |
| 31.2 Compiling the Application | 158 |
| 31.3 Running the Application | 158 |
| 31.4 Code Overview | 159 |
| 32 Timer Sample Application | 166 |
| 32.1 Compiling the Application | 166 |
| 32.2 Running the Application | 166 |
| 32.3 Explanation | 166 |
| 33 Packet Ordering Application | 169 |
| 33.1 Overview | 169 |
| 33.2 Compiling the Application | 169 |
| 33.3 Running the Application | 169 |
| 34 VMDQ and DCB Forwarding Sample Application | 171 |
| 34.1 Overview | 171 |
| 34.2 Compiling the Application | 172 |
| 34.3 Running the Application | 172 |
| 34.4 Explanation | 172 |
| 35 Vhost Sample Application | 176 |
| 35.1 Testing steps | 176 |
| 35.2 Inject packets | 177 |
| 35.3 Parameters | 177 |
| 35.4 Common Issues | 178 |

| | |
|---|------------|
| 36 Vhost_scsi Sample Application | 180 |
| 36.1 Testing steps | 180 |
| 36.2 Compiling the Application | 180 |
| 36.3 Vhost_scsi Common Issues | 181 |
| 37 Vhost_Crypto Sample Application | 182 |
| 37.1 Testing steps | 182 |
| 37.2 Compiling the Application | 182 |
| 38 Vdpa Sample Application | 184 |
| 38.1 Testing steps | 184 |
| 39 Netmap Compatibility Sample Application | 186 |
| 39.1 Introduction | 186 |
| 39.2 Available APIs | 186 |
| 39.3 Caveats | 186 |
| 39.4 Porting Netmap Applications | 187 |
| 39.5 Compiling the Application | 188 |
| 39.6 Running the “bridge” Sample Application | 188 |
| 40 Internet Protocol (IP) Pipeline Application | 189 |
| 40.1 Application overview | 189 |
| 40.2 Running the application | 189 |
| 40.3 Application stages | 191 |
| 40.4 Examples | 193 |
| 40.5 Command Line Interface (CLI) | 194 |
| 41 Test Pipeline Application | 200 |
| 41.1 Overview | 200 |
| 41.2 Compiling the Application | 200 |
| 41.3 Running the Application | 201 |
| 42 Eventdev Pipeline Sample Application | 204 |
| 42.1 Compiling the Application | 204 |
| 42.2 Running the Application | 204 |
| 42.3 Observing the Application | 205 |
| 43 Distributor Sample Application | 207 |
| 43.1 Overview | 207 |
| 43.2 Compiling the Application | 207 |
| 43.3 Running the Application | 207 |
| 43.4 Explanation | 208 |
| 43.5 Intel SST-BF Support | 209 |
| 43.6 Debug Logging Support | 209 |
| 43.7 Statistics | 210 |
| 43.8 Application Initialization | 210 |
| 44 VM Power Management Application | 211 |
| 44.1 Introduction | 211 |
| 44.2 Overview | 212 |
| 44.3 Configuration | 213 |
| 44.4 Compiling and Running the Host Application | 215 |
| 44.5 Compiling and Running the Guest Applications | 221 |

| | |
|--|------------|
| 45 TEP termination Sample Application | 224 |
| 45.1 Background | 224 |
| 45.2 Sample Code Overview | 225 |
| 45.3 Supported Distributions | 225 |
| 45.4 Compiling the Sample Code | 227 |
| 45.5 Running the Sample Code | 227 |
| 45.6 Running the Virtual Machine (QEMU) | 228 |
| 45.7 Running DPDK in the Virtual Machine | 228 |
| 45.8 Passing Traffic to the Virtual Machine Device | 228 |
| 46 PTP Client Sample Application | 229 |
| 46.1 Limitations | 229 |
| 46.2 How the Application Works | 229 |
| 46.3 Compiling the Application | 230 |
| 46.4 Running the Application | 230 |
| 46.5 Code Explanation | 231 |
| 47 Performance Thread Sample Application | 234 |
| 47.1 Overview | 234 |
| 47.2 Compiling the Application | 234 |
| 47.3 Running the Application | 235 |
| 47.4 Explanation | 237 |
| 47.5 The L-thread subsystem | 239 |
| 48 Federal Information Processing Standards (FIPS) CryptoDev Validation | 252 |
| 48.1 Overview | 252 |
| 48.2 Limitations | 252 |
| 48.3 Application Information | 253 |
| 48.4 Compiling the Application | 253 |
| 48.5 Running the Application | 253 |
| 49 IPsec Security Gateway Sample Application | 255 |
| 49.1 Overview | 255 |
| 49.2 Constraints | 256 |
| 49.3 Compiling the Application | 256 |
| 49.4 Running the Application | 256 |
| 49.5 Configurations | 258 |
| 49.6 Test directory | 265 |
| 50 Loop-back Sample Application using Baseband Device (bbdev) | 267 |
| 50.1 Overview | 267 |
| 50.2 Limitations | 267 |
| 50.3 Compiling the Application | 267 |
| 50.4 Running the Application | 268 |
| 50.5 Using Packet Generator with baseband device sample application | 268 |

INTRODUCTION TO THE DPDK SAMPLE APPLICATIONS

The DPDK Sample Applications are small standalone applications which demonstrate various features of DPDK. They can be considered as a cookbook of DPDK features. Users interested in getting started with DPDK can take the applications, try out the features, and then extend them to fit their needs.

1.1 Running Sample Applications

Some sample applications may have their own command-line parameters described in their respective guides, however all of them also share the same EAL parameters. Please refer to `../linux_gsg/linux_eal_parameters` or `../freebsd_gsg/freebsd_eal_parameters` for a list of available EAL command-line options.

1.2 The DPDK Sample Applications

Table [Table 1.1](#) shows a list of some of the main sample applications that are available in the examples directory of DPDK:

Table 1.1: **Some of the DPDK Sample applications**

| | |
|---------------------------------------|--------------------------------------|
| Bonding | Netmap Compatibility |
| Command Line | Packet Ordering |
| Distributor | Performance Thread |
| Ethtool | Precision Time Protocol (PTP) Client |
| Exception Path | Quality of Service (QoS) Metering |
| Hello World | QoS Scheduler |
| Internet Protocol (IP) Fragmentation | Quota and Watermark |
| IP Pipeline | RX/TX Callbacks |
| IP Reassembly | Server node EFD |
| IPsec Security Gateway | Basic Forwarding/Skeleton App |
| IPv4 multicast | Tunnel End Point (TEP) termination |
| Kernel NIC Interface | Timer |
| Network Layer 2 Forwarding + variants | Vhost |
| Network Layer 3 Forwarding + variants | Vhost Xen |
| Link Status Interrupt | VMDQ Forwarding |
| Load Balancer | VMDQ and DCB Forwarding |
| Multi-process | VM Power Management |

These examples range from simple to reasonably complex but most are designed to demonstrate one particular feature of DPDK. Some of the more interesting examples are highlighted below.

- **Hello World:** As with most introductions to a programming framework a good place to start is with the Hello World application. The Hello World example sets up the DPDK Environment Abstraction Layer (EAL), and prints a simple “Hello World” message to each of the DPDK enabled cores. This application doesn’t do any packet forwarding but it is a good way to test if the DPDK environment is compiled and set up properly.
- **Basic Forwarding/Skeleton Application:** The Basic Forwarding/Skeleton contains the minimum amount of code required to enable basic packet forwarding with DPDK. This allows you to test if your network interfaces are working with DPDK.
- **Network Layer 2 forwarding:** The Network Layer 2 forwarding, or `l2fwd` application does forwarding based on Ethernet MAC addresses like a simple switch.
- **Network Layer 3 forwarding:** The Network Layer3 forwarding, or `l3fwd` application does forwarding based on Internet Protocol, IPv4 or IPv6 like a simple router.
- **Packet Distributor:** The Packet Distributor demonstrates how to distribute packets arriving on an Rx port to different cores for processing and transmission.
- **Multi-Process Application:** The multi-process application shows how two DPDK processes can work together using queues and memory pools to share information.
- **RX/TX callbacks Application:** The RX/TX callbacks sample application is a packet forwarding application that demonstrates the use of user defined callbacks on received and transmitted packets. The application calculates the latency of a packet between RX (packet arrival) and TX (packet transmission) by adding callbacks to the RX and TX packet processing functions.
- **IPsec Security Gateway:** The IPsec Security Gateway application is minimal example of something closer to a real world example. This is also a good example of an application using the DPDK Cryptodev framework.
- **Precision Time Protocol (PTP) client:** The PTP client is another minimal implementation of a real world application. In this case the application is a PTP client that communicates with a PTP master clock to synchronize time on a Network Interface Card (NIC) using the IEEE1588 protocol.
- **Quality of Service (QoS) Scheduler:** The QoS Scheduler application demonstrates the use of DPDK to provide QoS scheduling.

There are many more examples shown in the following chapters. Each of the documented sample applications show how to compile, configure and run the application as well as explaining the main functionality of the code.

COMPILING THE SAMPLE APPLICATIONS

This section explains how to compile the DPDK sample applications.

2.1 To compile all the sample applications

Set the path to DPDK source code if its not set:

```
export RTE_SDK=/path/to/rte_sdk
```

Go to DPDK source:

```
cd $RTE_SDK
```

Build DPDK:

```
make defconfig  
make
```

Build the sample applications:

```
export RTE_TARGET=build  
make -C examples
```

For other possible `RTE_TARGET` values and additional information on compiling see [Compiling DPDK on Linux](#) or [Compiling DPDK on FreeBSD](#). Applications are output to: `$RTE_SDK/examples/app-dir/build` or `$RTE_SDK/examples/app-dir/$RTE_TARGET`.

In the example above the compiled application is written to the `build` subdirectory. To have the applications written to a different location, the `O=/path/to/build/directory` option may be specified in the make command.

```
make O=/tmp
```

To build the applications for debugging use the `DEBUG` option. This option adds some extra flags, disables compiler optimizations and sets verbose output.

```
make DEBUG=1
```

2.2 To compile a single application

Set the path to DPDK source code:

```
export RTE_SDK=/path/to/rte_sdk
```

Go to DPDK source:

```
cd $RTE_SDK
```

Build DPDK:

```
make defconfig
make
```

Go to the sample application directory. Unless otherwise specified the sample applications are located in `$RTE_SDK/examples/`.

Build the application:

```
export RTE_TARGET=build
make
```

2.3 To cross compile the sample application(s)

For cross compiling the sample application(s), please append 'CROSS=\$(CROSS_COMPILER_PREFIX)' to the 'make' command. In example of AARCH64 cross compiling:

```
export RTE_TARGET=build
export RTE_SDK=/path/to/rte_sdk
make -C examples CROSS=aarch64-linux-gnu-
or
make CROSS=aarch64-linux-gnu-
```

COMMAND LINE SAMPLE APPLICATION

This chapter describes the Command Line sample application that is part of the Data Plane Development Kit (DPDK).

3.1 Overview

The Command Line sample application is a simple application that demonstrates the use of the command line interface in the DPDK. This application is a readline-like interface that can be used to debug a DPDK application, in a Linux* application environment.

Note: The `rte_cmdline` library should not be used in production code since it is not validated to the same standard as other DPDK libraries. See also the “`rte_cmdline` library should not be used in production code due to limited testing” item in the “Known Issues” section of the Release Notes.

The Command Line sample application supports some of the features of the GNU readline library such as, completion, cut/paste and some other special bindings that make configuration and debug faster and easier.

The application shows how the `rte_cmdline` application can be extended to handle a list of objects. There are three simple commands:

- `add obj_name IP`: Add a new object with an IP/IPv6 address associated to it.
- `del obj_name`: Delete the specified object.
- `show obj_name`: Show the IP associated with the specified object.

Note: To terminate the application, use **Ctrl-d**.

3.2 Compiling the Application

To compile the sample application see [Compiling the Sample Applications](#)

The application is located in the `cmd_line` sub-directory.

3.3 Running the Application

To run the application in linux environment, issue the following command:

```
$ ./build/cmdline -l 0-3 -n 4
```

Refer to the *DPDK Getting Started Guide* for general information on running applications and the Environment Abstraction Layer (EAL) options.

3.4 Explanation

The following sections provide some explanation of the code.

3.4.1 EAL Initialization and cmdline Start

The first task is the initialization of the Environment Abstraction Layer (EAL). This is achieved as follows:

```
int main(int argc, char **argv)
{
    ret = rte_eal_init(argc, argv);
    if (ret < 0)
        rte_panic("Cannot init EAL\n");
}
```

Then, a new command line object is created and started to interact with the user through the console:

```
cl = cmdline_stdin_new(main_ctx, "example> ");
cmdline_interact(cl);
cmdline_stdin_exit(cl);
```

The `cmd_line_interact()` function returns when the user types **Ctrl-d** and in this case, the application exits.

3.4.2 Defining a cmdline Context

A cmdline context is a list of commands that are listed in a NULL-terminated table, for example:

```
cmdline_parse_ctx_t main_ctx[] = {
    (cmdline_parse_inst_t *) &cmd_obj_del_show,
    (cmdline_parse_inst_t *) &cmd_obj_add,
    (cmdline_parse_inst_t *) &cmd_help,
    NULL,
};
```

Each command (of type `cmdline_parse_inst_t`) is defined statically. It contains a pointer to a callback function that is executed when the command is parsed, an opaque pointer, a help string and a list of tokens in a NULL-terminated table.

The `rte_cmdline` application provides a list of pre-defined token types:

- String Token: Match a static string, a list of static strings or any string.
- Number Token: Match a number that can be signed or unsigned, from 8-bit to 32-bit.
- IP Address Token: Match an IPv4 or IPv6 address or network.
- Ethernet* Address Token: Match a MAC address.

In this example, a new token type `obj_list` is defined and implemented in the `parse_obj_list.c` and `parse_obj_list.h` files.

For example, the `cmd_obj_del_show` command is defined as shown below:

```

struct cmd_obj_add_result {
    cmdline_fixed_string_t action;
    cmdline_fixed_string_t name;
    struct object *obj;
};

static void cmd_obj_del_show_parsed(void *parsed_result, struct cmdline *cl, attribute ((unused))
{
    /* ... */
}

cmdline_parse_token_string_t cmd_obj_action = TOKEN_STRING_INITIALIZER(struct cmd_obj_del_show_
parse_token_obj_list_t cmd_obj_obj = TOKEN_OBJ_LIST_INITIALIZER(struct cmd_obj_del_show_result,

cmdline_parse_inst_t cmd_obj_del_show = {
    .f = cmd_obj_del_show_parsed, /* function to call */
    .data = NULL, /* 2nd arg of func */
    .help_str = "Show/del an object",
    .tokens = { /* token list, NULL terminated */
        (void *)&cmd_obj_action,
        (void *)&cmd_obj_obj,
        NULL,
    },
};

```

This command is composed of two tokens:

- The first token is a string token that can be `show` or `del`.
- The second token is an object that was previously added using the `add` command in the `global_obj_list` variable.

Once the command is parsed, the `rte_cmdline` application fills a `cmd_obj_del_show_result` structure. A pointer to this structure is given as an argument to the callback function and can be used in the body of this function.

ETHTOOL SAMPLE APPLICATION

The Ethtool sample application shows an implementation of an ethtool-like API and provides a console environment that allows its use to query and change Ethernet card parameters. The sample is based upon a simple L2 frame reflector.

4.1 Compiling the Application

To compile the sample application see [Compiling the Sample Applications](#).

The application is located in the `ethtool` sub-directory.

4.2 Running the Application

The application requires an available core for each port, plus one. The only available options are the standard ones for the EAL:

```
./ethtool-app/ethtool-app/${RTE_TARGET}/ethtool [EAL options]
```

Refer to the *DPDK Getting Started Guide* for general information on running applications and the Environment Abstraction Layer (EAL) options.

4.3 Using the application

The application is console-driven using the cmdline DPDK interface:

```
EthApp>
```

From this interface the available commands and descriptions of what they do as as follows:

- `drvinfo`: Print driver info
- `eeeprom`: Dump EEPROM to file
- `module-eeeprom`: Dump plugin module EEPROM to file
- `link`: Print port link states
- `macaddr`: Gets/sets MAC address
- `mtu`: Set NIC MTU
- `open`: Open port

- `pause`: Get/set port pause state
- `portstats`: Print port statistics
- `regs`: Dump port register(s) to file
- `ringparam`: Get/set ring parameters
- `rxmode`: Toggle port Rx mode
- `stop`: Stop port
- `validate`: Check that given MAC address is valid unicast address
- `vlan`: Add/remove VLAN id
- `quit`: Exit program

4.4 Explanation

The sample program has two parts: A background *packet reflector* that runs on a slave core, and a foreground *Ethtool Shell* that runs on the master core. These are described below.

4.4.1 Packet Reflector

The background packet reflector is intended to demonstrate basic packet processing on NIC ports controlled by the Ethtool shim. Each incoming MAC frame is rewritten so that it is returned to the sender, using the port in question's own MAC address as the source address, and is then sent out on the same port.

4.4.2 Ethtool Shell

The foreground part of the Ethtool sample is a console-based interface that accepts commands as described in *using the application*. Individual call-back functions handle the detail associated with each command, which make use of the functions defined in the *Ethtool interface* to the DPDK functions.

4.5 Ethtool interface

The Ethtool interface is built as a separate library, and implements the following functions:

- `rte_ethtool_get_drvinfo()`
- `rte_ethtool_get_regs_len()`
- `rte_ethtool_get_regs()`
- `rte_ethtool_get_link()`
- `rte_ethtool_get_eeprom_len()`
- `rte_ethtool_get_eeprom()`
- `rte_ethtool_set_eeprom()`

- `rte_ethtool_get_module_info()`
- `rte_ethtool_get_module_eeprom()`
- `rte_ethtool_get_pauseparam()`
- `rte_ethtool_set_pauseparam()`
- `rte_ethtool_net_open()`
- `rte_ethtool_net_stop()`
- `rte_ethtool_net_get_mac_addr()`
- `rte_ethtool_net_set_mac_addr()`
- `rte_ethtool_net_validate_addr()`
- `rte_ethtool_net_change_mtu()`
- `rte_ethtool_net_get_stats64()`
- `rte_ethtool_net_vlan_rx_add_vid()`
- `rte_ethtool_net_vlan_rx_kill_vid()`
- `rte_ethtool_net_set_rx_mode()`
- `rte_ethtool_get_ringparam()`
- `rte_ethtool_set_ringparam()`

EXCEPTION PATH SAMPLE APPLICATION

The Exception Path sample application is a simple example that demonstrates the use of the DPDK to set up an exception path for packets to go through the Linux* kernel. This is done by using virtual TAP network interfaces. These can be read from and written to by the DPDK application and appear to the kernel as a standard network interface.

5.1 Overview

The application creates two threads for each NIC port being used. One thread reads from the port and writes the data unmodified to a thread-specific TAP interface. The second thread reads from a TAP interface and writes the data unmodified to the NIC port.

The packet flow through the exception path application is as shown in the following figure.

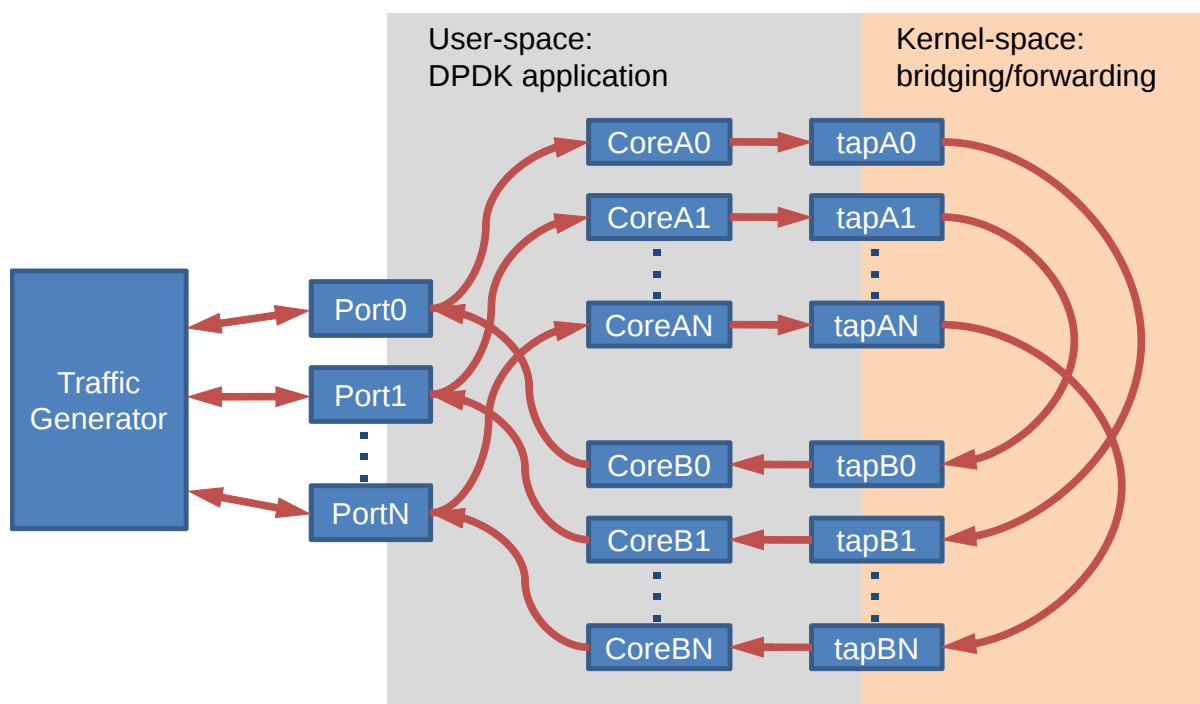


Fig. 5.1: Packet Flow

To make throughput measurements, kernel bridges must be setup to forward data between the bridges appropriately.

5.2 Compiling the Application

To compile the sample application see [Compiling the Sample Applications](#).

The application is located in the `exception_path` sub-directory.

5.3 Running the Application

The application requires a number of command line options:

```
./build/exception_path [EAL options] -- -p PORTMASK -i IN_CORES -o OUT_CORES
```

where:

- `-p PORTMASK`: A hex bitmask of ports to use
- `-i IN_CORES`: A hex bitmask of cores which read from NIC
- `-o OUT_CORES`: A hex bitmask of cores which write to NIC

Refer to the *DPDK Getting Started Guide* for general information on running applications and the Environment Abstraction Layer (EAL) options.

The number of bits set in each bitmask must be the same. The coremask `-c` or the corelist `-l` parameter of the EAL options should include `IN_CORES` and `OUT_CORES`. The same bit must not be set in `IN_CORES` and `OUT_CORES`. The affinities between ports and cores are set beginning with the least significant bit of each mask, that is, the port represented by the lowest bit in `PORTMASK` is read from by the core represented by the lowest bit in `IN_CORES`, and written to by the core represented by the lowest bit in `OUT_CORES`.

For example to run the application with two ports and four cores:

```
./build/exception_path -l 0-3 -n 4 -- -p 3 -i 3 -o c
```

5.3.1 Getting Statistics

While the application is running, statistics on packets sent and received can be displayed by sending the `SIGUSR1` signal to the application from another terminal:

```
killall -USR1 exception_path
```

The statistics can be reset by sending a `SIGUSR2` signal in a similar way.

5.4 Explanation

The following sections provide some explanation of the code.

5.4.1 Initialization

Setup of the mbuf pool, driver and queues is similar to the setup done in the *L2 Forwarding Sample Application (in Real and Virtualized Environments)*. In addition, the TAP interfaces must also be created. A TAP interface is created for each lcore that is being used. The code for creating the TAP interface is as follows:

```

/*
 * Create a tap network interface, or use existing one with same name.
 * If name[0]='\0' then a name is automatically assigned and returned in name.
 */

static int tap_create(char *name)
{
    struct ifreq ifr;
    int fd, ret;

    fd = open("/dev/net/tun", O_RDWR);
    if (fd < 0)
        return fd;

    memset(&ifr, 0, sizeof(ifr));

    /* TAP device without packet information */

    ifr.ifr_flags = IFF_TAP | IFF_NO_PI;
    if (name && *name)
        rte_snpriof(ifr.ifr_name, IFNAMSIZ, name);

    ret = ioctl(fd, TUNSETIFF, (void *) &ifr);

    if (ret < 0) {
        close(fd);
        return ret;
    }

    if (name)
        snprintf(name, IFNAMSIZ, ifr.ifr_name);

    return fd;
}

```

The other step in the initialization process that is unique to this sample application is the association of each port with two cores:

- One core to read from the port and write to a TAP interface
- A second core to read from a TAP interface and write to the port

This is done using an array called `port_ids[]`, which is indexed by the lcore IDs. The population of this array is shown below:

```

tx_port = 0;
rx_port = 0;

RTE_LCORE_FOREACH(i) {
    if (input_cores_mask & (1ULL << i)) {
        /* Skip ports that are not enabled */
        while ((ports_mask & (1 << rx_port)) == 0) {
            rx_port++;
            if (rx_port > (sizeof(ports_mask) * 8))
                goto fail; /* not enough ports */
        }
        port_ids[i] = rx_port++;
    } else if (output_cores_mask & (1ULL << i)) {
        /* Skip ports that are not enabled */
        while ((ports_mask & (1 << tx_port)) == 0) {
            tx_port++;
            if (tx_port > (sizeof(ports_mask) * 8))
                goto fail; /* not enough ports */
        }
    }
}

```

```

    }
    port_ids[i] = tx_port++;
}
}

```

5.4.2 Packet Forwarding

After the initialization steps are complete, the `main_loop()` function is run on each lcore. This function first checks the `lcore_id` against the user provided `input_cores_mask` and `output_cores_mask` to see if this core is reading from or writing to a TAP interface.

For the case that reads from a NIC port, the packet reception is the same as in the L2 Forwarding sample application (see *Receive, Process and Transmit Packets*). The packet transmission is done by calling `write()` with the file descriptor of the appropriate TAP interface and then explicitly freeing the mbuf back to the pool.

```

/* Loop forever reading from NIC and writing to tap */

for (;;) {
    struct rte_mbuf *pkts_burst[PKT_BURST_SZ];
    unsigned i;

    const unsigned nb_rx = rte_eth_rx_burst(port_ids[lcore_id], 0, pkts_burst, PKT_BURST_SZ);

    lcore_stats[lcore_id].rx += nb_rx;

    for (i = 0; likely(i < nb_rx); i++) {
        struct rte_mbuf *m = pkts_burst[i];
        int ret = write(tap_fd, rte_pktmbuf_mtod(m, void*),

            rte_pktmbuf_data_len(m));
        rte_pktmbuf_free(m);
        if (unlikely(ret < 0))
            lcore_stats[lcore_id].dropped++;
        else
            lcore_stats[lcore_id].tx++;
    }
}

```

For the other case that reads from a TAP interface and writes to a NIC port, packets are retrieved by doing a `read()` from the file descriptor of the appropriate TAP interface. This fills in the data into the mbuf, then other fields are set manually. The packet can then be transmitted as normal.

```

/* Loop forever reading from tap and writing to NIC */

for (;;) {
    int ret;
    struct rte_mbuf *m = rte_pktmbuf_alloc(pktmbuf_pool);

    if (m == NULL)
        continue;

    ret = read(tap_fd, m->pkt.data, MAX_PACKET_SZ); lcore_stats[lcore_id].rx++;
    if (unlikely(ret < 0)) {
        FATAL_ERROR("Reading from %s interface failed", tap_name);
    }

    m->pkt.nb_segs = 1;
    m->pkt.next = NULL;
    m->pkt.data_len = (uint16_t)ret;
}

```

```

ret = rte_eth_tx_burst(port_ids[lcore_id], 0, &m, 1);
if (unlikely(ret < 1)) {
    rte_pktmuf_free(m);
    lcore_stats[lcore_id].dropped++;
}
else {
    lcore_stats[lcore_id].tx++;
}
}

```

To set up loops for measuring throughput, TAP interfaces can be connected using bridging. The steps to do this are described in the section that follows.

5.4.3 Managing TAP Interfaces and Bridges

The Exception Path sample application creates TAP interfaces with names of the format `tap_dpdk_nn`, where `nn` is the `lcore` ID. These TAP interfaces need to be configured for use:

```
ifconfig tap_dpdk_00 up
```

To set up a bridge between two interfaces so that packets sent to one interface can be read from another, use the `brctl` tool:

```
brctl addbr "br0"
brctl addif br0 tap_dpdk_00
brctl addif br0 tap_dpdk_03
ifconfig br0 up
```

The TAP interfaces created by this application exist only when the application is running, so the steps above need to be repeated each time the application is run. To avoid this, persistent TAP interfaces can be created using `openvpn`:

```
openvpn --mktun --dev tap_dpdk_00
```

If this method is used, then the steps above have to be done only once and the same TAP interfaces can be reused each time the application is run. To remove bridges and persistent TAP interfaces, the following commands are used:

```
ifconfig br0 down
brctl delbr br0
openvpn --rmtun --dev tap_dpdk_00
```

HELLO WORLD SAMPLE APPLICATION

The Hello World sample application is an example of the simplest DPDK application that can be written. The application simply prints an “helloworld” message on every enabled lcore.

6.1 Compiling the Application

To compile the sample application see [Compiling the Sample Applications](#).

The application is located in the `helloworld` sub-directory.

6.2 Running the Application

To run the example in a linux environment:

```
$ ./build/helloworld -l 0-3 -n 4
```

Refer to *DPDK Getting Started Guide* for general information on running applications and the Environment Abstraction Layer (EAL) options.

6.3 Explanation

The following sections provide some explanation of code.

6.3.1 EAL Initialization

The first task is to initialize the Environment Abstraction Layer (EAL). This is done in the `main()` function using the following code:

```
int
main(int argc, char **argv)
{
    ret = rte_eal_init(argc, argv);
    if (ret < 0)
        rte_panic("Cannot init EAL\n");
}
```

This call finishes the initialization process that was started before `main()` is called (in case of a Linux environment). The `argc` and `argv` arguments are provided to the `rte_eal_init()` function. The value returned is the number of parsed arguments.

6.3.2 Starting Application Unit Lcores

Once the EAL is initialized, the application is ready to launch a function on an lcore. In this example, `lcore_hello()` is called on every available lcore. The following is the definition of the function:

```
static int
lcore_hello( attribute ((unused)) void *arg)
{
    unsigned lcore_id;

    lcore_id = rte_lcore_id();
    printf("hello from core %u\n", lcore_id);
    return 0;
}
```

The code that launches the function on each lcore is as follows:

```
/* call lcore_hello() on every slave lcore */

RTE_LCORE_FOREACH_SLAVE(lcore_id) {
    rte_eal_remote_launch(lcore_hello, NULL, lcore_id);
}

/* call it on master lcore too */

lcore_hello(NULL);
```

The following code is equivalent and simpler:

```
rte_eal_mp_remote_launch(lcore_hello, NULL, CALL_MASTER);
```

Refer to the *DPDK API Reference* for detailed information on the `rte_eal_mp_remote_launch()` function.

BASIC FORWARDING SAMPLE APPLICATION

The Basic Forwarding sample application is a simple *skeleton* example of a forwarding application.

It is intended as a demonstration of the basic components of a DPDK forwarding application. For more detailed implementations see the L2 and L3 forwarding sample applications.

7.1 Compiling the Application

To compile the sample application see [Compiling the Sample Applications](#).

The application is located in the `skeleton` sub-directory.

7.2 Running the Application

To run the example in a `linux` environment:

```
./build/basicfwd -l 1 -n 4
```

Refer to *DPDK Getting Started Guide* for general information on running applications and the Environment Abstraction Layer (EAL) options.

7.3 Explanation

The following sections provide an explanation of the main components of the code.

All DPDK library functions used in the sample code are prefixed with `rte_` and are explained in detail in the *DPDK API Documentation*.

7.3.1 The Main Function

The `main()` function performs the initialization and calls the execution threads for each lcore.

The first task is to initialize the Environment Abstraction Layer (EAL). The `argc` and `argv` arguments are provided to the `rte_eal_init()` function. The value returned is the number of parsed arguments:

```
int ret = rte_eal_init(argc, argv);
if (ret < 0)
    rte_exit(EXIT_FAILURE, "Error with EAL initialization\n");
```

The `main()` also allocates a mempool to hold the mbufs (Message Buffers) used by the application:

```
mbuf_pool = rte_mempool_create("MBUF_POOL",
                              NUM_MBUFS * nb_ports,
                              MBUF_SIZE,
                              MBUF_CACHE_SIZE,
                              sizeof(struct rte_pktmbuf_pool_private),
                              rte_pktmbuf_pool_init, NULL,
                              rte_pktmbuf_init, NULL,
                              rte_socket_id(),
                              0);
```

Mbufs are the packet buffer structure used by DPDK. They are explained in detail in the “Mbuf Library” section of the *DPDK Programmer’s Guide*.

The `main()` function also initializes all the ports using the user defined `port_init()` function which is explained in the next section:

```
RTE_ETH_FOREACH_DEV(portid) {
    if (port_init(portid, mbuf_pool) != 0) {
        rte_exit(EXIT_FAILURE,
                "Cannot init port %" PRIu8 "\n", portid);
    }
}
```

Once the initialization is complete, the application is ready to launch a function on an lcore. In this example `lcore_main()` is called on a single lcore.

```
lcore_main();
```

The `lcore_main()` function is explained below.

7.3.2 The Port Initialization Function

The main functional part of the port initialization used in the Basic Forwarding application is shown below:

```
static inline int
port_init(uint16_t port, struct rte_mempool *mbuf_pool)
{
    struct rte_eth_conf port_conf = port_conf_default;
    const uint16_t rx_rings = 1, tx_rings = 1;
    struct ether_addr addr;
    int retval;
    uint16_t q;

    if (!rte_eth_dev_is_valid_port(port))
        return -1;

    /* Configure the Ethernet device. */
    retval = rte_eth_dev_configure(port, rx_rings, tx_rings, &port_conf);
    if (retval != 0)
        return retval;

    /* Allocate and set up 1 RX queue per Ethernet port. */
    for (q = 0; q < rx_rings; q++) {
        retval = rte_eth_rx_queue_setup(port, q, RX_RING_SIZE,
                                       rte_eth_dev_socket_id(port), NULL, mbuf_pool);
        if (retval < 0)
            return retval;
    }
}
```

```

/* Allocate and set up 1 TX queue per Ethernet port. */
for (q = 0; q < tx_rings; q++) {
    retval = rte_eth_tx_queue_setup(port, q, TX_RING_SIZE,
        rte_eth_dev_socket_id(port), NULL);
    if (retval < 0)
        return retval;
}

/* Start the Ethernet port. */
retval = rte_eth_dev_start(port);
if (retval < 0)
    return retval;

/* Enable RX in promiscuous mode for the Ethernet device. */
rte_eth_promiscuous_enable(port);

return 0;
}

```

The Ethernet ports are configured with default settings using the `rte_eth_dev_configure()` function and the `port_conf_default` struct:

```

static const struct rte_eth_conf port_conf_default = {
    .rxmode = { .max_rx_pkt_len = ETHER_MAX_LEN }
};

```

For this example the ports are set up with 1 RX and 1 TX queue using the `rte_eth_rx_queue_setup()` and `rte_eth_tx_queue_setup()` functions.

The Ethernet port is then started:

```
retval = rte_eth_dev_start(port);
```

Finally the RX port is set in promiscuous mode:

```
rte_eth_promiscuous_enable(port);
```

7.3.3 The Lcores Main

As we saw above the `main()` function calls an application function on the available lcores. For the Basic Forwarding application the lcore function looks like the following:

```

static __attribute__((noreturn)) void
lcore_main(void)
{
    uint16_t port;

    /*
     * Check that the port is on the same NUMA node as the polling thread
     * for best performance.
     */
    RTE_ETH_FOREACH_DEV(port)
        if (rte_eth_dev_socket_id(port) > 0 &&
            rte_eth_dev_socket_id(port) !=
                (int)rte_socket_id())
            printf("WARNING, port %u is on remote NUMA node to "
                "polling thread.\n\tPerformance will "
                "not be optimal.\n", port);

    printf("\nCore %u forwarding packets. [Ctrl+C to quit]\n",
        rte_lcore_id());
}

```

```

/* Run until the application is quit or killed. */
for (;;) {
    /*
     * Receive packets on a port and forward them on the paired
     * port. The mapping is 0 -> 1, 1 -> 0, 2 -> 3, 3 -> 2, etc.
     */
    RTE_ETH_FOREACH_DEV(port) {

        /* Get burst of RX packets, from first port of pair. */
        struct rte_mbuf *bufs[BURST_SIZE];
        const uint16_t nb_rx = rte_eth_rx_burst(port, 0,
            bufs, BURST_SIZE);

        if (unlikely(nb_rx == 0))
            continue;

        /* Send burst of TX packets, to second port of pair. */
        const uint16_t nb_tx = rte_eth_tx_burst(port ^ 1, 0,
            bufs, nb_rx);

        /* Free any unsend packets. */
        if (unlikely(nb_tx < nb_rx)) {
            uint16_t buf;
            for (buf = nb_tx; buf < nb_rx; buf++)
                rte_pktmbuf_free(bufs[buf]);
        }
    }
}

```

The main work of the application is done within the loop:

```

for (;;) {
    RTE_ETH_FOREACH_DEV(port) {

        /* Get burst of RX packets, from first port of pair. */
        struct rte_mbuf *bufs[BURST_SIZE];
        const uint16_t nb_rx = rte_eth_rx_burst(port, 0,
            bufs, BURST_SIZE);

        if (unlikely(nb_rx == 0))
            continue;

        /* Send burst of TX packets, to second port of pair. */
        const uint16_t nb_tx = rte_eth_tx_burst(port ^ 1, 0,
            bufs, nb_rx);

        /* Free any unsend packets. */
        if (unlikely(nb_tx < nb_rx)) {
            uint16_t buf;
            for (buf = nb_tx; buf < nb_rx; buf++)
                rte_pktmbuf_free(bufs[buf]);
        }
    }
}

```

Packets are received in bursts on the RX ports and transmitted in bursts on the TX ports. The ports are grouped in pairs with a simple mapping scheme using the an XOR on the port number:

```

0 -> 1
1 -> 0

2 -> 3

```

3 -> 2

etc.

The `rte_eth_tx_burst()` function frees the memory buffers of packets that are transmitted. If packets fail to transmit, (`nb_tx < nb_rx`), then they must be freed explicitly using `rte_pktmbuf_free()`.

The forwarding loop can be interrupted and the application closed using `Ctrl-C`.

RX/TX CALLBACKS SAMPLE APPLICATION

The RX/TX Callbacks sample application is a packet forwarding application that demonstrates the use of user defined callbacks on received and transmitted packets. The application performs a simple latency check, using callbacks, to determine the time packets spend within the application.

In the sample application a user defined callback is applied to all received packets to add a timestamp. A separate callback is applied to all packets prior to transmission to calculate the elapsed time, in CPU cycles.

8.1 Compiling the Application

To compile the sample application see [Compiling the Sample Applications](#).

The application is located in the `rxtx_callbacks` sub-directory.

The callbacks feature requires that the `CONFIG_RTE_ETHDEV_RXTX_CALLBACKS` setting is on in the `config/common_` config file that applies to the target. This is generally on by default:

```
CONFIG_RTE_ETHDEV_RXTX_CALLBACKS=y
```

8.2 Running the Application

To run the example in a `linux` environment:

```
./build/rxtx_callbacks -l 1 -n 4
```

Refer to *DPDK Getting Started Guide* for general information on running applications and the Environment Abstraction Layer (EAL) options.

8.3 Explanation

The `rxtx_callbacks` application is mainly a simple forwarding application based on the [Basic Forwarding Sample Application](#). See that section of the documentation for more details of the forwarding part of the application.

The sections below explain the additional RX/TX callback code.

8.3.1 The Main Function

The `main()` function performs the application initialization and calls the execution threads for each lcore. This function is effectively identical to the `main()` function explained in [Basic Forwarding Sample Application](#).

The `lcore_main()` function is also identical.

The main difference is in the user defined `port_init()` function where the callbacks are added. This is explained in the next section:

8.3.2 The Port Initialization Function

The main functional part of the port initialization is shown below with comments:

```
static inline int
port_init(uint16_t port, struct rte_mempool *mbuf_pool)
{
    struct rte_eth_conf port_conf = port_conf_default;
    const uint16_t rx_rings = 1, tx_rings = 1;
    struct ether_addr addr;
    int retval;
    uint16_t q;

    /* Configure the Ethernet device. */
    retval = rte_eth_dev_configure(port, rx_rings, tx_rings, &port_conf);
    if (retval != 0)
        return retval;

    /* Allocate and set up 1 RX queue per Ethernet port. */
    for (q = 0; q < rx_rings; q++) {
        retval = rte_eth_rx_queue_setup(port, q, RX_RING_SIZE,
            rte_eth_dev_socket_id(port), NULL, mbuf_pool);
        if (retval < 0)
            return retval;
    }

    /* Allocate and set up 1 TX queue per Ethernet port. */
    for (q = 0; q < tx_rings; q++) {
        retval = rte_eth_tx_queue_setup(port, q, TX_RING_SIZE,
            rte_eth_dev_socket_id(port), NULL);
        if (retval < 0)
            return retval;
    }

    /* Start the Ethernet port. */
    retval = rte_eth_dev_start(port);
    if (retval < 0)
        return retval;

    /* Enable RX in promiscuous mode for the Ethernet device. */
    rte_eth_promiscuous_enable(port);

    /* Add the callbacks for RX and TX. */
    rte_eth_add_rx_callback(port, 0, add_timestamps, NULL);
    rte_eth_add_tx_callback(port, 0, calc_latency, NULL);

    return 0;
}
```

The RX and TX callbacks are added to the ports/queues as function pointers:

```
rte_eth_add_rx_callback(port, 0, add_timestamps, NULL);
rte_eth_add_tx_callback(port, 0, calc_latency, NULL);
```

More than one callback can be added and additional information can be passed to callback function pointers as a `void*`. In the examples above `NULL` is used.

The `add_timestamps()` and `calc_latency()` functions are explained below.

8.3.3 The `add_timestamps()` Callback

The `add_timestamps()` callback is added to the RX port and is applied to all packets received:

```
static uint16_t
add_timestamps(uint16_t port __rte_unused, uint16_t qidx __rte_unused,
               struct rte_mbuf **pkts, uint16_t nb_pkts, void *_ __rte_unused)
{
    unsigned i;
    uint64_t now = rte_rdtsc();

    for (i = 0; i < nb_pkts; i++)
        pkts[i]->udata64 = now;

    return nb_pkts;
}
```

The DPDK function `rte_rdtsc()` is used to add a cycle count timestamp to each packet (see the *cycles* section of the *DPDK API Documentation* for details).

8.3.4 The `calc_latency()` Callback

The `calc_latency()` callback is added to the TX port and is applied to all packets prior to transmission:

```
static uint16_t
calc_latency(uint16_t port __rte_unused, uint16_t qidx __rte_unused,
             struct rte_mbuf **pkts, uint16_t nb_pkts, void *_ __rte_unused)
{
    uint64_t cycles = 0;
    uint64_t now = rte_rdtsc();
    unsigned i;

    for (i = 0; i < nb_pkts; i++)
        cycles += now - pkts[i]->udata64;

    latency_numbers.total_cycles += cycles;
    latency_numbers.total_pkts   += nb_pkts;

    if (latency_numbers.total_pkts > (100 * 1000 * 1000ULL)) {
        printf("Latency = %"PRIu64" cycles\n",
              latency_numbers.total_cycles / latency_numbers.total_pkts);

        latency_numbers.total_cycles = latency_numbers.total_pkts = 0;
    }

    return nb_pkts;
}
```


The `calc_latency()` function accumulates the total number of packets and the total number of cycles used. Once more than 100 million packets have been transmitted the average cycle count per packet is printed out and the counters are reset.

FLOW CLASSIFY SAMPLE APPLICATION

The Flow Classify sample application is based on the simple *skeleton* example of a forwarding application.

It is intended as a demonstration of the basic components of a DPDK forwarding application which uses the Flow Classify library API's.

Please refer to the `../prog_guide/flow_classify_lib` for more information.

9.1 Compiling the Application

To compile the sample application see [Compiling the Sample Applications](#).

The application is located in the `flow_classify` sub-directory.

9.2 Running the Application

To run the example in a linux environment:

```
cd ~/dpdk/examples/flow_classify
./build/flow_classify -c 4 -n 4 -- --rule_ipv4="../ipv4_rules_file.txt"
```

Please refer to the *DPDK Getting Started Guide*, section `../linux_gsg/build_sample_apps` for general information on running applications and the Environment Abstraction Layer (EAL) options.

9.3 Sample `ipv4_rules_file.txt`

```
#file format:
#src_ip/masklen dst_ip/masklen src_port : mask dst_port : mask proto/mask priority
#
2.2.2.3/24 2.2.2.7/24 32 : 0xffff 33 : 0xffff 17/0xff 0
9.9.9.3/24 9.9.9.7/24 32 : 0xffff 33 : 0xffff 17/0xff 1
9.9.9.3/24 9.9.9.7/24 32 : 0xffff 33 : 0xffff 6/0xff 2
9.9.8.3/24 9.9.8.7/24 32 : 0xffff 33 : 0xffff 6/0xff 3
6.7.8.9/24 2.3.4.5/24 32 : 0x0000 33 : 0x0000 132/0xff 4
```

9.4 Explanation

The following sections provide an explanation of the main components of the code.

All DPDK library functions used in the sample code are prefixed with `rte_` and are explained in detail in the *DPDK API Documentation*.

9.4.1 ACL field definitions for the IPv4 5 tuple rule

The following field definitions are used when creating the ACL table during initialisation of the Flow Classify application..

```
enum {
    PROTO_FIELD_IPV4,
    SRC_FIELD_IPV4,
    DST_FIELD_IPV4,
    SRCP_FIELD_IPV4,
    DSTP_FIELD_IPV4,
    NUM_FIELDS_IPV4
};

enum {
    PROTO_INPUT_IPV4,
    SRC_INPUT_IPV4,
    DST_INPUT_IPV4,
    SRCP_DESTP_INPUT_IPV4
};

static struct rte_acl_field_def ipv4_defs[NUM_FIELDS_IPV4] = {
    /* first input field - always one byte long. */
    {
        .type = RTE_ACL_FIELD_TYPE_BITMASK,
        .size = sizeof(uint8_t),
        .field_index = PROTO_FIELD_IPV4,
        .input_index = PROTO_INPUT_IPV4,
        .offset = sizeof(struct ether_hdr) +
            offsetof(struct ipv4_hdr, next_proto_id),
    },
    /* next input field (IPv4 source address) - 4 consecutive bytes. */
    {
        /* rte_flow uses a bit mask for IPv4 addresses */
        .type = RTE_ACL_FIELD_TYPE_BITMASK,
        .size = sizeof(uint32_t),
        .field_index = SRC_FIELD_IPV4,
        .input_index = SRC_INPUT_IPV4,
        .offset = sizeof(struct ether_hdr) +
            offsetof(struct ipv4_hdr, src_addr),
    },
    /* next input field (IPv4 destination address) - 4 consecutive bytes. */
    {
        /* rte_flow uses a bit mask for IPv4 addresses */
        .type = RTE_ACL_FIELD_TYPE_BITMASK,
        .size = sizeof(uint32_t),
        .field_index = DST_FIELD_IPV4,
        .input_index = DST_INPUT_IPV4,
        .offset = sizeof(struct ether_hdr) +
            offsetof(struct ipv4_hdr, dst_addr),
    },
};
/*
 * Next 2 fields (src & dst ports) form 4 consecutive bytes.
 * They share the same input index.
 */
```

```

    */
    {
        /* rte_flow uses a bit mask for protocol ports */
        .type = RTE_ACL_FIELD_TYPE_BITMASK,
        .size = sizeof(uint16_t),
        .field_index = SRCP_FIELD_IPV4,
        .input_index = SRCP_DESTP_INPUT_IPV4,
        .offset = sizeof(struct ether_hdr) +
                 sizeof(struct ipv4_hdr) +
                 offsetof(struct tcp_hdr, src_port),
    },
    {
        /* rte_flow uses a bit mask for protocol ports */
        .type = RTE_ACL_FIELD_TYPE_BITMASK,
        .size = sizeof(uint16_t),
        .field_index = DSTP_FIELD_IPV4,
        .input_index = SRCP_DESTP_INPUT_IPV4,
        .offset = sizeof(struct ether_hdr) +
                 sizeof(struct ipv4_hdr) +
                 offsetof(struct tcp_hdr, dst_port),
    },
};

```

9.4.2 The Main Function

The `main()` function performs the initialization and calls the execution threads for each lcore.

The first task is to initialize the Environment Abstraction Layer (EAL). The `argc` and `argv` arguments are provided to the `rte_eal_init()` function. The value returned is the number of parsed arguments:

```

int ret = rte_eal_init(argc, argv);
if (ret < 0)
    rte_exit(EXIT_FAILURE, "Error with EAL initialization\n");

```

It then parses the `flow_classify` application arguments

```

ret = parse_args(argc, argv);
if (ret < 0)
    rte_exit(EXIT_FAILURE, "Invalid flow_classify parameters\n");

```

The `main()` function also allocates a mempool to hold the mbufs (Message Buffers) used by the application:

```

mbuf_pool = rte_mempool_create("MBUF_POOL",
                               NUM_MBUFS * nb_ports,
                               MBUF_SIZE,
                               MBUF_CACHE_SIZE,
                               sizeof(struct rte_pktmbuf_pool_private),
                               rte_pktmbuf_pool_init, NULL,
                               rte_pktmbuf_init, NULL,
                               rte_socket_id(),
                               0);

```

mbufs are the packet buffer structure used by DPDK. They are explained in detail in the “Mbuf Library” section of the *DPDK Programmer’s Guide*.

The `main()` function also initializes all the ports using the user defined `port_init()` function which is explained in the next section:

```

RTE_ETH_FOREACH_DEV(portid) {
    if (port_init(portid, mbuf_pool) != 0) {
        rte_exit(EXIT_FAILURE,

```

```

        "Cannot init port %" PRIu8 "\n", portid);
    }
}

```

The `main()` function creates the flow classifier object and adds an ACL table to the flow classifier.

```

struct flow_classifier {
    struct rte_flow_classifier *cls;
};

struct flow_classifier_acl {
    struct flow_classifier cls;
} __rte_cache_aligned;

/* Memory allocation */
size = RTE_CACHE_LINE_ROUNDUP(sizeof(struct flow_classifier_acl));
cls_app = rte_zmalloc(NULL, size, RTE_CACHE_LINE_SIZE);
if (cls_app == NULL)
    rte_exit(EXIT_FAILURE, "Cannot allocate classifier memory\n");

cls_params.name = "flow_classifier";
cls_params.socket_id = socket_id;

cls_app->cls = rte_flow_classifier_create(&cls_params);
if (cls_app->cls == NULL) {
    rte_free(cls_app);
    rte_exit(EXIT_FAILURE, "Cannot create classifier\n");
}

/* initialise ACL table params */
table_acl_params.name = "table_acl_ipv4_5tuple";
table_acl_params.n_rule_fields = RTE_DIM(ipv4_defs);
table_acl_params.n_rules = FLOW_CLASSIFY_MAX_RULE_NUM;
memcpy(table_acl_params.field_format, ipv4_defs, sizeof(ipv4_defs));

/* initialise table create params */
cls_table_params.ops = &rte_table_acl_ops,
cls_table_params.arg_create = &table_acl_params,
cls_table_params.type = RTE_FLOW_CLASSIFY_TABLE_ACL_IP4_5TUPLE;

ret = rte_flow_classify_table_create(cls_app->cls, &cls_table_params);
if (ret) {
    rte_flow_classifier_free(cls_app->cls);
    rte_free(cls);
    rte_exit(EXIT_FAILURE, "Failed to create classifier table\n");
}

```

It then reads the `ipv4_rules_file.txt` file and initialises the parameters for the `rte_flow_classify_table_entry_add` API. This API adds a rule to the ACL table.

```

if (add_rules(parm_config.rule_ipv4_name)) {
    rte_flow_classifier_free(cls_app->cls);
    rte_free(cls_app);
    rte_exit(EXIT_FAILURE, "Failed to add rules\n");
}

```

Once the initialization is complete, the application is ready to launch a function on an lcore. In this example `lcore_main()` is called on a single lcore.

```
lcore_main(cls_app);
```

The `lcore_main()` function is explained below.

9.4.3 The Port Initialization Function

The main functional part of the port initialization used in the Basic Forwarding application is shown below:

```

static inline int
port_init(uint8_t port, struct rte_mempool *mbuf_pool)
{
    struct rte_eth_conf port_conf = port_conf_default;
    const uint16_t rx_rings = 1, tx_rings = 1;
    struct ether_addr addr;
    int retval;
    uint16_t q;

    /* Configure the Ethernet device. */
    retval = rte_eth_dev_configure(port, rx_rings, tx_rings, &port_conf);
    if (retval != 0)
        return retval;

    /* Allocate and set up 1 RX queue per Ethernet port. */
    for (q = 0; q < rx_rings; q++) {
        retval = rte_eth_rx_queue_setup(port, q, RX_RING_SIZE,
                                        rte_eth_dev_socket_id(port), NULL, mbuf_pool);
        if (retval < 0)
            return retval;
    }

    /* Allocate and set up 1 TX queue per Ethernet port. */
    for (q = 0; q < tx_rings; q++) {
        retval = rte_eth_tx_queue_setup(port, q, TX_RING_SIZE,
                                        rte_eth_dev_socket_id(port), NULL);
        if (retval < 0)
            return retval;
    }

    /* Start the Ethernet port. */
    retval = rte_eth_dev_start(port);
    if (retval < 0)
        return retval;

    /* Display the port MAC address. */
    rte_eth_macaddr_get(port, &addr);
    printf("Port %u MAC: %02" PRIx8 " %02" PRIx8 " %02" PRIx8
           " %02" PRIx8 " %02" PRIx8 " %02" PRIx8 "\n",
           port,
           addr.addr_bytes[0], addr.addr_bytes[1],
           addr.addr_bytes[2], addr.addr_bytes[3],
           addr.addr_bytes[4], addr.addr_bytes[5]);

    /* Enable RX in promiscuous mode for the Ethernet device. */
    rte_eth_promiscuous_enable(port);

    return 0;
}

```

The Ethernet ports are configured with default settings using the `rte_eth_dev_configure()` function and the `port_conf_default` struct.

```

static const struct rte_eth_conf port_conf_default = {
    .rxmode = { .max_rx_pkt_len = ETHER_MAX_LEN }
};

```

For this example the ports are set up with 1 RX and 1 TX queue using the `rte_eth_rx_queue_setup()` and `rte_eth_tx_queue_setup()` functions.

The Ethernet port is then started:

```
retval = rte_eth_dev_start(port);
```

Finally the RX port is set in promiscuous mode:

```
rte_eth_promiscuous_enable(port);
```

9.4.4 The Add Rules function

The `add_rules` function reads the `ipv4_rules_file.txt` file and calls the `add_classify_rule` function which calls the `rte_flow_classify_table_entry_add` API.

```
static int
add_rules(const char *rule_path)
{
    FILE *fh;
    char buff[LINE_MAX];
    unsigned int i = 0;
    unsigned int total_num = 0;
    struct rte_eth_ntuple_filter ntuple_filter;

    fh = fopen(rule_path, "rb");
    if (fh == NULL)
        rte_exit(EXIT_FAILURE, "%s: Open %s failed\n", __func__,
                rule_path);

    fseek(fh, 0, SEEK_SET);

    i = 0;
    while (fgets(buff, LINE_MAX, fh) != NULL) {
        i++;

        if (is_bypass_line(buff))
            continue;

        if (total_num >= FLOW_CLASSIFY_MAX_RULE_NUM - 1) {
            printf("\nINFO: classify rule capacity %d reached\n",
                    total_num);
            break;
        }

        if (parse_ipv4_5tuple_rule(buff, &ntuple_filter) != 0)
            rte_exit(EXIT_FAILURE,
                    "%s Line %u: parse rules error\n",
                    rule_path, i);

        if (add_classify_rule(&ntuple_filter) != 0)
            rte_exit(EXIT_FAILURE, "add rule error\n");

        total_num++;
    }

    fclose(fh);
    return 0;
}
```

9.4.5 The Lcore Main function

As we saw above the `main()` function calls an application function on the available lcores. The `lcore_main` function calls the `rte_flow_classifier_query` API. For the Basic Forwarding application the `lcore_main` function looks like the following:

```

/* flow classify data */
static int num_classify_rules;
static struct rte_flow_classify_rule *rules[MAX_NUM_CLASSIFY];
static struct rte_flow_classify_ipv4_5tuple_stats ntuple_stats;
static struct rte_flow_classify_stats classify_stats = {
    .stats = (void *)&ntuple_stats
};

static __attribute__((noreturn)) void
lcore_main(cls_app)
{
    uint16_t port;

    /*
     * Check that the port is on the same NUMA node as the polling thread
     * for best performance.
     */
    RTE_ETH_FOREACH_DEV(port)
        if (rte_eth_dev_socket_id(port) > 0 &&
            rte_eth_dev_socket_id(port) != (int)rte_socket_id()) {
            printf("\n\n");
            printf("WARNING: port %u is on remote NUMA node\n",
                port);
            printf("to polling thread.\n");
            printf("Performance will not be optimal.\n");

            printf("\nCore %u forwarding packets. \n",
                rte_lcore_id());
            printf("[Ctrl+C to quit]\n");
        }

    /* Run until the application is quit or killed. */
    for (;;) {
        /*
         * Receive packets on a port and forward them on the paired
         * port. The mapping is 0 -> 1, 1 -> 0, 2 -> 3, 3 -> 2, etc.
         */
        RTE_ETH_FOREACH_DEV(port) {

            /* Get burst of RX packets, from first port of pair. */
            struct rte_mbuf *bufs[BURST_SIZE];
            const uint16_t nb_rx = rte_eth_rx_burst(port, 0,
                bufs, BURST_SIZE);

            if (unlikely(nb_rx == 0))
                continue;

            for (i = 0; i < MAX_NUM_CLASSIFY; i++) {
                if (rules[i]) {
                    ret = rte_flow_classifier_query(
                        cls_app->cls,
                        bufs, nb_rx, rules[i],
                        &classify_stats);
                    if (ret)
                        printf(
                            "rule [%d] query failed ret [%d]\n\n",
                            i, ret);
                }
            }
        }
    }
}

```



```

        else {
            printf(
                "rule[%d] count=%"PRIu64"\n",
                i, ntuple_stats.counter1);

            printf("proto = %d\n",
                ntuple_stats.ipv4_5tuple.proto);
        }
    }
}

/* Send burst of TX packets, to second port of pair. */
const uint16_t nb_tx = rte_eth_tx_burst(port ^ 1, 0,
    bufs, nb_rx);

/* Free any unsend packets. */
if (unlikely(nb_tx < nb_rx)) {
    uint16_t buf;
    for (buf = nb_tx; buf < nb_rx; buf++)
        rte_pktmbuf_free(bufs[buf]);
}
}
}
}

```

The main work of the application is done within the loop:

```

for (;;) {
    RTE_ETH_FOREACH_DEV(port) {

        /* Get burst of RX packets, from first port of pair. */
        struct rte_mbuf *bufs[BURST_SIZE];
        const uint16_t nb_rx = rte_eth_rx_burst(port, 0,
            bufs, BURST_SIZE);

        if (unlikely(nb_rx == 0))
            continue;

        /* Send burst of TX packets, to second port of pair. */
        const uint16_t nb_tx = rte_eth_tx_burst(port ^ 1, 0,
            bufs, nb_rx);

        /* Free any unsend packets. */
        if (unlikely(nb_tx < nb_rx)) {
            uint16_t buf;
            for (buf = nb_tx; buf < nb_rx; buf++)
                rte_pktmbuf_free(bufs[buf]);
        }
    }
}

```

Packets are received in bursts on the RX ports and transmitted in bursts on the TX ports. The ports are grouped in pairs with a simple mapping scheme using the an XOR on the port number:

```

0 -> 1
1 -> 0

2 -> 3
3 -> 2

etc.

```

The `rte_eth_tx_burst()` function frees the memory buffers of packets that are transmitted. If packets fail to transmit, (`nb_tx < nb_rx`), then they must be freed explicitly using `rte_pktmbuf_free()`.

The forwarding loop can be interrupted and the application closed using `Ctrl-C`.

BASIC RTE FLOW FILTERING SAMPLE APPLICATION

The Basic RTE flow filtering sample application is a simple example of a creating a RTE flow rule.

It is intended as a demonstration of the basic components RTE flow rules.

10.1 Compiling the Application

To compile the application export the path to the DPDK source tree and go to the example directory:

```
export RTE_SDK=/path/to/rte_sdk
cd ${RTE_SDK}/examples/flow_filtering
```

Set the target, for example:

```
export RTE_TARGET=x86_64-native-linux-gcc
```

See the *DPDK Getting Started Guide* for possible `RTE_TARGET` values.

Build the application as follows:

```
make
```

10.2 Running the Application

To run the example in a `linux` environment:

```
./build/flow -l 1 -n 1
```

Refer to *DPDK Getting Started Guide* for general information on running applications and the Environment Abstraction Layer (EAL) options.

10.3 Explanation

The example is built from 2 files, `main.c` which holds the example logic and `flow_blocks.c` that holds the implementation for building the flow rule.

The following sections provide an explanation of the main components of the code.

All DPDK library functions used in the sample code are prefixed with `rte_` and are explained in detail in the *DPDK API Documentation*.

10.3.1 The Main Function

The `main()` function located in `main.c` file performs the initialization and runs the main loop function.

The first task is to initialize the Environment Abstraction Layer (EAL). The `argc` and `argv` arguments are provided to the `rte_eal_init()` function. The value returned is the number of parsed arguments:

```
int ret = rte_eal_init(argc, argv);
if (ret < 0)
    rte_exit(EXIT_FAILURE, "Error with EAL initialization\n");
```

The `main()` also allocates a mempool to hold the mbufs (Message Buffers) used by the application:

```
mbuf_pool = rte_pktmbuf_pool_create("mbuf_pool", 4096, 128, 0,
                                    RTE_MBUF_DEFAULT_BUF_SIZE,
                                    rte_socket_id());
```

Mbufs are the packet buffer structure used by DPDK. They are explained in detail in the “Mbuf Library” section of the *DPDK Programmer’s Guide*.

The `main()` function also initializes all the ports using the user defined `init_port()` function which is explained in the next section:

```
init_port();
```

Once the initialization is complete, we set the flow rule using the following code:

```
/* create flow for send packet with */
flow = generate_ipv4_flow(port_id, selected_queue,
                          SRC_IP, EMPTY_MASK,
                          DEST_IP, FULL_MASK, &error);

if (!flow) {
    printf("Flow can't be created %d message: %s\n",
           error.type,
           error.message ? error.message : "(no stated reason)");
    rte_exit(EXIT_FAILURE, "error in creating flow");
}
```

In the last part the application is ready to launch the `main_loop()` function. Which is explained below.

```
main_loop();
```

10.3.2 The Port Initialization Function

The main functional part of the port initialization used in the flow filtering application is shown below:

```
init_port(void)
{
    int ret;
    uint16_t i;
    struct rte_eth_conf port_conf = {
        .rxmode = {
            .split_hdr_size = 0,
        },
        .txmode = {
            .offloads =
                DEV_TX_OFFLOAD_VLAN_INSERT |
```

```

        DEV_TX_OFFLOAD_IPV4_CKSUM |
        DEV_TX_OFFLOAD_UDP_CKSUM |
        DEV_TX_OFFLOAD_TCP_CKSUM |
        DEV_TX_OFFLOAD_SCTP_CKSUM |
        DEV_TX_OFFLOAD_TCP_TSO,
    },
};
struct rte_eth_txconf txq_conf;
struct rte_eth_rxconf rxq_conf;
struct rte_eth_dev_info dev_info;

printf(":: initializing port: %d\n", port_id);
ret = rte_eth_dev_configure(port_id,
    nr_queues, nr_queues, &port_conf);
if (ret < 0) {
    rte_exit(EXIT_FAILURE,
        ":: cannot configure device: err=%d, port=%u\n",
        ret, port_id);
}

rte_eth_dev_info_get(port_id, &dev_info);
rxq_conf = dev_info.default_rxconf;
rxq_conf.offloads = port_conf.rxmode.offloads;
/* only set Rx queues: something we care only so far */
for (i = 0; i < nr_queues; i++) {
    ret = rte_eth_rx_queue_setup(port_id, i, 512,
        rte_eth_dev_socket_id(port_id),
        &rxq_conf,
        mbuf_pool);
    if (ret < 0) {
        rte_exit(EXIT_FAILURE,
            ":: Rx queue setup failed: err=%d, port=%u\n",
            ret, port_id);
    }
}

txq_conf = dev_info.default_txconf;
txq_conf.offloads = port_conf.txmode.offloads;

for (i = 0; i < nr_queues; i++) {
    ret = rte_eth_tx_queue_setup(port_id, i, 512,
        rte_eth_dev_socket_id(port_id),
        &txq_conf);
    if (ret < 0) {
        rte_exit(EXIT_FAILURE,
            ":: Tx queue setup failed: err=%d, port=%u\n",
            ret, port_id);
    }
}

rte_eth_promiscuous_enable(port_id);
ret = rte_eth_dev_start(port_id);
if (ret < 0) {
    rte_exit(EXIT_FAILURE,
        "rte_eth_dev_start:err=%d, port=%u\n",
        ret, port_id);
}

assert_link_status();

printf(":: initializing port: %d done\n", port_id);
}

```

The Ethernet port is configured with default settings using the `rte_eth_dev_configure()` function and the `port_conf_default` struct:

```

struct rte_eth_conf port_conf = {
    .rxmode = {
        .split_hdr_size = 0,
    },
    .txmode = {
        .offloads =
            DEV_TX_OFFLOAD_VLAN_INSERT |
            DEV_TX_OFFLOAD_IPV4_CKSUM |
            DEV_TX_OFFLOAD_UDP_CKSUM |
            DEV_TX_OFFLOAD_TCP_CKSUM |
            DEV_TX_OFFLOAD_SCTP_CKSUM |
            DEV_TX_OFFLOAD_TCP_TSO,
    },
};

ret = rte_eth_dev_configure(port_id, nr_queues, nr_queues, &port_conf);
if (ret < 0) {
    rte_exit(EXIT_FAILURE,
        ">:: cannot configure device: err=%d, port=%u\n",
        ret, port_id);
}
rte_eth_dev_info_get(port_id, &dev_info);
rxq_conf = dev_info.default_rxconf;
rxq_conf.offloads = port_conf.rxmode.offloads;

```

For this example we are configuring number of rx and tx queues that are connected to a single port.

```

for (i = 0; i < nr_queues; i++) {
    ret = rte_eth_rx_queue_setup(port_id, i, 512,
                                rte_eth_dev_socket_id(port_id),
                                &rxq_conf,
                                mbuf_pool);

    if (ret < 0) {
        rte_exit(EXIT_FAILURE,
            ">:: Rx queue setup failed: err=%d, port=%u\n",
            ret, port_id);
    }
}

for (i = 0; i < nr_queues; i++) {
    ret = rte_eth_tx_queue_setup(port_id, i, 512,
                                rte_eth_dev_socket_id(port_id),
                                &txq_conf);

    if (ret < 0) {
        rte_exit(EXIT_FAILURE,
            ">:: Tx queue setup failed: err=%d, port=%u\n",
            ret, port_id);
    }
}

```

In the next step we create and apply the flow rule. which is to send packets with destination ip equals to 192.168.1.1 to queue number 1. The detail explanation of the `generate_ipv4_flow()` appears later in this document:

```

flow = generate_ipv4_flow(port_id, selected_queue,
                          SRC_IP, EMPTY_MASK,
                          DEST_IP, FULL_MASK, &error);

```

We are setting the RX port to promiscuous mode:

```
rte_eth_promiscuous_enable(port_id);
```

The last step is to start the port.

```
ret = rte_eth_dev_start(port_id);
if (ret < 0) {
    rte_exit(EXIT_FAILURE, "rte_eth_dev_start:err%d, port=%u\n",
             ret, port_id);
}
```

10.3.3 The main_loop function

As we saw above the `main()` function calls an application function to handle the main loop. For the flow filtering application the `main_loop` function looks like the following:

```
static void
main_loop(void)
{
    struct rte_mbuf *mbufs[32];
    struct ether_hdr *eth_hdr;
    uint16_t nb_rx;
    uint16_t i;
    uint16_t j;

    while (!force_quit) {
        for (i = 0; i < nr_queues; i++) {
            nb_rx = rte_eth_rx_burst(port_id,
                                    i, mbufs, 32);

            if (nb_rx) {
                for (j = 0; j < nb_rx; j++) {
                    struct rte_mbuf *m = mbufs[j];

                    eth_hdr = rte_pktmbuf_mtod(m,
                                                struct ether_hdr *);
                    print_ether_addr("src=",
                                    &eth_hdr->s_addr);
                    print_ether_addr(" - dst=",
                                    &eth_hdr->d_addr);
                    printf(" - queue=0x%x",
                           (unsigned int)i);
                    printf("\n");
                    rte_pktmbuf_free(m);
                }
            }
        }
        /* closing and releasing resources */
        rte_flow_flush(port_id, &error);
        rte_eth_dev_stop(port_id);
        rte_eth_dev_close(port_id);
    }
}
```

The main work of the application is reading the packets from all queues and printing for each packet the destination queue:

```
while (!force_quit) {
    for (i = 0; i < nr_queues; i++) {
        nb_rx = rte_eth_rx_burst(port_id, i, mbufs, 32);
        if (nb_rx) {
            for (j = 0; j < nb_rx; j++) {
                struct rte_mbuf *m = mbufs[j];
                eth_hdr = rte_pktmbuf_mtod(m, struct ether_hdr *);
            }
        }
    }
}
```

```

        print_ether_addr("src=", &eth_hdr->s_addr);
        print_ether_addr(" - dst=", &eth_hdr->d_addr);
        printf(" - queue=0x%x", (unsigned int)i);
        printf("\n");
        rte_pktmbuf_free(m);
    }
}
}

```

The forwarding loop can be interrupted and the application closed using Ctrl-C. Which results in closing the port and the device using `rte_eth_dev_stop` and `rte_eth_dev_close`

10.3.4 The `generate_ipv4_flow` function

The `generate_ipv4_flow` function is responsible for creating the flow rule. This function is located in the `flow_blocks.c` file.

```

static struct rte_flow *
generate_ipv4_flow(uint8_t port_id, uint16_t rx_q,
                  uint32_t src_ip, uint32_t src_mask,
                  uint32_t dest_ip, uint32_t dest_mask,
                  struct rte_flow_error *error)
{
    struct rte_flow_attr attr;
    struct rte_flow_item pattern[MAX_PATTERN_NUM];
    struct rte_flow_action action[MAX_ACTION_NUM];
    struct rte_flow *flow = NULL;
    struct rte_flow_action_queue queue = { .index = rx_q };
    struct rte_flow_item_ipv4 ip_spec;
    struct rte_flow_item_ipv4 ip_mask;

    memset(pattern, 0, sizeof(pattern));
    memset(action, 0, sizeof(action));

    /*
     * set the rule attribute.
     * in this case only ingress packets will be checked.
     */
    memset(&attr, 0, sizeof(struct rte_flow_attr));
    attr.ingress = 1;

    /*
     * create the action sequence.
     * one action only, move packet to queue
     */
    action[0].type = RTE_FLOW_ACTION_TYPE_QUEUE;
    action[0].conf = &queue;
    action[1].type = RTE_FLOW_ACTION_TYPE_END;

    /*
     * set the first level of the pattern (ETH).
     * since in this example we just want to get the
     * ipv4 we set this level to allow all.
     */
    pattern[0].type = RTE_FLOW_ITEM_TYPE_ETH;

    /*
     * setting the second level of the pattern (IP).
     * in this example this is the level we care about
     * so we set it according to the parameters.
     */
}

```



```

memset(&ip_spec, 0, sizeof(struct rte_flow_item_ipv4));
memset(&ip_mask, 0, sizeof(struct rte_flow_item_ipv4));
ip_spec.hdr.dst_addr = htonl(dest_ip);
ip_mask.hdr.dst_addr = dest_mask;
ip_spec.hdr.src_addr = htonl(src_ip);
ip_mask.hdr.src_addr = src_mask;
pattern[1].type = RTE_FLOW_ITEM_TYPE_IPV4;
pattern[1].spec = &ip_spec;
pattern[1].mask = &ip_mask;

/* the final level must be always type end */
pattern[2].type = RTE_FLOW_ITEM_TYPE_END;

int res = rte_flow_validate(port_id, &attr, pattern, action, error);
if(!res)
    flow = rte_flow_create(port_id, &attr, pattern, action, error);

return flow;
}

```

The first part of the function is declaring the structures that will be used.

```

struct rte_flow_attr attr;
struct rte_flow_item pattern[MAX_PATTERN_NUM];
struct rte_flow_action action[MAX_ACTION_NUM];
struct rte_flow *flow;
struct rte_flow_error error;
struct rte_flow_action_queue queue = { .index = rx_q };
struct rte_flow_item_ipv4 ip_spec;
struct rte_flow_item_ipv4 ip_mask;

```

The following part create the flow attributes, in our case ingress.

```

memset(&attr, 0, sizeof(struct rte_flow_attr));
attr.ingress = 1;

```

The third part defines the action to be taken when a packet matches the rule. In this case send the packet to queue.

```

action[0].type = RTE_FLOW_ACTION_TYPE_QUEUE;
action[0].conf = &queue;
action[1].type = RTE_FLOW_ACTION_TYPE_END;

```

The fourth part is responsible for creating the pattern and is built from number of steps. In each step we build one level of the pattern starting with the lowest one.

Setting the first level of the pattern ETH:

```

pattern[0].type = RTE_FLOW_ITEM_TYPE_ETH;

```

Setting the second level of the pattern IP:

```

memset(&ip_spec, 0, sizeof(struct rte_flow_item_ipv4));
memset(&ip_mask, 0, sizeof(struct rte_flow_item_ipv4));
ip_spec.hdr.dst_addr = htonl(dest_ip);
ip_mask.hdr.dst_addr = dest_mask;
ip_spec.hdr.src_addr = htonl(src_ip);
ip_mask.hdr.src_addr = src_mask;
pattern[1].type = RTE_FLOW_ITEM_TYPE_IPV4;
pattern[1].spec = &ip_spec;
pattern[1].mask = &ip_mask;

```

Closing the pattern part.

```

pattern[2].type = RTE_FLOW_ITEM_TYPE_END;

```

The last part of the function is to validate the rule and create it.

```
int res = rte_flow_validate(port_id, &attr, pattern, action, &error);  
if (!res)  
    flow = rte_flow_create(port_id, &attr, pattern, action, &error);
```

IP FRAGMENTATION SAMPLE APPLICATION

The IPv4 Fragmentation application is a simple example of packet processing using the Data Plane Development Kit (DPDK). The application does L3 forwarding with IPv4 and IPv6 packet fragmentation.

11.1 Overview

The application demonstrates the use of zero-copy buffers for packet fragmentation. The initialization and run-time paths are very similar to those of the [L2 Forwarding Sample Application \(in Real and Virtualized Environments\)](#). This guide highlights the differences between the two applications.

There are three key differences from the L2 Forwarding sample application:

- The first difference is that the IP Fragmentation sample application makes use of indirect buffers.
- The second difference is that the forwarding decision is taken based on information read from the input packet's IP header.
- The third difference is that the application differentiates between IP and non-IP traffic by means of offload flags.

The Longest Prefix Match (LPM for IPv4, LPM6 for IPv6) table is used to store/lookup an outgoing port number, associated with that IP address. Any unmatched packets are forwarded to the originating port.

By default, input frame sizes up to 9.5 KB are supported. Before forwarding, the input IP packet is fragmented to fit into the “standard” Ethernet* v2 MTU (1500 bytes).

11.2 Compiling the Application

To compile the sample application see [Compiling the Sample Applications](#).

The application is located in the `ip_fragmentation` sub-directory.

11.3 Running the Application

The LPM object is created and loaded with the pre-configured entries read from global `l3fwd_ipv4_route_array` and `l3fwd_ipv6_route_array` tables. For each input packet, the packet

forwarding decision (that is, the identification of the output interface for the packet) is taken as a result of LPM lookup. If the IP packet size is greater than default output MTU, then the input packet is fragmented and several fragments are sent via the output interface.

Application usage:

```
./build/ip_fragmentation [EAL options] -- -p PORTMASK [-q NQ]
```

where:

- -p PORTMASK is a hexadecimal bitmask of ports to configure
- -q NQ is the number of queue (=ports) per lcore (the default is 1)

To run the example in linux environment with 2 lcores (2,4) over 2 ports(0,2) with 1 RX queue per lcore:

```
./build/ip_fragmentation -l 2,4 -n 3 -- -p 5
EAL: coremask set to 14
EAL: Detected lcore 0 on socket 0
EAL: Detected lcore 1 on socket 1
EAL: Detected lcore 2 on socket 0
EAL: Detected lcore 3 on socket 1
EAL: Detected lcore 4 on socket 0
...

Initializing port 0 on lcore 2... Address:00:1B:21:76:FA:2C, rxq=0 txq=2,0 txq=4,1
done: Link Up - speed 10000 Mbps - full-duplex
Skipping disabled port 1
Initializing port 2 on lcore 4... Address:00:1B:21:5C:FF:54, rxq=0 txq=2,0 txq=4,1
done: Link Up - speed 10000 Mbps - full-duplex
Skipping disabled port 3
IP_FRAG: Socket 0: adding route 100.10.0.0/16 (port 0)
IP_FRAG: Socket 0: adding route 100.20.0.0/16 (port 1)
...
IP_FRAG: Socket 0: adding route 0101:0101:0101:0101:0101:0101:0101:0101/48 (port 0)
IP_FRAG: Socket 0: adding route 0201:0101:0101:0101:0101:0101:0101:0101/48 (port 1)
...
IP_FRAG: entering main loop on lcore 4
IP_FRAG: -- lcoreid=4 portid=2
IP_FRAG: entering main loop on lcore 2
IP_FRAG: -- lcoreid=2 portid=0
```

To run the example in linux environment with 1 lcore (4) over 2 ports(0,2) with 2 RX queues per lcore:

```
./build/ip_fragmentation -l 4 -n 3 -- -p 5 -q 2
```

To test the application, flows should be set up in the flow generator that match the values in the l3fwd_ipv4_route_array and/or l3fwd_ipv6_route_array table.

The default l3fwd_ipv4_route_array table is:

```
struct l3fwd_ipv4_route l3fwd_ipv4_route_array[] = {
    {IPv4(100, 10, 0, 0), 16, 0},
    {IPv4(100, 20, 0, 0), 16, 1},
    {IPv4(100, 30, 0, 0), 16, 2},
    {IPv4(100, 40, 0, 0), 16, 3},
    {IPv4(100, 50, 0, 0), 16, 4},
    {IPv4(100, 60, 0, 0), 16, 5},
    {IPv4(100, 70, 0, 0), 16, 6},
    {IPv4(100, 80, 0, 0), 16, 7},
};
```

The default l3fwd_ipv6_route_array table is:

```
struct l3fwd_ipv6_route l3fwd_ipv6_route_array[] = {
    {{1, 1, 1, 1, 1, 1, 1, 1, 1, 1, 1, 1, 1, 1, 1}, 48, 0},
    {{2, 1, 1, 1, 1, 1, 1, 1, 1, 1, 1, 1, 1, 1, 1}, 48, 1},
    {{3, 1, 1, 1, 1, 1, 1, 1, 1, 1, 1, 1, 1, 1, 1}, 48, 2},
    {{4, 1, 1, 1, 1, 1, 1, 1, 1, 1, 1, 1, 1, 1, 1}, 48, 3},
    {{5, 1, 1, 1, 1, 1, 1, 1, 1, 1, 1, 1, 1, 1, 1}, 48, 4},
    {{6, 1, 1, 1, 1, 1, 1, 1, 1, 1, 1, 1, 1, 1, 1}, 48, 5},
    {{7, 1, 1, 1, 1, 1, 1, 1, 1, 1, 1, 1, 1, 1, 1}, 48, 6},
    {{8, 1, 1, 1, 1, 1, 1, 1, 1, 1, 1, 1, 1, 1, 1}, 48, 7},
};
```

For example, for the input IPv4 packet with destination address: 100.10.1.1 and packet length 9198 bytes, seven IPv4 packets will be sent out from port #0 to the destination address 100.10.1.1: six of those packets will have length 1500 bytes and one packet will have length 318 bytes. IP Fragmentation sample application provides basic NUMA support in that all the memory structures are allocated on all sockets that have active lcores on them.

Refer to the *DPDK Getting Started Guide* for general information on running applications and the Environment Abstraction Layer (EAL) options.

IPV4 MULTICAST SAMPLE APPLICATION

The IPv4 Multicast application is a simple example of packet processing using the Data Plane Development Kit (DPDK). The application performs L3 multicasting.

12.1 Overview

The application demonstrates the use of zero-copy buffers for packet forwarding. The initialization and run-time paths are very similar to those of the [L2 Forwarding Sample Application \(in Real and Virtualized Environments\)](#). This guide highlights the differences between the two applications. There are two key differences from the L2 Forwarding sample application:

- The IPv4 Multicast sample application makes use of indirect buffers.
- The forwarding decision is taken based on information read from the input packet's IPv4 header.

The lookup method is the Four-byte Key (FBK) hash-based method. The lookup table is composed of pairs of destination IPv4 address (the FBK) and a port mask associated with that IPv4 address.

Note: The max port mask supported in the given hash table is 0xf, so only first four ports can be supported. If using non-consecutive ports, use the destination IPv4 address accordingly.

For convenience and simplicity, this sample application does not take IANA-assigned multicast addresses into account, but instead equates the last four bytes of the multicast group (that is, the last four bytes of the destination IP address) with the mask of ports to multicast packets to. Also, the application does not consider the Ethernet addresses; it looks only at the IPv4 destination address for any given packet.

12.2 Compiling the Application

To compile the sample application see [Compiling the Sample Applications](#).

The application is located in the `ipv4_multicast` sub-directory.

12.3 Running the Application

The application has a number of command line options:

```
./build/ipv4_multicast [EAL options] -- -p PORTMASK [-q NQ]
```

where,

- -p PORTMASK: Hexadecimal bitmask of ports to configure
- -q NQ: determines the number of queues per lcore

Note: Unlike the basic L2/L3 Forwarding sample applications, NUMA support is not provided in the IPv4 Multicast sample application.

Typically, to run the IPv4 Multicast sample application, issue the following command (as root):

```
./build/ipv4_multicast -l 0-3 -n 3 -- -p 0x3 -q 1
```

In this command:

- The -l option enables cores 0, 1, 2 and 3
- The -n option specifies 3 memory channels
- The -p option enables ports 0 and 1
- The -q option assigns 1 queue to each lcore

Refer to the *DPDK Getting Started Guide* for general information on running applications and the Environment Abstraction Layer (EAL) options.

12.4 Explanation

The following sections provide some explanation of the code. As mentioned in the overview section, the initialization and run-time paths are very similar to those of the [L2 Forwarding Sample Application \(in Real and Virtualized Environments\)](#). The following sections describe aspects that are specific to the IPv4 Multicast sample application.

12.4.1 Memory Pool Initialization

The IPv4 Multicast sample application uses three memory pools. Two of the pools are for indirect buffers used for packet duplication purposes. Memory pools for indirect buffers are initialized differently from the memory pool for direct buffers:

```
packet_pool = rte_pktmbuf_pool_create("packet_pool", NB_PKT_MBUF, 32,
                                     0, PKT_MBUF_DATA_SIZE, rte_socket_id());
header_pool = rte_pktmbuf_pool_create("header_pool", NB_HDR_MBUF, 32,
                                     0, HDR_MBUF_DATA_SIZE, rte_socket_id());
clone_pool = rte_pktmbuf_pool_create("clone_pool", NB_CLONE_MBUF, 32,
                                     0, 0, rte_socket_id());
```

The reason for this is because indirect buffers are not supposed to hold any packet data and therefore can be initialized with lower amount of reserved memory for each buffer.

12.4.2 Hash Initialization

The hash object is created and loaded with the pre-configured entries read from a global array:

```

static int

init_mcast_hash(void)
{
    uint32_t i;
    mcast_hash_params.socket_id = rte_socket_id();

    mcast_hash = rte_fbk_hash_create(&mcast_hash_params);
    if (mcast_hash == NULL) {
        return -1;
    }

    for (i = 0; i < N_MCAST_GROUPS; i ++){
        if (rte_fbk_hash_add_key(mcast_hash, mcast_group_table[i].ip, mcast_group_table[i].port) != 0)
            return -1;
    }
    return 0;
}

```

12.4.3 Forwarding

All forwarding is done inside the `mcast_forward()` function. Firstly, the Ethernet* header is removed from the packet and the IPv4 address is extracted from the IPv4 header:

```

/* Remove the Ethernet header from the input packet */

iphdr = (struct ipv4_hdr *)rte_pktmbuf_adj(m, sizeof(struct ether_hdr));
RTE_ASSERT(iphdr != NULL);
dest_addr = rte_be_to_cpu_32(iphdr->dst_addr);

```

Then, the packet is checked to see if it has a multicast destination address and if the routing table has any ports assigned to the destination address:

```

if (!IS_IPV4_MCAST(dest_addr) ||
    (hash = rte_fbk_hash_lookup(mcast_hash, dest_addr)) <= 0 ||
    (port_mask = hash & enabled_port_mask) == 0) {
    rte_pktmbuf_free(m);
    return;
}

```

Then, the number of ports in the destination portmask is calculated with the help of the `bitcnt()` function:

```

/* Get number of bits set. */

static inline uint32_t bitcnt(uint32_t v)
{
    uint32_t n;

    for (n = 0; v != 0; v &= v - 1, n++)
        ;
    return n;
}

```

This is done to determine which forwarding algorithm to use. This is explained in more detail in the next section.

Thereafter, a destination Ethernet address is constructed:

```

/* construct destination Ethernet address */

dst_eth_addr = ETHER_ADDR_FOR_IPV4_MCAST(dest_addr);

```


Since Ethernet addresses are also part of the multicast process, each outgoing packet carries the same destination Ethernet address. The destination Ethernet address is constructed from the lower 23 bits of the multicast group OR-ed with the Ethernet address 01:00:5e:00:00:00, as per RFC 1112:

```
#define ETHER_ADDR_FOR_IPV4_MCAST(x) \
    (rte_cpu_to_be_64(0x01005e000000ULL | ((x) & 0x7ffffff) >> 16))
```

Then, packets are dispatched to the destination ports according to the portmask associated with a multicast group:

```
for (port = 0; use_clone != port_mask; port_mask >>= 1, port++) {
    /* Prepare output packet and send it out. */

    if ((port_mask & 1) != 0) {
        if (likely ((mc = mcast_out_pkt(m, use_clone)) != NULL))
            mcast_send_pkt(mc, &dst_eth_addr.as_addr, qconf, port);
        else if (use_clone == 0)
            rte_pktmbuf_free(m);
    }
}
```

The actual packet transmission is done in the `mcast_send_pkt()` function:

```
static inline void mcast_send_pkt(struct rte_mbuf *pkt, struct ether_addr *dest_addr, struct l
{
    struct ether_hdr *ethdr;
    uint16_t len;

    /* Construct Ethernet header. */

    ethdr = (struct ether_hdr *)rte_pktmbuf_prepend(pkt, (uint16_t) sizeof(*ethdr));

    RTE_ASSERT(ethdr != NULL);

    ether_addr_copy(dest_addr, &ethdr->d_addr);
    ether_addr_copy(&ports_eth_addr[port], &ethdr->s_addr);
    ethdr->ether_type = rte_be_to_cpu_16(ETHER_TYPE_IPv4);

    /* Put new packet into the output queue */

    len = qconf->tx_mbufs[port].len;
    qconf->tx_mbufs[port].m_table[len] = pkt;
    qconf->tx_mbufs[port].len = ++len;

    /* Transmit packets */

    if (unlikely(MAX_PKT_BURST == len))
        send_burst(qconf, port);
}
```

12.4.4 Buffer Cloning

This is the most important part of the application since it demonstrates the use of zero-copy buffer cloning. There are two approaches for creating the outgoing packet and although both are based on the data zero-copy idea, there are some differences in the detail.

The first approach creates a clone of the input packet, for example, walk through all segments of the input packet and for each of segment, create a new buffer and attach that new buffer to the segment (refer to `rte_pktmbuf_clone()` in the `rte_mbuf` library for more details). A new buffer is then allocated for the packet header and is prepended to the cloned buffer.

The second approach does not make a clone, it just increments the reference counter for all input packet segment, allocates a new buffer for the packet header and prepends it to the input packet.

Basically, the first approach reuses only the input packet's data, but creates its own copy of packet's metadata. The second approach reuses both input packet's data and metadata.

The advantage of first approach is that each outgoing packet has its own copy of the metadata, so we can safely modify the data pointer of the input packet. That allows us to skip creation if the output packet is for the last destination port and instead modify input packet's header in place. For example, for N destination ports, we need to invoke `mcast_out_pkt()` (N-1) times.

The advantage of the second approach is that there is less work to be done for each outgoing packet, that is, the "clone" operation is skipped completely. However, there is a price to pay. The input packet's metadata must remain intact, so for N destination ports, we need to invoke `mcast_out_pkt()` (N) times.

Therefore, for a small number of outgoing ports (and segments in the input packet), first approach is faster. As the number of outgoing ports (and/or input segments) grows, the second approach becomes more preferable.

Depending on the number of segments or the number of ports in the outgoing portmask, either the first (with cloning) or the second (without cloning) approach is taken:

```
use_clone = (port_num <= MCAST_CLONE_PORTS && m->pkt.nb_segs <= MCAST_CLONE_SEGS);
```

It is the `mcast_out_pkt()` function that performs the packet duplication (either with or without actually cloning the buffers):

```
static inline struct rte_mbuf *mcast_out_pkt(struct rte_mbuf *pkt, int use_clone)
{
    struct rte_mbuf *hdr;

    /* Create new mbuf for the header. */

    if (unlikely ((hdr = rte_pktmbuf_alloc(header_pool)) == NULL))
        return NULL;

    /* If requested, then make a new clone packet. */

    if (use_clone != 0 && unlikely ((pkt = rte_pktmbuf_clone(pkt, clone_pool)) == NULL)) {
        rte_pktmbuf_free(hdr);
        return NULL;
    }

    /* prepend new header */

    hdr->pkt.next = pkt;

    /* update header's fields */

    hdr->pkt.pkt_len = (uint16_t)(hdr->pkt.data_len + pkt->pkt.pkt_len);
    hdr->pkt.nb_segs = pkt->pkt.nb_segs + 1;

    /* copy metadata from source packet */

    hdr->pkt.in_port = pkt->pkt.in_port;
    hdr->pkt.vlan_macip = pkt->pkt.vlan_macip;
    hdr->pkt.hash = pkt->pkt.hash;
    rte_mbuf_sanity_check(hdr, RTE_MBUF_PKT, 1);
}
```

```
    return hdr;  
}
```

IP REASSEMBLY SAMPLE APPLICATION

The L3 Forwarding application is a simple example of packet processing using the DPDK. The application performs L3 forwarding with reassembly for fragmented IPv4 and IPv6 packets.

13.1 Overview

The application demonstrates the use of the DPDK libraries to implement packet forwarding with reassembly for IPv4 and IPv6 fragmented packets. The initialization and run-time paths are very similar to those of the [L2 Forwarding Sample Application \(in Real and Virtualized Environments\)](#). The main difference from the L2 Forwarding sample application is that it reassembles fragmented IPv4 and IPv6 packets before forwarding. The maximum allowed size of reassembled packet is 9.5 KB.

There are two key differences from the L2 Forwarding sample application:

- The first difference is that the forwarding decision is taken based on information read from the input packet's IP header.
- The second difference is that the application differentiates between IP and non-IP traffic by means of offload flags.

The Longest Prefix Match (LPM for IPv4, LPM6 for IPv6) table is used to store/lookup an outgoing port number, associated with that IPv4 address. Any unmatched packets are forwarded to the originating port.

13.2 Compiling the Application

To compile the sample application see [Compiling the Sample Applications](#).

The application is located in the `ip_reassembly` sub-directory.

13.3 Running the Application

The application has a number of command line options:

```
./build/ip_reassembly [EAL options] -- -p PORTMASK [-q NQ] [--maxflows=FLows>] [--flowttl=TTL[
```

where:

- `-p PORTMASK`: Hexadecimal bitmask of ports to configure

- -q NQ: Number of RX queues per lcore
- -maxflows=FLAWS: determines maximum number of active fragmented flows (1-65535). Default value: 4096.
- -flowttl=TTL[(s|ms)]: determines maximum Time To Live for fragmented packet. If all fragments of the packet wouldn't appear within given time-out, then they are considered as invalid and will be dropped. Valid range is 1ms - 3600s. Default value: 1s.

To run the example in linux environment with 2 lcores (2,4) over 2 ports(0,2) with 1 RX queue per lcore:

```
./build/ip_reassembly -l 2,4 -n 3 -- -p 5
EAL: coremask set to 14
EAL: Detected lcore 0 on socket 0
EAL: Detected lcore 1 on socket 1
EAL: Detected lcore 2 on socket 0
EAL: Detected lcore 3 on socket 1
EAL: Detected lcore 4 on socket 0
...

Initializing port 0 on lcore 2... Address:00:1B:21:76:FA:2C, rxq=0 txq=2,0 txq=4,1
done: Link Up - speed 10000 Mbps - full-duplex
Skipping disabled port 1
Initializing port 2 on lcore 4... Address:00:1B:21:5C:FF:54, rxq=0 txq=2,0 txq=4,1
done: Link Up - speed 10000 Mbps - full-duplex
Skipping disabled port 3IP_FRAG: Socket 0: adding route 100.10.0.0/16 (port 0)
IP_RSMBL: Socket 0: adding route 100.20.0.0/16 (port 1)
...

IP_RSMBL: Socket 0: adding route 0101:0101:0101:0101:0101:0101:0101:0101/48 (port 0)
IP_RSMBL: Socket 0: adding route 0201:0101:0101:0101:0101:0101:0101:0101/48 (port 1)
...

IP_RSMBL: entering main loop on lcore 4
IP_RSMBL: -- lcoreid=4 portid=2
IP_RSMBL: entering main loop on lcore 2
IP_RSMBL: -- lcoreid=2 portid=0
```

To run the example in linux environment with 1 lcore (4) over 2 ports(0,2) with 2 RX queues per lcore:

```
./build/ip_reassembly -l 4 -n 3 -- -p 5 -q 2
```

To test the application, flows should be set up in the flow generator that match the values in the l3fwd_ipv4_route_array and/or l3fwd_ipv6_route_array table.

Please note that in order to test this application, the traffic generator should be generating valid fragmented IP packets. For IPv6, the only supported case is when no other extension headers other than fragment extension header are present in the packet.

The default l3fwd_ipv4_route_array table is:

```
struct l3fwd_ipv4_route l3fwd_ipv4_route_array[] = {
    {IPv4(100, 10, 0, 0), 16, 0},
    {IPv4(100, 20, 0, 0), 16, 1},
    {IPv4(100, 30, 0, 0), 16, 2},
    {IPv4(100, 40, 0, 0), 16, 3},
    {IPv4(100, 50, 0, 0), 16, 4},
    {IPv4(100, 60, 0, 0), 16, 5},
    {IPv4(100, 70, 0, 0), 16, 6},
    {IPv4(100, 80, 0, 0), 16, 7},
};
```

The default `l3fwd_ipv6_route_array` table is:

```
struct l3fwd_ipv6_route l3fwd_ipv6_route_array[] = {
    {{1, 1, 1, 1, 1, 1, 1, 1, 1, 1, 1, 1, 1, 1, 1}, 48, 0},
    {{2, 1, 1, 1, 1, 1, 1, 1, 1, 1, 1, 1, 1, 1, 1}, 48, 1},
    {{3, 1, 1, 1, 1, 1, 1, 1, 1, 1, 1, 1, 1, 1, 1}, 48, 2},
    {{4, 1, 1, 1, 1, 1, 1, 1, 1, 1, 1, 1, 1, 1, 1}, 48, 3},
    {{5, 1, 1, 1, 1, 1, 1, 1, 1, 1, 1, 1, 1, 1, 1}, 48, 4},
    {{6, 1, 1, 1, 1, 1, 1, 1, 1, 1, 1, 1, 1, 1, 1}, 48, 5},
    {{7, 1, 1, 1, 1, 1, 1, 1, 1, 1, 1, 1, 1, 1, 1}, 48, 6},
    {{8, 1, 1, 1, 1, 1, 1, 1, 1, 1, 1, 1, 1, 1, 1}, 48, 7},
};
```

For example, for the fragmented input IPv4 packet with destination address: 100.10.1.1, a reassembled IPv4 packet be sent out from port #0 to the destination address 100.10.1.1 once all the fragments are collected.

13.4 Explanation

The following sections provide some explanation of the sample application code. As mentioned in the overview section, the initialization and run-time paths are very similar to those of the [L2 Forwarding Sample Application \(in Real and Virtualized Environments\)](#). The following sections describe aspects that are specific to the IP reassemble sample application.

13.4.1 IPv4 Fragment Table Initialization

This application uses the `rte_ip_frag` library. Please refer to Programmer's Guide for more detailed explanation of how to use this library. Fragment table maintains information about already received fragments of the packet. Each IP packet is uniquely identified by triple <Source IP address>, <Destination IP address>, <ID>. To avoid lock contention, each RX queue has its own Fragment Table, e.g. the application can't handle the situation when different fragments of the same packet arrive through different RX queues. Each table entry can hold information about packet consisting of up to `RTE_LIBRTE_IP_FRAG_MAX_FRAGS` fragments.

```
frag_cycles = (rte_get_tsc_hz() + MS_PER_S - 1) / MS_PER_S * max_flow_ttl;

if ((qconf->frag_tbl[queue] = rte_ip_frag_tbl_create(max_flow_num, IPV4_FRAG_TBL_BUCKET_ENTRIES
{
    RTE_LOG(ERR, IP_RSMBL, "ip_frag_tbl_create(%u) on " "lcore: %u for queue: %u failed\n", ma
    return -1;
}
```

13.4.2 Mempools Initialization

The reassembly application demands a lot of mbuf's to be allocated. At any given time up to $(2 * \text{max_flow_num} * \text{RTE_LIBRTE_IP_FRAG_MAX_FRAGS} * \text{<maximum number of mbufs per packet>})$ can be stored inside Fragment Table waiting for remaining fragments. To keep mempool size under reasonable limits and to avoid situation when one RX queue can starve other queues, each RX queue uses its own mempool.

```
nb_mbuf = RTE_MAX(max_flow_num, 2UL * MAX_PKT_BURST) * RTE_LIBRTE_IP_FRAG_MAX_FRAGS;
nb_mbuf *= (port_conf.rxmode.max_rx_pkt_len + BUF_SIZE - 1) / BUF_SIZE;
nb_mbuf *= 2; /* ipv4 and ipv6 */
nb_mbuf += RTE_TEST_RX_DESC_DEFAULT + RTE_TEST_TX_DESC_DEFAULT;
nb_mbuf = RTE_MAX(nb_mbuf, (uint32_t)NB_MBUF);
```

```

snprintf(buf, sizeof(buf), "mbuf_pool_%u_%u", lcore, queue);

if ((rxq->pool = rte_mempool_create(buf, nb_mbuf, MBUF_SIZE, 0, sizeof(struct rte_pktmbuf_pool_
    rte_pktmbuf_init, NULL, socket, MEMPOOL_F_SP_PUT | MEMPOOL_F_SC_GET)) == NULL) {

    RTE_LOG(ERR, IP_RSMBL, "mempool_create(%s) failed", buf);
    return -1;
}

```

13.4.3 Packet Reassembly and Forwarding

For each input packet, the packet forwarding operation is done by the `l3fwd_simple_forward()` function. If the packet is an IPv4 or IPv6 fragment, then it calls `rte_ipv4_reassemble_packet()` for IPv4 packets, or `rte_ipv6_reassemble_packet()` for IPv6 packets. These functions either return a pointer to valid mbuf that contains reassembled packet, or NULL (if the packet can't be reassembled for some reason). Then `l3fwd_simple_forward()` continues with the code for the packet forwarding decision (that is, the identification of the output interface for the packet) and actual transmit of the packet.

The `rte_ipv4_reassemble_packet()` or `rte_ipv6_reassemble_packet()` are responsible for:

1. Searching the Fragment Table for entry with packet's <IP Source Address, IP Destination Address, Packet ID>
2. If the entry is found, then check if that entry already timed-out. If yes, then free all previously received fragments, and remove information about them from the entry.
3. If no entry with such key is found, then try to create a new one by one of two ways:
 - (a) Use as empty entry
 - (b) Delete a timed-out entry, free mbufs associated with it mbufs and store a new entry with specified key in it.
4. Update the entry with new fragment information and check if a packet can be reassembled (the packet's entry contains all fragments).
 - (a) If yes, then, reassemble the packet, mark table's entry as empty and return the reassembled mbuf to the caller.
 - (b) If no, then just return a NULL to the caller.

If at any stage of packet processing a reassembly function encounters an error (can't insert new entry into the Fragment table, or invalid/timed-out fragment), then it will free all associated with the packet fragments, mark the table entry as invalid and return NULL to the caller.

13.4.4 Debug logging and Statistics Collection

The `RTE_LIBRTE_IP_FRAG_TBL_STAT` controls statistics collection for the IP Fragment Table. This macro is disabled by default. To make `ip_reassembly` print the statistics to the standard output, the user must send either an USR1, INT or TERM signal to the process. For all of these signals, the `ip_reassembly` process prints Fragment table statistics for each RX queue, plus the INT and TERM will cause process termination as usual.

KERNEL NIC INTERFACE SAMPLE APPLICATION

The Kernel NIC Interface (KNI) is a DPDK control plane solution that allows userspace applications to exchange packets with the kernel networking stack. To accomplish this, DPDK userspace applications use an IOCTL call to request the creation of a KNI virtual device in the Linux* kernel. The IOCTL call provides interface information and the DPDK's physical address space, which is re-mapped into the kernel address space by the KNI kernel loadable module that saves the information to a virtual device context. The DPDK creates FIFO queues for packet ingress and egress to the kernel module for each device allocated.

The KNI kernel loadable module is a standard net driver, which upon receiving the IOCTL call access the DPDK's FIFO queue to receive/transmit packets from/to the DPDK userspace application. The FIFO queues contain pointers to data packets in the DPDK. This:

- Provides a faster mechanism to interface with the kernel net stack and eliminates system calls
- Facilitates the DPDK using standard Linux* userspace net tools (tcpdump, ftp, and so on)
- Eliminate the `copy_to_user` and `copy_from_user` operations on packets.

The Kernel NIC Interface sample application is a simple example that demonstrates the use of the DPDK to create a path for packets to go through the Linux* kernel. This is done by creating one or more kernel net devices for each of the DPDK ports. The application allows the use of standard Linux tools (ethtool, ifconfig, tcpdump) with the DPDK ports and also the exchange of packets between the DPDK application and the Linux* kernel.

The Kernel NIC Interface sample application requires that the KNI kernel module `rte_kni` be loaded into the kernel. See `../prog_guide/kernel_nic_interface` for more information on loading the `rte_kni` kernel module.

14.1 Overview

The Kernel NIC Interface sample application `kni` allocates one or more KNI interfaces for each physical NIC port. For each physical NIC port, `kni` uses two DPDK threads in user space; one thread reads from the port and writes to the corresponding KNI interfaces and the other thread reads from the KNI interfaces and writes the data unmodified to the physical NIC port.

It is recommended to configure one KNI interface for each physical NIC port. The application can be configured with more than one KNI interface for each physical NIC port for performance testing or it can work together with VMDq support in future.

The packet flow through the Kernel NIC Interface application is as shown in the following figure.

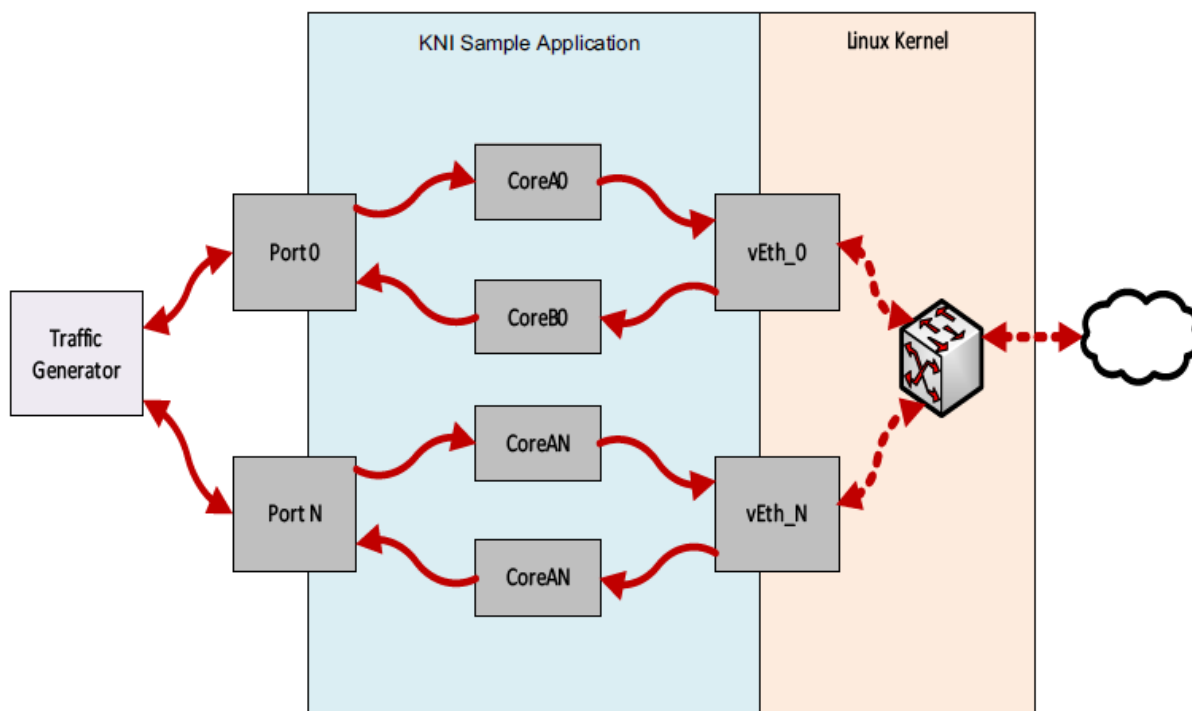


Fig. 14.1: Kernel NIC Application Packet Flow

If link monitoring is enabled with the `-m` command line flag, one additional pthread is launched which will check the link status of each physical NIC port and will update the carrier status of the corresponding KNI interface(s) to match the physical NIC port's state. This means that the KNI interface(s) will be disabled automatically when the Ethernet link goes down and enabled when the Ethernet link goes up.

If link monitoring is enabled, the `rte_kni` kernel module should be loaded such that the default carrier state is set to `off`. This ensures that the KNI interface is only enabled *after* the Ethernet link of the corresponding NIC port has reached the linkup state.

If link monitoring is not enabled, the `rte_kni` kernel module should be loaded with the default carrier state set to `on`. This sets the carrier state of the KNI interfaces to `on` when the KNI interfaces are enabled without regard to the actual link state of the corresponding NIC port. This is useful for testing in loopback mode where the NIC port may not be physically connected to anything.

14.2 Compiling the Application

To compile the sample application see [Compiling the Sample Applications](#).

The application is located in the `examples/kni` sub-directory.

Note: This application is intended as a linux only.

14.3 Running the kni Example Application

The `kni` example application requires a number of command line options:

```
kni [EAL options] -- -p PORTMASK --config="(port,lcore_rx,lcore_tx[,lcore_kthread,...])[, (port,
```

Where:

- `-p PORTMASK`:
Hexadecimal bitmask of ports to configure.
- `--config="(port,lcore_rx,lcore_tx[,lcore_kthread,...])[, (port,lcore_rx,lcore_tx[,lcore_kthread,...])"`:
Determines which lcores the Rx and Tx DPDK tasks, and (optionally) the KNI kernel thread(s) are bound to for each physical port.
- `-P`:
Optional flag to set all ports to promiscuous mode so that packets are accepted regardless of the packet's Ethernet MAC destination address. Without this option, only packets with the Ethernet MAC destination address set to the Ethernet address of the port are accepted.
- `-m`:
Optional flag to enable monitoring and updating of the Ethernet carrier state. With this option set, a thread will be started which will periodically check the Ethernet link status of the physical Ethernet ports and set the carrier state of the corresponding KNI network interface to match it. This means that the KNI interface will be disabled automatically when the Ethernet link goes down and enabled when the Ethernet link goes up.

Refer to *DPDK Getting Started Guide* for general information on running applications and the Environment Abstraction Layer (EAL) options.

The `-c coremask` or `-l corelist` parameter of the EAL options must include the lcores specified by `lcore_rx` and `lcore_tx` for each port, but does not need to include lcores specified by `lcore_kthread` as those cores are used to pin the kernel threads in the `rte_kni` kernel module.

The `--config` parameter must include a set of `(port,lcore_rx,lcore_tx,[lcore_kthread,...])` values for each physical port specified in the `-p PORTMASK` parameter.

The optional `lcore_kthread` lcore ID parameter in `--config` can be specified zero, one or more times for each physical port.

If no lcore ID is specified for `lcore_kthread`, one KNI interface will be created for the physical port `port` and the KNI kernel thread(s) will have no specific core affinity.

If one or more lcore IDs are specified for `lcore_kthread`, a KNI interface will be created for each lcore ID specified, bound to the physical port `port`. If the `rte_kni` kernel module is loaded in multiple kernel thread mode, a kernel thread will be created for each KNI interface and bound to the specified core. If the `rte_kni` kernel module is loaded in single kernel thread mode, only one kernel thread is started for all KNI interfaces. The kernel thread will be bound to the first `lcore_kthread` lcore ID specified.

14.3.1 Example Configurations

The following commands will first load the `rte_kni` kernel module in multiple kernel thread mode. The `kni` application is then started using two ports; Port 0 uses lcore 4 for the Rx task, lcore 6 for the Tx task, and will create a single KNI interface `vEth0_0` with the kernel thread bound to lcore 8. Port 1 uses lcore 5 for the Rx task, lcore 7 for the Tx task, and will create a single KNI interface `vEth1_0` with the kernel thread bound to lcore 9.

```
# rmmmod rte_kni
# insmod kmod/rte_kni.ko kthread_mode=multiple
# ./build/kni -l 4-7 -n 4 -- -P -p 0x3 -m --config="(0,4,6,8),(1,5,7,9)"
```

The following example is identical, except an additional `lcore_kthread` core is specified per physical port. In this case, `kni` will create four KNI interfaces: `vEth0_0/vEth0_1` bound to physical port 0 and `vEth1_0/vEth1_1` bound to physical port 1.

The kernel thread for each interface will be bound as follows:

- `vEth0_0` - bound to lcore 8.
- `vEth0_1` - bound to lcore 10.
- `vEth1_0` - bound to lcore 9.
- `vEth1_1` - bound to lcore 11

```
# rmmmod rte_kni
# insmod kmod/rte_kni.ko kthread_mode=multiple
# ./build/kni -l 4-7 -n 4 -- -P -p 0x3 -m --config="(0,4,6,8,10),(1,5,7,9,11)"
```

The following example can be used to test the interface between the `kni test` application and the `rte_kni` kernel module. In this example, the `rte_kni` kernel module is loaded in single kernel thread mode, loopback mode enabled, and the default carrier state is set to `on` so that the corresponding physical NIC port does not have to be connected in order to use the KNI interface. One KNI interface `vEth0_0` is created for port 0 and one KNI interface `vEth1_0` is created for port 1. Since `rte_kni` is loaded in “single kernel thread” mode, the one kernel thread is bound to lcore 8.

Since the physical NIC ports are not being used, link monitoring can be disabled by **not** specifying the `-m` flag to `kni`:

```
# rmmmod rte_kni
# insmod kmod/rte_kni.ko lo_mode=lo_mode_fifo carrier=on
# ./build/kni -l 4-7 -n 4 -- -P -p 0x3 --config="(0,4,6,8),(1,5,7,9)"
```

14.4 KNI Operations

Once the `kni` application is started, the user can use the normal Linux commands to manage the KNI interfaces as if they were any other Linux network interface.

Enable KNI interface and assign an IP address:

```
# ifconfig vEth0_0 192.168.0.1
```

Show KNI interface configuration and statistics:

```
# ifconfig vEth0_0
```

The user can also check and reset the packet statistics inside the `kni` application by sending the app the `USR1` and `USR2` signals:

```
# Print statistics
# kill -SIGUSR1 `pidof kni`

# Zero statistics
# kill -SIGUSR2 `pidof kni`
```

Dump network traffic:

```
# tcpdump -i vEth0_0
```

The normal Linux commands can also be used to change the MAC address and MTU size used by the physical NIC which corresponds to the KNI interface. However, if more than one KNI interface is configured for a physical port, these commands will only work on the first KNI interface for that port.

Change the MAC address:

```
# ifconfig vEth0_0 hw ether 0C:01:02:03:04:08
```

Change the MTU size:

```
# ifconfig vEth0_0 mtu 1450
```

If DPDK is compiled with `CONFIG_RTE_KNI_KMOD_ETHTOOL=y` and an Intel NIC is used, the user can use `ethtool` on the KNI interface as if it were a normal Linux kernel interface.

Displaying the NIC registers:

```
# ethtool -d vEth0_0
```

When the `kni` application is closed, all the KNI interfaces are deleted from the Linux kernel.

14.5 Explanation

The following sections provide some explanation of code.

14.5.1 Initialization

Setup of mbuf pool, driver and queues is similar to the setup done in the [L2 Forwarding Sample Application \(in Real and Virtualized Environments\)](#). In addition, one or more kernel NIC interfaces are allocated for each of the configured ports according to the command line parameters.

The code for allocating the kernel NIC interfaces for a specific port is in the function `kni_alloc`.

The other step in the initialization process that is unique to this sample application is the association of each port with lcores for RX, TX and kernel threads.

- One lcore to read from the port and write to the associated one or more KNI devices
- Another lcore to read from one or more KNI devices and write to the port
- Other lcores for pinning the kernel threads on one by one

This is done by using the `kni_port_params_array[]` array, which is indexed by the port ID. The code is in the function `parse_config`.

14.5.2 Packet Forwarding

After the initialization steps are completed, the `main_loop()` function is run on each lcore. This function first checks the `lcore_id` against the user provided `lcore_rx` and `lcore_tx` to see if this lcore is reading from or writing to kernel NIC interfaces.

For the case that reads from a NIC port and writes to the kernel NIC interfaces (`kni_ingress`), the packet reception is the same as in L2 Forwarding sample application (see *Receive, Process and Transmit Packets*). The packet transmission is done by sending mbufs into the kernel NIC interfaces by `rte_kni_tx_burst()`. The KNI library automatically frees the mbufs after the kernel successfully copied the mbufs.

For the other case that reads from kernel NIC interfaces and writes to a physical NIC port (`kni_egress`), packets are retrieved by reading mbufs from kernel NIC interfaces by `rte_kni_rx_burst()`. The packet transmission is the same as in the L2 Forwarding sample application (see *Receive, Process and Transmit Packets*).

KEEP ALIVE SAMPLE APPLICATION

The Keep Alive application is a simple example of a heartbeat/watchdog for packet processing cores. It demonstrates how to detect 'failed' DPDK cores and notify a fault management entity of this failure. Its purpose is to ensure the failure of the core does not result in a fault that is not detectable by a management entity.

15.1 Overview

The application demonstrates how to protect against 'silent outages' on packet processing cores. A Keep Alive Monitor Agent Core (master) monitors the state of packet processing cores (worker cores) by dispatching pings at a regular time interval (default is 5ms) and monitoring the state of the cores. Cores states are: Alive, MIA, Dead or Buried. MIA indicates a missed ping, and Dead indicates two missed pings within the specified time interval. When a core is Dead, a callback function is invoked to restart the packet processing core; A real life application might use this callback function to notify a higher level fault management entity of the core failure in order to take the appropriate corrective action.

Note: Only the worker cores are monitored. A local (on the host) mechanism or agent to supervise the Keep Alive Monitor Agent Core DPDK core is required to detect its failure.

Note: This application is based on the [L2 Forwarding Sample Application \(in Real and Virtualized Environments\)](#). As such, the initialization and run-time paths are very similar to those of the L2 forwarding application.

15.2 Compiling the Application

To compile the sample application see [Compiling the Sample Applications](#).

The application is located in the `l2fwd_keep_alive` sub-directory.

15.3 Running the Application

The application has a number of command line options:

```
./build/l2fwd-keepalive [EAL options] \  
-- -p PORTMASK [-q NQ] [-K PERIOD] [-T PERIOD]
```

where,

- `p PORTMASK`: A hexadecimal bitmask of the ports to configure

- `q NQ`: A number of queues (=ports) per lcore (default is 1)
- `K PERIOD`: Heartbeat check period in ms(5ms default; 86400 max)
- `T PERIOD`: statistics will be refreshed each PERIOD seconds (0 to disable, 10 default, 86400 maximum).

To run the application in linux environment with 4 lcores, 16 ports 8 RX queues per lcore and a ping interval of 10ms, issue the command:

```
./build/l2fwd-keepalive -l 0-3 -n 4 -- -q 8 -p ffff -K 10
```

Refer to the *DPDK Getting Started Guide* for general information on running applications and the Environment Abstraction Layer (EAL) options.

15.4 Explanation

The following sections provide some explanation of the The Keep-Alive/'Liveliness' conceptual scheme. As mentioned in the overview section, the initialization and run-time paths are very similar to those of the [L2 Forwarding Sample Application \(in Real and Virtualized Environments\)](#).

The Keep-Alive/'Liveliness' conceptual scheme:

- A Keep- Alive Agent Runs every N Milliseconds.
- DPDK Cores respond to the keep-alive agent.
- If keep-alive agent detects time-outs, it notifies the fault management entity through a callback function.

The following sections provide some explanation of the code aspects that are specific to the Keep Alive sample application.

The keepalive functionality is initialized with a struct `rte_keepalive` and the callback function to invoke in the case of a timeout.

```
rte_global_keepalive_info = rte_keepalive_create(&dead_core, NULL);
if (rte_global_keepalive_info == NULL)
    rte_exit(EXIT_FAILURE, "keepalive_create() failed");
```

The function that issues the pings `keepalive_dispatch_pings()` is configured to run every `check_period` milliseconds.

```
if (rte_timer_reset(&hb_timer,
    (check_period * rte_get_timer_hz()) / 1000,
    PERIODICAL,
    rte_lcore_id(),
    &rte_keepalive_dispatch_pings,
    rte_global_keepalive_info
) != 0 )
    rte_exit(EXIT_FAILURE, "Keepalive setup failure.\n");
```

The rest of the initialization and run-time path follows the same paths as the L2 forwarding application. The only addition to the main processing loop is the mark alive functionality and the example random failures.

```
rte_keepalive_mark_alive(&rte_global_keepalive_info);
cur_tsc = rte_rdtsc();

/* Die randomly within 7 secs for demo purposes.. */
```

```
if (cur_tsc - tsc_initial > tsc_lifetime)
break;
```

The `rte_keepalive_mark_alive` function simply sets the core state to alive.

```
static inline void
rte_keepalive_mark_alive(struct rte_keepalive *keepcfg)
{
    keepcfg->live_data[rte_lcore_id()].core_state = RTE_KA_STATE_ALIVE;
}
```


L2 FORWARDING WITH CRYPTO SAMPLE APPLICATION

The L2 Forwarding with Crypto (l2fwd-crypto) sample application is a simple example of packet processing using the Data Plane Development Kit (DPDK), in conjunction with the Cryptodev library.

16.1 Overview

The L2 Forwarding with Crypto sample application performs a crypto operation (cipher/hash) specified by the user from command line (or using the default values), with a crypto device capable of doing that operation, for each packet that is received on a RX_PORT and performs L2 forwarding. The destination port is the adjacent port from the enabled portmask, that is, if the first four ports are enabled (portmask 0xf), ports 0 and 1 forward into each other, and ports 2 and 3 forward into each other. Also, if MAC addresses updating is enabled, the MAC addresses are affected as follows:

- The source MAC address is replaced by the TX_PORT MAC address
- The destination MAC address is replaced by 02:00:00:00:00:TX_PORT_ID

16.2 Compiling the Application

To compile the sample application see [Compiling the Sample Applications](#).

The application is located in the `l2fwd-crypt` sub-directory.

16.3 Running the Application

The application requires a number of command line options:

```
./build/l2fwd-crypto [EAL options] -- [-p PORTMASK] [-q NQ] [-s] [-T PERIOD] /  
[--cdev_type HW/SW/ANY] [--chain HASH_CIPHER/CIPHER_HASH/CIPHER_ONLY/HASH_ONLY/AEAD] /  
[--cipher_algo ALGO] [--cipher_op ENCRYPT/DECRYPT] [--cipher_key KEY] /  
[--cipher_key_random_size SIZE] [--cipher_iv IV] [--cipher_iv_random_size SIZE] /  
[--auth_algo ALGO] [--auth_op GENERATE/VERIFY] [--auth_key KEY] /  
[--auth_key_random_size SIZE] [--auth_iv IV] [--auth_iv_random_size SIZE] /  
[--aead_algo ALGO] [--aead_op ENCRYPT/DECRYPT] [--aead_key KEY] /  
[--aead_key_random_size SIZE] [--aead_iv] [--aead_iv_random_size SIZE] /  
[--aad AAD] [--aad_random_size SIZE] /  
[--digest size SIZE] [--sessionless] [--cryptodev_mask MASK] /  
[--mac-updating] [--no-mac-updating]
```

where,

- p PORTMASK: A hexadecimal bitmask of the ports to configure (default is all the ports)
- q NQ: A number of queues (=ports) per lcore (default is 1)
- s: manage all ports from single core
- T PERIOD: statistics will be refreshed each PERIOD seconds
(0 to disable, 10 default, 86400 maximum)
- cdev_type: select preferred crypto device type: HW, SW or anything (ANY)
(default is ANY)
- chain: select the operation chaining to perform: Cipher->Hash (CIPHER_HASH),
Hash->Cipher (HASH_CIPHER), Cipher (CIPHER_ONLY), Hash (HASH_ONLY)
or AEAD (AEAD)
(default is Cipher->Hash)
- cipher_algo: select the ciphering algorithm (default is aes-cbc)
- cipher_op: select the ciphering operation to perform: ENCRYPT or DECRYPT
(default is ENCRYPT)
- cipher_key: set the ciphering key to be used. Bytes has to be separated with ":"
- cipher_key_random_size: set the size of the ciphering key,
which will be generated randomly.
Note that if `-cipher_key` is used, this will be ignored.
- cipher_iv: set the cipher IV to be used. Bytes has to be separated with ":"
- cipher_iv_random_size: set the size of the cipher IV, which will be generated randomly.
Note that if `-cipher_iv` is used, this will be ignored.
- auth_algo: select the authentication algorithm (default is sha1-hmac)
- auth_op: select the authentication operation to perform: GENERATE or VERIFY
(default is GENERATE)
- auth_key: set the authentication key to be used. Bytes has to be separated with ":"
- auth_key_random_size: set the size of the authentication key,
which will be generated randomly.
Note that if `-auth_key` is used, this will be ignored.
- auth_iv: set the auth IV to be used. Bytes has to be separated with ":"
- auth_iv_random_size: set the size of the auth IV, which will be generated randomly.
Note that if `-auth_iv` is used, this will be ignored.
- aead_algo: select the AEAD algorithm (default is aes-gcm)

- `aead_op`: select the AEAD operation to perform: ENCRYPT or DECRYPT (default is ENCRYPT)
- `aead_key`: set the AEAD key to be used. Bytes has to be separated with ":"
- `aead_key_random_size`: set the size of the AEAD key, which will be generated randomly.
Note that if `-aead_key` is used, this will be ignored.
- `aead_iv`: set the AEAD IV to be used. Bytes has to be separated with ":"
- `aead_iv_random_size`: set the size of the AEAD IV, which will be generated randomly.
Note that if `-aead_iv` is used, this will be ignored.
- `aad`: set the AAD to be used. Bytes has to be separated with ":"
- `aad_random_size`: set the size of the AAD, which will be generated randomly.
Note that if `-aad` is used, this will be ignored.
- `digest_size`: set the size of the digest to be generated/verified.
- `sessionless`: no crypto session will be created.
- `cryptodev_mask`: A hexadecimal bitmask of the cryptodevs to be used by the application. (default is all cryptodevs).
- `[no-]mac-updating`: Enable or disable MAC addresses updating (enabled by default).

The application requires that crypto devices capable of performing the specified crypto operation are available on application initialization. This means that HW crypto device/s must be bound to a DPDK driver or a SW crypto device/s (virtual crypto PMD) must be created (using `-vdev`).

To run the application in linux environment with 2 lcores, 2 ports and 2 crypto devices, issue the command:

```
$ ./build/l2fwd-crypto -l 0-1 -n 4 --vdev "crypto_aesni_mb0" \
--vdev "crypto_aesni_mb1" -- -p 0x3 --chain CIPHER_HASH \
--cipher_op ENCRYPT --cipher_algo aes-cbc \
--cipher_key 00:01:02:03:04:05:06:07:08:09:0a:0b:0c:0d:0e:0f \
--auth_op GENERATE --auth_algo aes-xcbc-mac \
--auth_key 10:11:12:13:14:15:16:17:18:19:1a:1b:1c:1d:1e:1f
```

Refer to the *DPDK Getting Started Guide* for general information on running applications and the Environment Abstraction Layer (EAL) options.

Note:

- The `l2fwd-crypto` sample application requires IPv4 packets for crypto operation.
 - If multiple Ethernet ports is passed, then equal number of crypto devices are to be passed.
 - All crypto devices shall use the same session.
-

16.4 Explanation

The L2 forward with Crypto application demonstrates the performance of a crypto operation on a packet received on a RX PORT before forwarding it to a TX PORT.

The following figure illustrates a sample flow of a packet in the application, from reception until transmission.

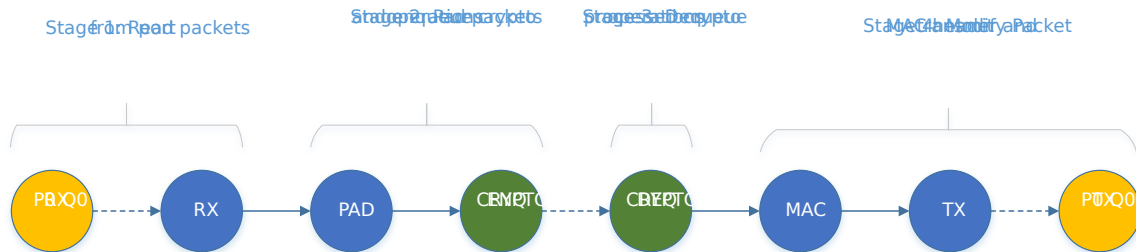


Fig. 16.1: Encryption flow Through the L2 Forwarding with Crypto Application

The following sections provide some explanation of the application.

16.4.1 Crypto operation specification

All the packets received in all the ports get transformed by the crypto device/s (ciphering and/or authentication). The crypto operation to be performed on the packet is parsed from the command line (go to “Running the Application section for all the options).

If no parameter is passed, the default crypto operation is:

- Encryption with AES-CBC with 128 bit key.
- Authentication with SHA1-HMAC (generation).
- Keys, IV and AAD are generated randomly.

There are two methods to pass keys, IV and ADD from the command line:

- Passing the full key, separated bytes by “:”:

```
--cipher_key 00:11:22:33:44
```

- Passing the size, so key is generated randomly:

```
--cipher_key_random_size 16
```

Note: If full key is passed (first method) and the size is passed as well (second method), the latter will be ignored.

Size of these keys are checked (regardless the method), before starting the app, to make sure that it is supported by the crypto devices.

16.4.2 Crypto device initialization

Once the encryption operation is defined, crypto devices are initialized. The crypto devices must be either bound to a DPDK driver (if they are physical devices) or created using the EAL option `-vdev` (if they are virtual devices), when running the application.

The `initialize_cryptodevs()` function performs the device initialization. It iterates through the list of the available crypto devices and check which ones are capable of performing the operation. Each device has a set of capabilities associated with it, which are stored in the device info structure, so the function checks if the operation is within the structure of each device.

The following code checks if the device supports the specified cipher algorithm (similar for the authentication algorithm):

```

/* Check if device supports cipher algo */
i = 0;
opt_cipher_algo = options->cipher_xform.cipher.algo;
cap = &dev_info.capabilities[i];
while (cap->op != RTE_CRYPTOP_TYPE_UNDEFINED) {
    cap_cipher_algo = cap->sym.cipher.algo;
    if (cap->sym.xform_type ==
        RTE_CRYPTOP_SYM_XFORM_CIPHER) {
        if (cap_cipher_algo == opt_cipher_algo) {
            if (check_type(options, &dev_info) == 0)
                break;
        }
    }
    cap = &dev_info.capabilities[++i];
}

```

If a capable crypto device is found, key sizes are checked to see if they are supported (cipher key and IV for the ciphering):

```

/*
 * Check if length of provided cipher key is supported
 * by the algorithm chosen.
 */
if (options->ckey_param) {
    if (check_supported_size(
        options->cipher_xform.cipher.key.length,
        cap->sym.cipher.key_size.min,
        cap->sym.cipher.key_size.max,
        cap->sym.cipher.key_size.increment)
        != 0) {
        printf("Unsupported cipher key length\n");
        return -1;
    }
}

/*
 * Check if length of the cipher key to be randomly generated
 * is supported by the algorithm chosen.
 */
} else if (options->ckey_random_size != -1) {
    if (check_supported_size(options->ckey_random_size,
        cap->sym.cipher.key_size.min,
        cap->sym.cipher.key_size.max,
        cap->sym.cipher.key_size.increment)
        != 0) {
        printf("Unsupported cipher key length\n");
        return -1;
    }
    options->cipher_xform.cipher.key.length =
        options->ckey_random_size;
} else
    options->cipher_xform.cipher.key.length =
        cap->sym.cipher.key_size.min;

```

After all the checks, the device is configured and it is added to the crypto device list.

Note: The number of crypto devices that supports the specified crypto operation must be at least the number of ports to be used.

16.4.3 Session creation

The crypto operation has a crypto session associated to it, which contains information such as the transform chain to perform (e.g. ciphering then hashing), pointers to the keys, lengths... etc.

This session is created and is later attached to the crypto operation:

```
static struct rte_cryptodev_sym_session *
initialize_crypto_session(struct l2fwd_crypto_options *options,
                        uint8_t cdev_id)
{
    struct rte_crypto_sym_xform *first_xform;
    struct rte_cryptodev_sym_session *session;
    uint8_t socket_id = rte_cryptodev_socket_id(cdev_id);
    struct rte_mempool *sess_mp = session_pool_socket[socket_id];

    if (options->xform_chain == L2FWD_CRYPTOD_AEAD) {
        first_xform = &options->aead_xform;
    } else if (options->xform_chain == L2FWD_CRYPTOD_CIPHER_HASH) {
        first_xform = &options->cipher_xform;
        first_xform->next = &options->auth_xform;
    } else if (options->xform_chain == L2FWD_CRYPTOD_HASH_CIPHER) {
        first_xform = &options->auth_xform;
        first_xform->next = &options->cipher_xform;
    } else if (options->xform_chain == L2FWD_CRYPTOD_CIPHER_ONLY) {
        first_xform = &options->cipher_xform;
    } else {
        first_xform = &options->auth_xform;
    }

    session = rte_cryptodev_sym_session_create(sess_mp);

    if (session == NULL)
        return NULL;

    if (rte_cryptodev_sym_session_init(cdev_id, session,
                                       first_xform, sess_mp) < 0)
        return NULL;

    return session;
}

...

port_cparams[i].session = initialize_crypto_session(options,
                                                  port_cparams[i].dev_id);
```

16.4.4 Crypto operation creation

Given N packets received from a RX PORT, N crypto operations are allocated and filled:

```
if (nb_rx) {
    /*
     * If we can't allocate a crypto_ops, then drop
     * the rest of the burst and dequeue and
```

```

    * process the packets to free offload structs
    */
    if (rte_crypto_op_bulk_alloc(
        l2fwd_crypto_op_pool,
        RTE_CRYPTOP_TYPE_SYMMETRIC,
        ops_burst, nb_rx) !=
        nb_rx) {
        for (j = 0; j < nb_rx; j++)
            rte_pktmbuf_free(pkts_burst[j]);

        nb_rx = 0;
    }

```

After filling the crypto operation (including session attachment), the mbuf which will be transformed is attached to it:

```
op->sym->m_src = m;
```

Since no destination mbuf is set, the source mbuf will be overwritten after the operation is done (in-place).

16.4.5 Crypto operation enqueueing/dequeueing

Once the operation has been created, it has to be enqueued in one of the crypto devices. Before doing so, for performance reasons, the operation stays in a buffer. When the buffer has enough operations (MAX_PKT_BURST), they are enqueued in the device, which will perform the operation at that moment:

```

static int
l2fwd_crypto_enqueue(struct rte_crypto_op *op,
                    struct l2fwd_crypto_params *cparams)
{
    unsigned lcore_id, len;
    struct lcore_queue_conf *qconf;

    lcore_id = rte_lcore_id();

    qconf = &lcore_queue_conf[lcore_id];
    len = qconf->op_buf[cparams->dev_id].len;
    qconf->op_buf[cparams->dev_id].buffer[len] = op;
    len++;

    /* enough ops to be sent */
    if (len == MAX_PKT_BURST) {
        l2fwd_crypto_send_burst(qconf, MAX_PKT_BURST, cparams);
        len = 0;
    }

    qconf->op_buf[cparams->dev_id].len = len;
    return 0;
}

...

static int
l2fwd_crypto_send_burst(struct lcore_queue_conf *qconf, unsigned n,
                       struct l2fwd_crypto_params *cparams)
{
    struct rte_crypto_op **op_buffer;
    unsigned ret;

```

```

op_buffer = (struct rte_crypto_op **)
            qconf->op_buf[cparams->dev_id].buffer;

ret = rte_cryptodev_enqueue_burst(cparams->dev_id,
                                cparams->qp_id, op_buffer, (uint16_t) n);

crypto_statistics[cparams->dev_id].enqueued += ret;
if (unlikely(ret < n)) {
    crypto_statistics[cparams->dev_id].errors += (n - ret);
    do {
        rte_pktmbuf_free(op_buffer[ret]->sym->m_src);
        rte_crypto_op_free(op_buffer[ret]);
    } while (++ret < n);
}

return 0;
}

```

After this, the operations are dequeued from the device, and the transformed mbuf is extracted from the operation. Then, the operation is freed and the mbuf is forwarded as it is done in the L2 forwarding application.

```

/* Dequeue packets from Crypto device */
do {
    nb_rx = rte_cryptodev_dequeue_burst(
            cparams->dev_id, cparams->qp_id,
            ops_burst, MAX_PKT_BURST);

    crypto_statistics[cparams->dev_id].dequeued +=
        nb_rx;

    /* Forward crypto'd packets */
    for (j = 0; j < nb_rx; j++) {
        m = ops_burst[j]->sym->m_src;

        rte_crypto_op_free(ops_burst[j]);
        l2fwd_simple_forward(m, portid);
    }
} while (nb_rx == MAX_PKT_BURST);

```


L2 FORWARDING SAMPLE APPLICATION (IN REAL AND VIRTUALIZED ENVIRONMENTS) WITH CORE LOAD STATISTICS.

The L2 Forwarding sample application is a simple example of packet processing using the Data Plane Development Kit (DPDK) which also takes advantage of Single Root I/O Virtualization (SR-IOV) features in a virtualized environment.

Note: This application is a variation of L2 Forwarding sample application. It demonstrate possible scheme of job stats library usage therefore some parts of this document is identical with original L2 forwarding application.

17.1 Overview

The L2 Forwarding sample application, which can operate in real and virtualized environments, performs L2 forwarding for each packet that is received. The destination port is the adjacent port from the enabled portmask, that is, if the first four ports are enabled (portmask 0xf), ports 1 and 2 forward into each other, and ports 3 and 4 forward into each other. Also, the MAC addresses are affected as follows:

- The source MAC address is replaced by the TX port MAC address
- The destination MAC address is replaced by 02:00:00:00:00:TX_PORT_ID

This application can be used to benchmark performance using a traffic-generator, as shown in the [Fig. 17.1](#).

The application can also be used in a virtualized environment as shown in [Fig. 17.2](#).

The L2 Forwarding application can also be used as a starting point for developing a new application based on the DPDK.

17.1.1 Virtual Function Setup Instructions

This application can use the virtual function available in the system and therefore can be used in a virtual machine without passing through the whole Network Device into a guest machine in a virtualized scenario. The virtual functions can be enabled in the host machine or the hypervisor with the respective physical function driver.

For example, in a Linux* host machine, it is possible to enable a virtual function using the following command:

```
modprobe ixgbe max_vfs=2,2
```

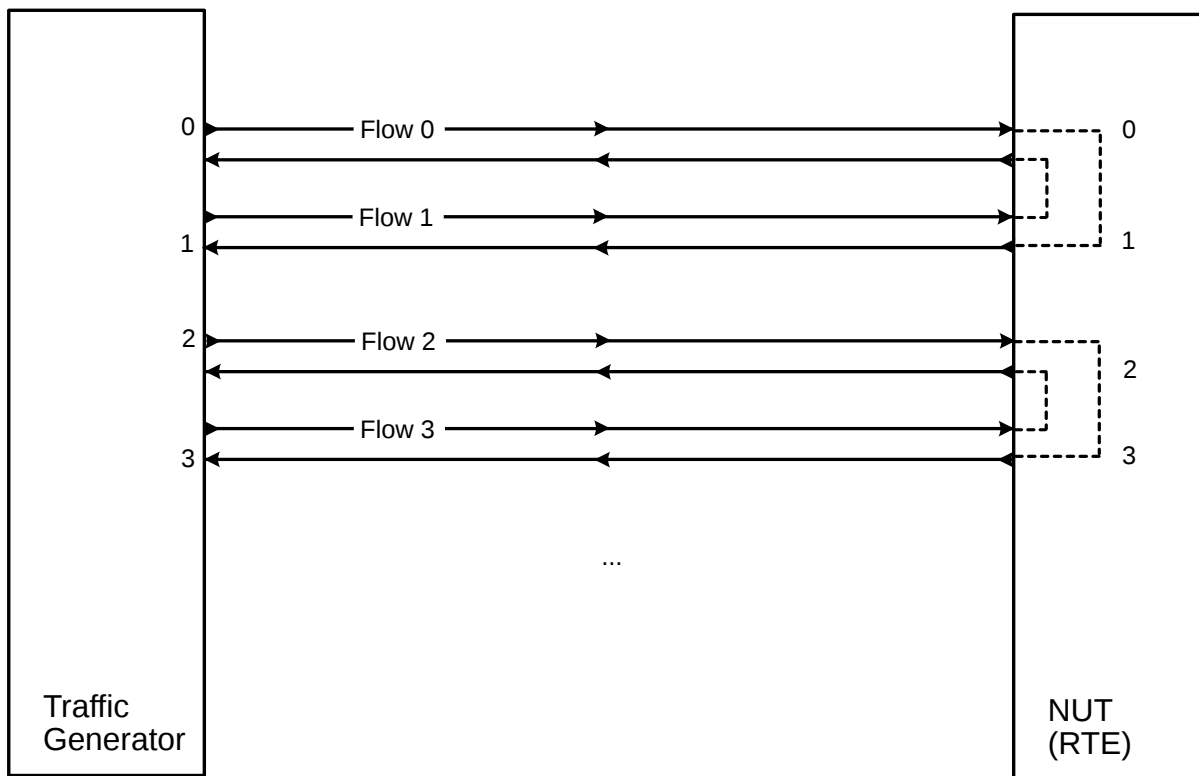


Fig. 17.1: Performance Benchmark Setup (Basic Environment)

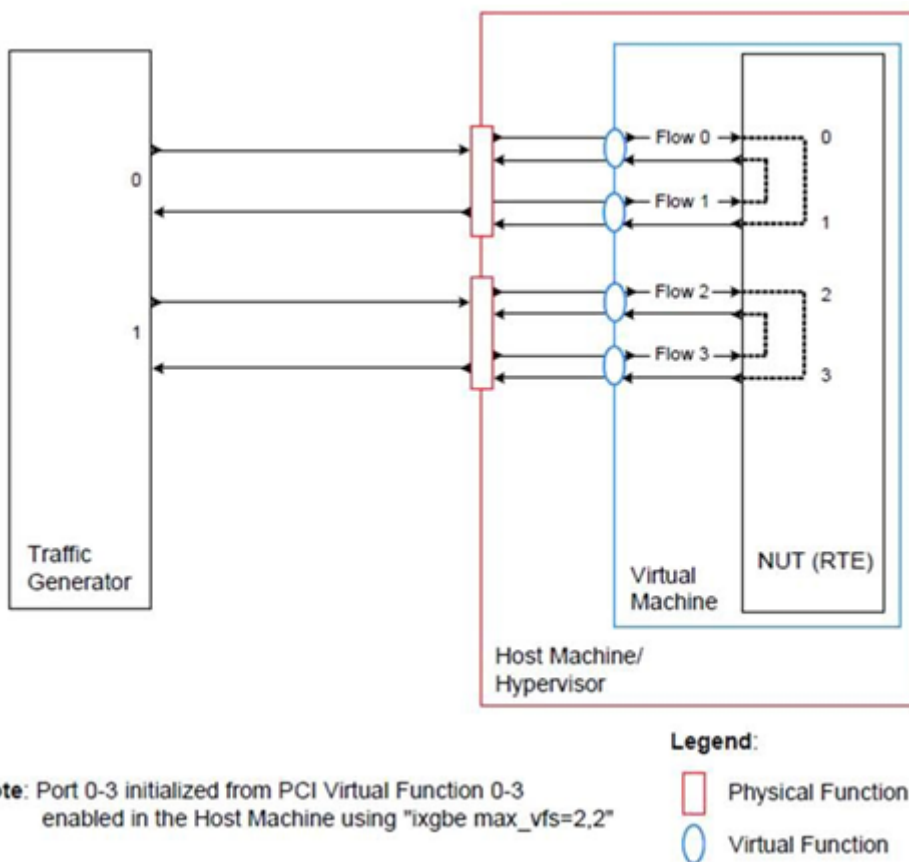


Fig. 17.2: Performance Benchmark Setup (Virtualized Environment)

This command enables two Virtual Functions on each of Physical Function of the NIC, with two physical ports in the PCI configuration space. It is important to note that enabled Virtual Function 0 and 2 would belong to Physical Function 0 and Virtual Function 1 and 3 would belong to Physical Function 1, in this case enabling a total of four Virtual Functions.

17.2 Compiling the Application

To compile the sample application see [Compiling the Sample Applications](#).

The application is located in the `l2fwd-jobstats` sub-directory.

17.3 Running the Application

The application requires a number of command line options:

```
./build/l2fwd-jobstats [EAL options] -- -p PORTMASK [-q NQ] [-l]
```

where,

- `p PORTMASK`: A hexadecimal bitmask of the ports to configure
- `q NQ`: A number of queues (=ports) per lcore (default is 1)
- `l`: Use locale thousands separator when formatting big numbers.

To run the application in linux environment with 4 lcores, 16 ports, 8 RX queues per lcore and thousands separator printing, issue the command:

```
$ ./build/l2fwd-jobstats -l 0-3 -n 4 -- -q 8 -p ffff -l
```

Refer to the *DPDK Getting Started Guide* for general information on running applications and the Environment Abstraction Layer (EAL) options.

17.4 Explanation

The following sections provide some explanation of the code.

17.4.1 Command Line Arguments

The L2 Forwarding sample application takes specific parameters, in addition to Environment Abstraction Layer (EAL) arguments (see [Running the Application](#)). The preferred way to parse parameters is to use the `getopt()` function, since it is part of a well-defined and portable library.

The parsing of arguments is done in the `l2fwd_parse_args()` function. The method of argument parsing is not described here. Refer to the *glibc getopt(3)* man page for details.

EAL arguments are parsed first, then application-specific arguments. This is done at the beginning of the `main()` function:

```
/* init EAL */

ret = rte_eal_init(argc, argv);
if (ret < 0)
    rte_exit(EXIT_FAILURE, "Invalid EAL arguments\n");
```

```

argc -= ret;
argv += ret;

/* parse application arguments (after the EAL ones) */

ret = l2fwd_parse_args(argc, argv);
if (ret < 0)
    rte_exit(EXIT_FAILURE, "Invalid L2FWD arguments\n");

```

17.4.2 Mbuf Pool Initialization

Once the arguments are parsed, the mbuf pool is created. The mbuf pool contains a set of mbuf objects that will be used by the driver and the application to store network packet data:

```

/* create the mbuf pool */
l2fwd_pktmbuf_pool = rte_pktmbuf_pool_create("mbuf_pool", NB_MBUF,
    MEMPOOL_CACHE_SIZE, 0, RTE_MBUF_DEFAULT_BUF_SIZE,
    rte_socket_id());

if (l2fwd_pktmbuf_pool == NULL)
    rte_exit(EXIT_FAILURE, "Cannot init mbuf pool\n");

```

The `rte_mempool` is a generic structure used to handle pools of objects. In this case, it is necessary to create a pool that will be used by the driver. The number of allocated pkt mbufs is `NB_MBUF`, with a data room size of `RTE_MBUF_DEFAULT_BUF_SIZE` each. A per-core cache of `MEMPOOL_CACHE_SIZE` mbufs is kept. The memory is allocated in `rte_socket_id()` socket, but it is possible to extend this code to allocate one mbuf pool per socket.

The `rte_pktmbuf_pool_create()` function uses the default mbuf pool and mbuf initializers, respectively `rte_pktmbuf_pool_init()` and `rte_pktmbuf_init()`. An advanced application may want to use the mempool API to create the mbuf pool with more control.

17.4.3 Driver Initialization

The main part of the code in the `main()` function relates to the initialization of the driver. To fully understand this code, it is recommended to study the chapters that related to the Poll Mode Driver in the *DPDK Programmer's Guide* and the *DPDK API Reference*.

```

/* reset l2fwd_dst_ports */

for (portid = 0; portid < RTE_MAX_ETHPORTS; portid++)
    l2fwd_dst_ports[portid] = 0;

last_port = 0;

/*
 * Each logical core is assigned a dedicated TX queue on each port.
 */
RTE_ETH_FOREACH_DEV(portid) {
    /* skip ports that are not enabled */
    if ((l2fwd_enabled_port_mask & (1 << portid)) == 0)
        continue;

    if (nb_ports_in_mask % 2) {
        l2fwd_dst_ports[portid] = last_port;
        l2fwd_dst_ports[last_port] = portid;
    }
    else

```

```

    last_port = portid;

    nb_ports_in_mask++;

    rte_eth_dev_info_get((uint8_t) portid, &dev_info);
}

```

The next step is to configure the RX and TX queues. For each port, there is only one RX queue (only one lcore is able to poll a given port). The number of TX queues depends on the number of available lcores. The `rte_eth_dev_configure()` function is used to configure the number of queues for a port:

```

ret = rte_eth_dev_configure((uint8_t)portid, 1, 1, &port_conf);
if (ret < 0)
    rte_exit(EXIT_FAILURE, "Cannot configure device: "
            "err=%d, port=%u\n",
            ret, portid);

```

17.4.4 RX Queue Initialization

The application uses one lcore to poll one or several ports, depending on the `-q` option, which specifies the number of queues per lcore.

For example, if the user specifies `-q 4`, the application is able to poll four ports with one lcore. If there are 16 ports on the target (and if the portmask argument is `-p ffff`), the application will need four lcores to poll all the ports.

```

ret = rte_eth_rx_queue_setup(portid, 0, nb_rxd,
    rte_eth_dev_socket_id(portid),
    NULL,
    l2fwd_pktmbuf_pool);

if (ret < 0)
    rte_exit(EXIT_FAILURE, "rte_eth_rx_queue_setup:err=%d, port=%u\n",
            ret, (unsigned) portid);

```

The list of queues that must be polled for a given lcore is stored in a private structure called `struct lcore_queue_conf`.

```

struct lcore_queue_conf {
    unsigned n_rx_port;
    unsigned rx_port_list[MAX_RX_QUEUE_PER_LCORE];
    truct mbuf_table tx_mbufs[RTE_MAX_ETHPORTS];

    struct rte_timer rx_timers[MAX_RX_QUEUE_PER_LCORE];
    struct rte_jobstats port_fwd_jobs[MAX_RX_QUEUE_PER_LCORE];

    struct rte_timer flush_timer;
    struct rte_jobstats flush_job;
    struct rte_jobstats idle_job;
    struct rte_jobstats_context jobs_context;

    rte_atomic16_t stats_read_pending;
    rte_spinlock_t lock;
} __rte_cache_aligned;

```

Values of `struct lcore_queue_conf`:

- `n_rx_port` and `rx_port_list[]` are used in the main packet processing loop (see Section *Receive, Process and Transmit Packets* later in this chapter).
- `rx_timers` and `flush_timer` are used to ensure forced TX on low packet rate.

- flush_job, idle_job and jobs_context are librte_jobstats objects used for managing l2fwd jobs.
- stats_read_pending and lock are used during job stats read phase.

17.4.5 TX Queue Initialization

Each lcore should be able to transmit on any port. For every port, a single TX queue is initialized.

```

/* init one TX queue on each port */

fflush(stdout);
ret = rte_eth_tx_queue_setup(portid, 0, nb_txd,
    rte_eth_dev_socket_id(portid),
    NULL);
if (ret < 0)
    rte_exit(EXIT_FAILURE, "rte_eth_tx_queue_setup:err=%d, port=%u\n",
        ret, (unsigned) portid);

```

17.4.6 Jobs statistics initialization

There are several statistics objects available:

- Flush job statistics

```

rte_jobstats_init(&qconf->flush_job, "flush", drain_tsc, drain_tsc,
    drain_tsc, 0);

rte_timer_init(&qconf->flush_timer);
ret = rte_timer_reset(&qconf->flush_timer, drain_tsc, PERIODICAL,
    lcore_id, &l2fwd_flush_job, NULL);

if (ret < 0) {
    rte_exit(1, "Failed to reset flush job timer for lcore %u: %s",
        lcore_id, rte_strerror(-ret));
}

```

- Statistics per RX port

```

rte_jobstats_init(job, name, 0, drain_tsc, 0, MAX_PKT_BURST);
rte_jobstats_set_update_period_function(job, l2fwd_job_update_cb);

rte_timer_init(&qconf->rx_timers[i]);
ret = rte_timer_reset(&qconf->rx_timers[i], 0, PERIODICAL, lcore_id,
    l2fwd_fwd_job, (void *) (uintptr_t) i);

if (ret < 0) {
    rte_exit(1, "Failed to reset lcore %u port %u job timer: %s",
        lcore_id, qconf->rx_port_list[i], rte_strerror(-ret));
}

```

Following parameters are passed to rte_jobstats_init():

- 0 as minimal poll period
- drain_tsc as maximum poll period
- MAX_PKT_BURST as desired target value (RX burst size)

17.4.7 Main loop

The forwarding path is reworked comparing to original L2 Forwarding application. In the `l2fwd_main_loop()` function three loops are placed.

```

for (;;) {
    rte_spinlock_lock(&qconf->lock);

    do {
        rte_jobstats_context_start(&qconf->jobs_context);

        /* Do the Idle job:
         * - Read stats_read_pending flag
         * - check if some real job need to be executed
         */
        rte_jobstats_start(&qconf->jobs_context, &qconf->idle_job);

        do {
            uint8_t i;
            uint64_t now = rte_get_timer_cycles();

            need_manage = qconf->flush_timer.expire < now;
            /* Check if we was asked to give a stats. */
            stats_read_pending =
                rte_atomic16_read(&qconf->stats_read_pending);
            need_manage |= stats_read_pending;

            for (i = 0; i < qconf->n_rx_port && !need_manage; i++)
                need_manage = qconf->rx_timers[i].expire < now;

        } while (!need_manage);
        rte_jobstats_finish(&qconf->idle_job, qconf->idle_job.target);

        rte_timer_manage();
        rte_jobstats_context_finish(&qconf->jobs_context);
    } while (likely(stats_read_pending == 0));

    rte_spinlock_unlock(&qconf->lock);
    rte_pause();
}

```

First infinite for loop is to minimize impact of stats reading. Lock is only locked/unlocked when asked.

Second inner while loop do the whole jobs management. When any job is ready, the use `rte_timer_manage()` is used to call the job handler. In this place functions `l2fwd_fwd_job()` and `l2fwd_flush_job()` are called when needed. Then `rte_jobstats_context_finish()` is called to mark loop end - no other jobs are ready to execute. By this time stats are ready to be read and if `stats_read_pending` is set, loop breaks allowing stats to be read.

Third do-while loop is the idle job (idle stats counter). Its only purpose is monitoring if any job is ready or stats job read is pending for this lcore. Statistics from this part of code is considered as the headroom available for additional processing.

17.4.8 Receive, Process and Transmit Packets

The main task of `l2fwd_fwd_job()` function is to read ingress packets from the RX queue of particular port and forward it. This is done using the following code:

```

total_nb_rx = rte_eth_rx_burst((uint8_t) portid, 0, pkts_burst,
                               MAX_PKT_BURST);

for (j = 0; j < total_nb_rx; j++) {
    m = pkts_burst[j];
    rte_prefetch0(rte_pktmbuf_mtod(m, void *));
    l2fwd_simple_forward(m, portid);
}

```

Packets are read in a burst of size MAX_PKT_BURST. Then, each mbuf in the table is processed by the l2fwd_simple_forward() function. The processing is very simple: process the TX port from the RX port, then replace the source and destination MAC addresses.

The rte_eth_rx_burst() function writes the mbuf pointers in a local table and returns the number of available mbufs in the table.

After first read second try is issued.

```

if (total_nb_rx == MAX_PKT_BURST) {
    const uint16_t nb_rx = rte_eth_rx_burst((uint8_t) portid, 0, pkts_burst,
                                             MAX_PKT_BURST);

    total_nb_rx += nb_rx;
    for (j = 0; j < nb_rx; j++) {
        m = pkts_burst[j];
        rte_prefetch0(rte_pktmbuf_mtod(m, void *));
        l2fwd_simple_forward(m, portid);
    }
}

```

This second read is important to give job stats library a feedback how many packets was processed.

```

/* Adjust period time in which we are running here. */
if (rte_jobstats_finish(job, total_nb_rx) != 0) {
    rte_timer_reset(&qconf->rx_timers[port_idx], job->period, PERIODICAL,
                   lcore_id, l2fwd_fwd_job, arg);
}

```

To maximize performance exactly MAX_PKT_BURST is expected (the target value) to be read for each l2fwd_fwd_job() call. If total_nb_rx is smaller than target value job->period will be increased. If it is greater the period will be decreased.

Note: In the following code, one line for getting the output port requires some explanation.

During the initialization process, a static array of destination ports (l2fwd_dst_ports[]) is filled such that for each source port, a destination port is assigned that is either the next or previous enabled port from the portmask. Naturally, the number of ports in the portmask must be even, otherwise, the application exits.

```

static void
l2fwd_simple_forward(struct rte_mbuf *m, unsigned portid)
{
    struct ether_hdr *eth;
    void *tmp;
    unsigned dst_port;

    dst_port = l2fwd_dst_ports[portid];

    eth = rte_pktmbuf_mtod(m, struct ether_hdr *);

    /* 02:00:00:00:00:xx */
}

```



```

tmp = &eth->d_addr.addr_bytes[0];

*((uint64_t *)tmp) = 0x000000000002 + ((uint64_t) dst_port << 40);

/* src addr */

ether_addr_copy(&l2fwd_ports_eth_addr[dst_port], &eth->s_addr);

l2fwd_send_packet(m, (uint8_t) dst_port);
}

```

Then, the packet is sent using the `l2fwd_send_packet(m, dst_port)` function. For this test application, the processing is exactly the same for all packets arriving on the same RX port. Therefore, it would have been possible to call the `l2fwd_send_burst()` function directly from the main loop to send all the received packets on the same TX port, using the burst-oriented send function, which is more efficient.

However, in real-life applications (such as, L3 routing), packet N is not necessarily forwarded on the same port as packet N-1. The application is implemented to illustrate that, so the same approach can be reused in a more complex application.

The `l2fwd_send_packet()` function stores the packet in a per-lcore and per-txport table. If the table is full, the whole packets table is transmitted using the `l2fwd_send_burst()` function:

```

/* Send the packet on an output interface */

static int
l2fwd_send_packet(struct rte_mbuf *m, uint16_t port)
{
    unsigned lcore_id, len;
    struct lcore_queue_conf *qconf;

    lcore_id = rte_lcore_id();
    qconf = &lcore_queue_conf[lcore_id];
    len = qconf->tx_mbufs[port].len;
    qconf->tx_mbufs[port].m_table[len] = m;
    len++;

    /* enough pkts to be sent */

    if (unlikely(len == MAX_PKT_BURST)) {
        l2fwd_send_burst(qconf, MAX_PKT_BURST, port);
        len = 0;
    }

    qconf->tx_mbufs[port].len = len; return 0;
}

```

To ensure that no packets remain in the tables, the flush job exists. The `l2fwd_flush_job()` is called periodically to for each lcore draining TX queue of each port. This technique introduces some latency when there are not many packets to send, however it improves performance:

```

static void
l2fwd_flush_job(__rte_unused struct rte_timer *timer, __rte_unused void *arg)
{
    uint64_t now;
    unsigned lcore_id;
    struct lcore_queue_conf *qconf;
    struct mbuf_table *m_table;
    uint16_t portid;
}

```

```
lcore_id = rte_lcore_id();
qconf = &lcore_queue_conf[lcore_id];

rte_jobstats_start(&qconf->jobs_context, &qconf->flush_job);

now = rte_get_timer_cycles();
lcore_id = rte_lcore_id();
qconf = &lcore_queue_conf[lcore_id];
for (portid = 0; portid < RTE_MAX_ETHPORTS; portid++) {
    m_table = &qconf->tx_mbufs[portid];
    if (m_table->len == 0 || m_table->next_flush_time <= now)
        continue;

    l2fwd_send_burst(qconf, portid);
}

/* Pass target to indicate that this job is happy of time interval
 * in which it was called. */
rte_jobstats_finish(&qconf->flush_job, qconf->flush_job.target);
}
```

L2 FORWARDING SAMPLE APPLICATION (IN REAL AND VIRTUALIZED ENVIRONMENTS)

The L2 Forwarding sample application is a simple example of packet processing using the Data Plane Development Kit (DPDK) which also takes advantage of Single Root I/O Virtualization (SR-IOV) features in a virtualized environment.

Note: Please note that previously a separate L2 Forwarding in Virtualized Environments sample application was used, however, in later DPDK versions these sample applications have been merged.

18.1 Overview

The L2 Forwarding sample application, which can operate in real and virtualized environments, performs L2 forwarding for each packet that is received on an RX_PORT. The destination port is the adjacent port from the enabled portmask, that is, if the first four ports are enabled (portmask 0xf), ports 1 and 2 forward into each other, and ports 3 and 4 forward into each other. Also, if MAC addresses updating is enabled, the MAC addresses are affected as follows:

- The source MAC address is replaced by the TX_PORT MAC address
- The destination MAC address is replaced by 02:00:00:00:00:TX_PORT_ID

This application can be used to benchmark performance using a traffic-generator, as shown in the [Fig. 18.1](#), or in a virtualized environment as shown in [Fig. 18.2](#).

This application may be used for basic VM to VM communication as shown in [Fig. 18.3](#), when MAC addresses updating is disabled.

The L2 Forwarding application can also be used as a starting point for developing a new application based on the DPDK.

18.1.1 Virtual Function Setup Instructions

This application can use the virtual function available in the system and therefore can be used in a virtual machine without passing through the whole Network Device into a guest machine in a virtualized scenario. The virtual functions can be enabled in the host machine or the hypervisor with the respective physical function driver.

For example, in a Linux* host machine, it is possible to enable a virtual function using the following command:

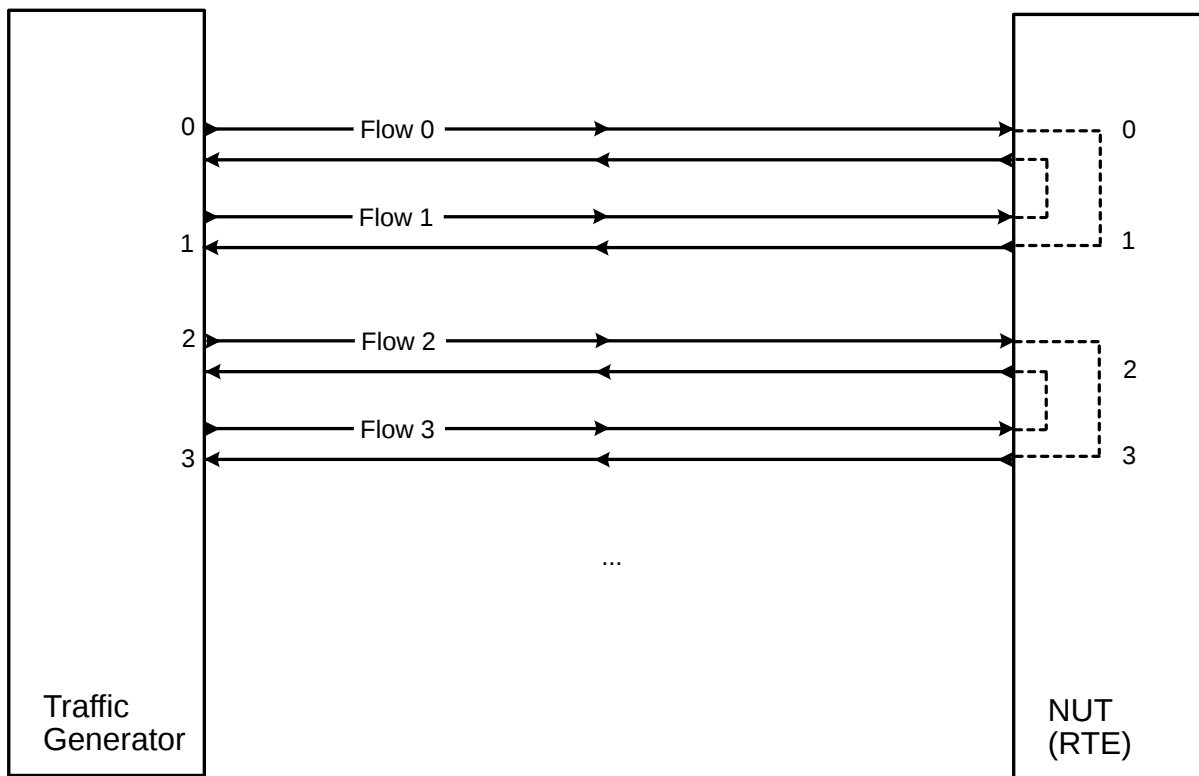


Fig. 18.1: Performance Benchmark Setup (Basic Environment)

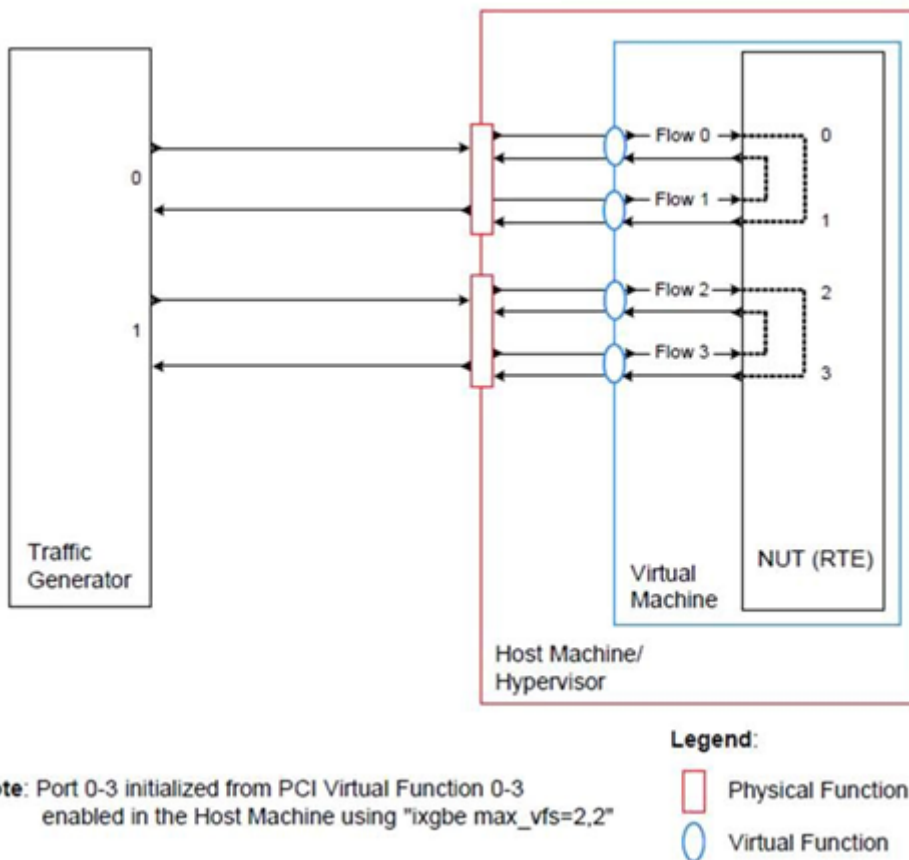


Fig. 18.2: Performance Benchmark Setup (Virtualized Environment)

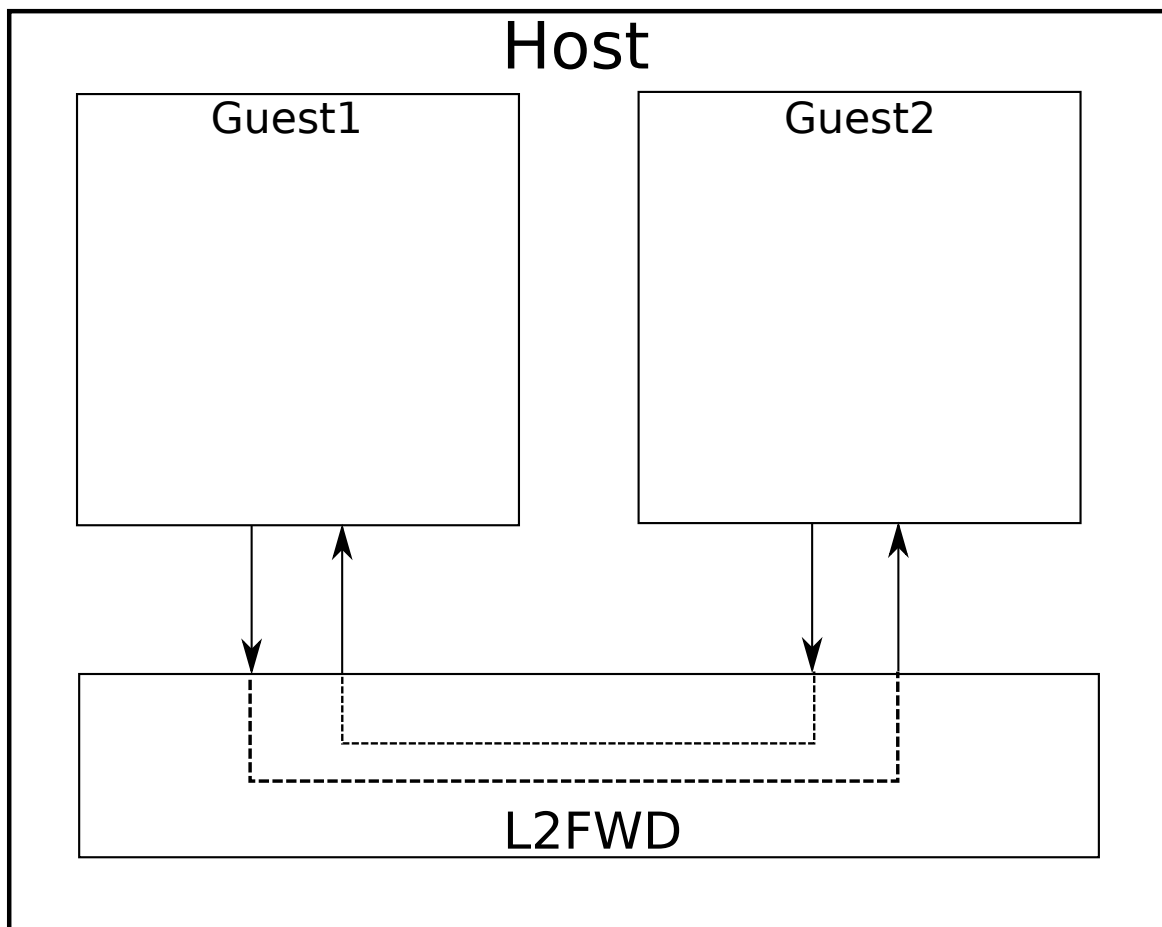


Fig. 18.3: Virtual Machine to Virtual Machine communication.

```
modprobe ixgbe max_vfs=2,2
```

This command enables two Virtual Functions on each of Physical Function of the NIC, with two physical ports in the PCI configuration space. It is important to note that enabled Virtual Function 0 and 2 would belong to Physical Function 0 and Virtual Function 1 and 3 would belong to Physical Function 1, in this case enabling a total of four Virtual Functions.

18.2 Compiling the Application

To compile the sample application see [Compiling the Sample Applications](#).

The application is located in the `l2fwd` sub-directory.

18.3 Running the Application

The application requires a number of command line options:

```
./build/l2fwd [EAL options] -- -p PORTMASK [-q NQ] --[no-]mac-updating
```

where,

- `p PORTMASK`: A hexadecimal bitmask of the ports to configure
- `q NQ`: A number of queues (=ports) per lcore (default is 1)
- `--[no-]mac-updating`: Enable or disable MAC addresses updating (enabled by default).

To run the application in linux environment with 4 lcores, 16 ports and 8 RX queues per lcore and MAC address updating enabled, issue the command:

```
$ ./build/l2fwd -l 0-3 -n 4 -- -q 8 -p ffff
```

Refer to the *DPDK Getting Started Guide* for general information on running applications and the Environment Abstraction Layer (EAL) options.

18.4 Explanation

The following sections provide some explanation of the code.

18.4.1 Command Line Arguments

The L2 Forwarding sample application takes specific parameters, in addition to Environment Abstraction Layer (EAL) arguments. The preferred way to parse parameters is to use the `getopt()` function, since it is part of a well-defined and portable library.

The parsing of arguments is done in the `l2fwd_parse_args()` function. The method of argument parsing is not described here. Refer to the *glibc getopt(3)* man page for details.

EAL arguments are parsed first, then application-specific arguments. This is done at the beginning of the `main()` function:

```

/* init EAL */

ret = rte_eal_init(argc, argv);
if (ret < 0)
    rte_exit(EXIT_FAILURE, "Invalid EAL arguments\n");

argc -= ret;
argv += ret;

/* parse application arguments (after the EAL ones) */

ret = l2fwd_parse_args(argc, argv);
if (ret < 0)
    rte_exit(EXIT_FAILURE, "Invalid L2FWD arguments\n");

```

18.4.2 Mbuf Pool Initialization

Once the arguments are parsed, the mbuf pool is created. The mbuf pool contains a set of mbuf objects that will be used by the driver and the application to store network packet data:

```

/* create the mbuf pool */

l2fwd_pktmbuf_pool = rte_pktmbuf_pool_create("mbuf_pool", NB_MBUF,
MEMPOOL_CACHE_SIZE, 0, RTE_MBUF_DEFAULT_BUF_SIZE,
rte_socket_id());

if (l2fwd_pktmbuf_pool == NULL)
    rte_panic("Cannot init mbuf pool\n");

```

The `rte_mempool` is a generic structure used to handle pools of objects. In this case, it is necessary to create a pool that will be used by the driver. The number of allocated pkt mbufs is `NB_MBUF`, with a data room size of `RTE_MBUF_DEFAULT_BUF_SIZE` each. A per-core cache of 32 mbufs is kept. The memory is allocated in NUMA socket 0, but it is possible to extend this code to allocate one mbuf pool per socket.

The `rte_pktmbuf_pool_create()` function uses the default mbuf pool and mbuf initializers, respectively `rte_pktmbuf_pool_init()` and `rte_pktmbuf_init()`. An advanced application may want to use the mempool API to create the mbuf pool with more control.

18.4.3 Driver Initialization

The main part of the code in the `main()` function relates to the initialization of the driver. To fully understand this code, it is recommended to study the chapters that related to the Poll Mode Driver in the *DPDK Programmer's Guide - Rel 1.4 EAR* and the *DPDK API Reference*.

```

if (rte_pci_probe() < 0)
    rte_exit(EXIT_FAILURE, "Cannot probe PCI\n");

/* reset l2fwd_dst_ports */

for (portid = 0; portid < RTE_MAX_ETHPORTS; portid++)
    l2fwd_dst_ports[portid] = 0;

last_port = 0;

/*
 * Each logical core is assigned a dedicated TX queue on each port.
 */

```

```

RTE_ETH_FOREACH_DEV(portid) {
    /* skip ports that are not enabled */

    if ((l2fwd_enabled_port_mask & (1 << portid)) == 0)
        continue;

    if (nb_ports_in_mask % 2) {
        l2fwd_dst_ports[portid] = last_port;
        l2fwd_dst_ports[last_port] = portid;
    }
    else
        last_port = portid;

    nb_ports_in_mask++;

    rte_eth_dev_info_get((uint8_t) portid, &dev_info);
}

```

Observe that:

- `rte_igb_pmd_init_all()` simultaneously registers the driver as a PCI driver and as an Ethernet* Poll Mode Driver.
- `rte_pci_probe()` parses the devices on the PCI bus and initializes recognized devices.

The next step is to configure the RX and TX queues. For each port, there is only one RX queue (only one lcore is able to poll a given port). The number of TX queues depends on the number of available lcores. The `rte_eth_dev_configure()` function is used to configure the number of queues for a port:

```

ret = rte_eth_dev_configure((uint8_t)portid, 1, 1, &port_conf);
if (ret < 0)
    rte_exit(EXIT_FAILURE, "Cannot configure device: "
             "err=%d, port=%u\n",
             ret, portid);

```

18.4.4 RX Queue Initialization

The application uses one lcore to poll one or several ports, depending on the `-q` option, which specifies the number of queues per lcore.

For example, if the user specifies `-q 4`, the application is able to poll four ports with one lcore. If there are 16 ports on the target (and if the portmask argument is `-p ffff`), the application will need four lcores to poll all the ports.

```

ret = rte_eth_rx_queue_setup((uint8_t) portid, 0, nb_rxd, SOCKET0, &rx_conf, l2fwd_pktmbuf_pool);
if (ret < 0)

    rte_exit(EXIT_FAILURE, "rte_eth_rx_queue_setup: "
             "err=%d, port=%u\n",
             ret, portid);

```

The list of queues that must be polled for a given lcore is stored in a private structure called `struct lcore_queue_conf`.

```

struct lcore_queue_conf {
    unsigned n_rx_port;
    unsigned rx_port_list[MAX_RX_QUEUE_PER_LCORE];
    struct mbuf_table tx_mbufs[L2FWD_MAX_PORTS];
} rte_cache_aligned;

struct lcore_queue_conf lcore_queue_conf[RTE_MAX_LCORE];

```


The values `n_rx_port` and `rx_port_list[]` are used in the main packet processing loop (see [Receive, Process and Transmit Packets](#)).

The global configuration for the RX queues is stored in a static structure:

```
static const struct rte_eth_rxconf rx_conf = {
    .rx_thresh = {
        .pthresh = RX_PTHRESH,
        .hthresh = RX_HTHRESH,
        .wthresh = RX_WTHRESH,
    },
};
```

18.4.5 TX Queue Initialization

Each lcore should be able to transmit on any port. For every port, a single TX queue is initialized.

```
/* init one TX queue on each port */

fflush(stdout);

ret = rte_eth_tx_queue_setup((uint8_t) portid, 0, nb_txd, rte_eth_dev_socket_id(portid), &tx_co
if (ret < 0)
    rte_exit(EXIT_FAILURE, "rte_eth_tx_queue_setup:err=%d, port=%u\n", ret, (unsigned) portid);
```

The global configuration for TX queues is stored in a static structure:

```
static const struct rte_eth_txconf tx_conf = {
    .tx_thresh = {
        .pthresh = TX_PTHRESH,
        .hthresh = TX_HTHRESH,
        .wthresh = TX_WTHRESH,
    },
    .tx_free_thresh = RTE_TEST_TX_DESC_DEFAULT + 1, /* disable feature */
};
```

18.4.6 Receive, Process and Transmit Packets

In the `l2fwd_main_loop()` function, the main task is to read ingress packets from the RX queues. This is done using the following code:

```
/*
 * Read packet from RX queues
 */

for (i = 0; i < qconf->n_rx_port; i++) {
    portid = qconf->rx_port_list[i];
    nb_rx = rte_eth_rx_burst((uint8_t) portid, 0, pkts_burst, MAX_PKT_BURST);

    for (j = 0; j < nb_rx; j++) {
        m = pkts_burst[j];
        rte_prefetch0[rte_pktmbuf_mtod(m, void *)]; l2fwd_simple_forward(m, portid);
    }
}
```

Packets are read in a burst of size `MAX_PKT_BURST`. The `rte_eth_rx_burst()` function writes the mbuf pointers in a local table and returns the number of available mbufs in the table.

Then, each mbuf in the table is processed by the `l2fwd_simple_forward()` function. The processing is very simple: process the TX port from the RX port, then replace the source and destination MAC addresses if MAC addresses updating is enabled.

Note: In the following code, one line for getting the output port requires some explanation.

During the initialization process, a static array of destination ports (`l2fwd_dst_ports[]`) is filled such that for each source port, a destination port is assigned that is either the next or previous enabled port from the portmask. Naturally, the number of ports in the portmask must be even, otherwise, the application exits.

```
static void
l2fwd_simple_forward(struct rte_mbuf *m, unsigned portid)
{
    struct ether_hdr *eth;
    void *tmp;
    unsigned dst_port;

    dst_port = l2fwd_dst_ports[portid];

    eth = rte_pktmbuf_mtod(m, struct ether_hdr *);

    /* 02:00:00:00:00:xx */

    tmp = &eth->d_addr.addr_bytes[0];

    *((uint64_t *)tmp) = 0x0000000000002 + ((uint64_t) dst_port << 40);

    /* src addr */

    ether_addr_copy(&l2fwd_ports_eth_addr[dst_port], &eth->s_addr);

    l2fwd_send_packet(m, (uint8_t) dst_port);
}
```

Then, the packet is sent using the `l2fwd_send_packet(m, dst_port)` function. For this test application, the processing is exactly the same for all packets arriving on the same RX port. Therefore, it would have been possible to call the `l2fwd_send_burst()` function directly from the main loop to send all the received packets on the same TX port, using the burst-oriented send function, which is more efficient.

However, in real-life applications (such as, L3 routing), packet N is not necessarily forwarded on the same port as packet N-1. The application is implemented to illustrate that, so the same approach can be reused in a more complex application.

The `l2fwd_send_packet()` function stores the packet in a per-lcore and per-txport table. If the table is full, the whole packets table is transmitted using the `l2fwd_send_burst()` function:

```
/* Send the packet on an output interface */

static int
l2fwd_send_packet(struct rte_mbuf *m, uint16_t port)
{
    unsigned lcore_id, len;
    struct lcore_queue_conf *qconf;

    lcore_id = rte_lcore_id();
    qconf = &lcore_queue_conf[lcore_id];
    len = qconf->tx_mbufs[port].len;
    qconf->tx_mbufs[port].m_table[len] = m;
    len++;
}
```

```

    /* enough pkts to be sent */

    if (unlikely(len == MAX_PKT_BURST)) {
        l2fwd_send_burst(qconf, MAX_PKT_BURST, port);
        len = 0;
    }

    qconf->tx_mbufs[port].len = len; return 0;
}

```

To ensure that no packets remain in the tables, each lcore does a draining of TX queue in its main loop. This technique introduces some latency when there are not many packets to send, however it improves performance:

```

cur_tsc = rte_rdtsc();

/*
 * TX burst queue drain
 */

diff_tsc = cur_tsc - prev_tsc;

if (unlikely(diff_tsc > drain_tsc)) {
    for (portid = 0; portid < RTE_MAX_ETHPORTS; portid++) {
        if (qconf->tx_mbufs[portid].len == 0)
            continue;

        l2fwd_send_burst(&lcore_queue_conf[lcore_id], qconf->tx_mbufs[portid].len, (uint8_t) portid);

        qconf->tx_mbufs[portid].len = 0;
    }

    /* if timer is enabled */

    if (timer_period > 0) {
        /* advance the timer */

        timer_tsc += diff_tsc;

        /* if timer has reached its timeout */

        if (unlikely(timer_tsc >= (uint64_t) timer_period)) {
            /* do this only on master core */

            if (lcore_id == rte_get_master_lcore()) {
                print_stats();

                /* reset the timer */
                timer_tsc = 0;
            }
        }
    }

    prev_tsc = cur_tsc;
}

```

L2 FORWARDING SAMPLE APPLICATION WITH CACHE ALLOCATION TECHNOLOGY (CAT)

Basic Forwarding sample application is a simple *skeleton* example of a forwarding application. It has been extended to make use of CAT via extended command line options and linking against the libpqos library.

It is intended as a demonstration of the basic components of a DPDK forwarding application and use of the libpqos library to program CAT. For more detailed implementations see the L2 and L3 forwarding sample applications.

CAT and Code Data Prioritization (CDP) features allow management of the CPU's last level cache. CAT introduces classes of service (COS) that are essentially bitmasks. In current CAT implementations, a bit in a COS bitmask corresponds to one cache way in last level cache. A CPU core is always assigned to one of the CAT classes. By programming CPU core assignment and COS bitmasks, applications can be given exclusive, shared, or mixed access to the CPU's last level cache. CDP extends CAT so that there are two bitmasks per COS, one for data and one for code. The number of classes and number of valid bits in a COS bitmask is CPU model specific and COS bitmasks need to be contiguous. Sample code calls this bitmask `c_bm` or capacity bitmask. By default, after reset, all CPU cores are assigned to COS 0 and all classes are programmed to allow fill into all cache ways. CDP is off by default.

For more information about CAT please see:

- <https://github.com/01org/intel-cmt-cat>

White paper demonstrating example use case:

- [Increasing Platform Determinism with Platform Quality of Service for the Data Plane Development Kit](#)

19.1 Compiling the Application

Note: Requires `libpqos` from Intel's [intel-cmt-cat](#) software package hosted on GitHub repository. For installation notes, please see `README` file.

GIT:

- <https://github.com/01org/intel-cmt-cat>

-
1. To compile the application export the path to PQoS lib and the DPDK source tree and go to the example directory:

```
export PQOS_INSTALL_PATH=/path/to/libpqos
```

To compile the sample application see [Compiling the Sample Applications](#).

The application is located in the `l2fwd-cat` sub-directory.

19.2 Running the Application

To run the example in a `linux` environment and enable CAT on cpus 0-2:

```
./build/l2fwd-cat -l 1 -n 4 -- --l3ca="0x3@(0-2) "
```

or to enable CAT and CDP on cpus 1,3:

```
./build/l2fwd-cat -l 1 -n 4 -- --l3ca="(0x00C00,0x00300)@(1,3) "
```

If CDP is not supported it will fail with following error message:

```
PQoS: CDP requested but not supported.
PQoS: Requested CAT configuration is not valid!
PQoS: Shutting down PQoS library...
EAL: Error - exiting with code: 1
Cause: PQoS: L3CA init failed!
```

The option to enable CAT is:

- `--l3ca=' <common_cbm@cpus> [, <(code_cbm, data_cbm) @cpus>...]'`:

where `cbm` stands for capacity bitmask and must be expressed in hexadecimal form.

`common_cbm` is a single mask, for a CDP enabled system, a group of two masks (`code_cbm` and `data_cbm`) is used.

(`and`) are necessary if it's a group.

`cpus` could be a single digit/range or a group and must be expressed in decimal form.

(`and`) are necessary if it's a group.

e.g. `--l3ca=' 0x00F00@(1,3), 0x0FF00@(4-6), 0xF0000@7'`

- cpus 1 and 3 share its 4 ways with cpus 4, 5 and 6;
- cpus 4, 5 and 6 share half (4 out of 8 ways) of its L3 with cpus 1 and 3;
- cpus 4, 5 and 6 have exclusive access to 4 out of 8 ways;
- cpu 7 has exclusive access to all of its 4 ways;

e.g. `--l3ca=' (0x00C00, 0x00300)@(1,3)'` for CDP enabled system

- cpus 1 and 3 have access to 2 ways for code and 2 ways for data, code and data ways are not overlapping.

Refer to *DPDK Getting Started Guide* for general information on running applications and the Environment Abstraction Layer (EAL) options.

To reset or list CAT configuration and control CDP please use `pqos` tool from Intel's [intel-cmt-cat software package](#).

To enabled or disable CDP:

```
sudo ./pqos -S cdp-on
sudo ./pqos -S cdp-off
```

to reset CAT configuration:

```
sudo ./pqos -R
```

to list CAT config:

```
sudo ./pqos -s
```

For more info about `pqos` tool please see its man page or [intel-cmt-cat wiki](#).

19.3 Explanation

The following sections provide an explanation of the main components of the code.

All DPDK library functions used in the sample code are prefixed with `rte_` and are explained in detail in the *DPDK API Documentation*.

19.3.1 The Main Function

The `main()` function performs the initialization and calls the execution threads for each lcore.

The first task is to initialize the Environment Abstraction Layer (EAL). The `argc` and `argv` arguments are provided to the `rte_eal_init()` function. The value returned is the number of parsed arguments:

```
int ret = rte_eal_init(argc, argv);
if (ret < 0)
    rte_exit(EXIT_FAILURE, "Error with EAL initialization\n");
```

The next task is to initialize the PQoS library and configure CAT. The `argc` and `argv` arguments are provided to the `cat_init()` function. The value returned is the number of parsed arguments:

```
int ret = cat_init(argc, argv);
if (ret < 0)
    rte_exit(EXIT_FAILURE, "PQOS: L3CA init failed!\n");
```

`cat_init()` is a wrapper function which parses the command, validates the requested parameters and configures CAT accordingly.

Parsing of command line arguments is done in `parse_args(...)`. `libpqos` is then initialized with the `pqos_init(...)` call. Next, `libpqos` is queried for system CPU information and L3CA capabilities via `pqos_cap_get(...)` and `pqos_cap_get_type(..., PQOS_CAP_TYPE_L3CA, ...)` calls. When all capability and topology information is collected, the requested CAT configuration is validated. A check is then performed (on per socket basis) for a sufficient number of un-associated COS. COS are selected and configured via the `pqos_l3ca_set(...)` call. Finally, COS are associated to relevant CPUs via `pqos_l3ca_assoc_set(...)` calls.

`atexit(...)` is used to register `cat_exit(...)` to be called on a clean exit. `cat_exit(...)` performs a simple CAT clean-up, by associating COS 0 to all involved CPUs via `pqos_l3ca_assoc_set(...)` calls.

L3 FORWARDING SAMPLE APPLICATION

The L3 Forwarding application is a simple example of packet processing using the DPDK. The application performs L3 forwarding.

20.1 Overview

The application demonstrates the use of the hash and LPM libraries in the DPDK to implement packet forwarding. The initialization and run-time paths are very similar to those of the [L2 Forwarding Sample Application \(in Real and Virtualized Environments\)](#). The main difference from the L2 Forwarding sample application is that the forwarding decision is made based on information read from the input packet.

The lookup method is either hash-based or LPM-based and is selected at run time. When the selected lookup method is hash-based, a hash object is used to emulate the flow classification stage. The hash object is used in correlation with a flow table to map each input packet to its flow at runtime.

The hash lookup key is represented by a DiffServ 5-tuple composed of the following fields read from the input packet: Source IP Address, Destination IP Address, Protocol, Source Port and Destination Port. The ID of the output interface for the input packet is read from the identified flow table entry. The set of flows used by the application is statically configured and loaded into the hash at initialization time. When the selected lookup method is LPM based, an LPM object is used to emulate the forwarding stage for IPv4 packets. The LPM object is used as the routing table to identify the next hop for each input packet at runtime.

The LPM lookup key is represented by the Destination IP Address field read from the input packet. The ID of the output interface for the input packet is the next hop returned by the LPM lookup. The set of LPM rules used by the application is statically configured and loaded into the LPM object at initialization time.

In the sample application, hash-based forwarding supports IPv4 and IPv6. LPM-based forwarding supports IPv4 only.

20.2 Compiling the Application

To compile the sample application see [Compiling the Sample Applications](#).

The application is located in the `l3fwd` sub-directory.

20.3 Running the Application

The application has a number of command line options:

```
./l3fwd [EAL options] -- -p PORTMASK
                    [-P]
                    [-E]
                    [-L]
                    --config(port,queue,lcore) [, (port,queue,lcore) ]
                    [--eth-dest=X,MM:MM:MM:MM:MM:MM]
                    [--enable-jumbo [--max-pkt-len PKTLEN]]
                    [--no-numa]
                    [--hash-entry-num]
                    [--ipv6]
                    [--parse-ptype]
                    [--per-port-pool]
```

Where,

- `-p PORTMASK`: Hexadecimal bitmask of ports to configure
- `-P`: Optional, sets all ports to promiscuous mode so that packets are accepted regardless of the packet's Ethernet MAC destination address. Without this option, only packets with the Ethernet MAC destination address set to the Ethernet address of the port are accepted.
- `-E`: Optional, enable exact match.
- `-L`: Optional, enable longest prefix match.
- `--config (port,queue,lcore) [, (port,queue,lcore)]`: Determines which queues from which ports are mapped to which cores.
- `--eth-dest=X,MM:MM:MM:MM:MM:MM`: Optional, ethernet destination for port X.
- `--enable-jumbo`: Optional, enables jumbo frames.
- `--max-pkt-len`: Optional, under the premise of enabling jumbo, maximum packet length in decimal (64-9600).
- `--no-numa`: Optional, disables numa awareness.
- `--hash-entry-num`: Optional, specifies the hash entry number in hexadecimal to be setup.
- `--ipv6`: Optional, set if running ipv6 packets.
- `--parse-ptype`: Optional, set to use software to analyze packet type. Without this option, hardware will check the packet type.
- `--per-port-pool`: Optional, set to use independent buffer pools per port. Without this option, single buffer pool is used for all ports.

For example, consider a dual processor socket platform with 8 physical cores, where cores 0-7 and 16-23 appear on socket 0, while cores 8-15 and 24-31 appear on socket 1.

To enable L3 forwarding between two ports, assuming that both ports are in the same socket, using two cores, cores 1 and 2, (which are in the same socket too), use the following command:

```
./build/l3fwd -l 1,2 -n 4 -- -p 0x3 --config="(0,0,1),(1,0,2)"
```

In this command:

- The `-l` option enables cores 1, 2
- The `-p` option enables ports 0 and 1
- The `--config` option enables one queue on each port and maps each (port,queue) pair to a specific core. The following table shows the mapping in this example:

| Port | Queue | lcore | Description |
|------|-------|-------|-------------------------------------|
| 0 | 0 | 1 | Map queue 0 from port 0 to lcore 1. |
| 1 | 0 | 2 | Map queue 0 from port 1 to lcore 2. |

Refer to the *DPDK Getting Started Guide* for general information on running applications and the Environment Abstraction Layer (EAL) options.

20.4 Explanation

The following sections provide some explanation of the sample application code. As mentioned in the overview section, the initialization and run-time paths are very similar to those of the [L2 Forwarding Sample Application \(in Real and Virtualized Environments\)](#). The following sections describe aspects that are specific to the L3 Forwarding sample application.

20.4.1 Hash Initialization

The hash object is created and loaded with the pre-configured entries read from a global array, and then generate the expected 5-tuple as key to keep consistence with those of real flow for the convenience to execute hash performance test on 4M/8M/16M flows.

Note: The Hash initialization will setup both ipv4 and ipv6 hash table, and populate the either table depending on the value of variable `ipv6`. To support the hash performance test with up to 8M single direction flows/16M bi-direction flows, `populate_ipv4_many_flow_into_table()` function will populate the hash table with specified hash table entry number(default 4M).

Note: Value of global variable `ipv6` can be specified with `--ipv6` in the command line. Value of global variable `hash_entry_number`, which is used to specify the total hash entry number for all used ports in hash performance test, can be specified with `--hash-entry-num VALUE` in command line, being its default value 4.

```
#if (APP_LOOKUP_METHOD == APP_LOOKUP_EXACT_MATCH)

static void
setup_hash(int socketid)
{
    // ...

    if (hash_entry_number != HASH_ENTRY_NUMBER_DEFAULT) {
        if (ipv6 == 0) {
            /* populate the ipv4 hash */
            populate_ipv4_many_flow_into_table(ipv4_l3fwd_lookup_struct[socketid], hash_ent
        } else {
            /* populate the ipv6 hash */
            populate_ipv6_many_flow_into_table( ipv6_l3fwd_lookup_struct[socketid], hash_en
        }
    }
} else
    if (ipv6 == 0) {
```

```

        /* populate the ipv4 hash */
        populate_ipv4_few_flow_into_table(ipv4_l3fwd_lookup_struct[socketid]);
    } else {
        /* populate the ipv6 hash */
        populate_ipv6_few_flow_into_table(ipv6_l3fwd_lookup_struct[socketid]);
    }
}
}
#endif

```

20.4.2 LPM Initialization

The LPM object is created and loaded with the pre-configured entries read from a global array.

```

#if (APP_LOOKUP_METHOD == APP_LOOKUP_LPM)

static void
setup_lpm(int socketid)
{
    unsigned i;
    int ret;
    char s[64];

    /* create the LPM table */

    snprintf(s, sizeof(s), "IPV4_L3FWD_LPM_%d", socketid);

    ipv4_l3fwd_lookup_struct[socketid] = rte_lpm_create(s, socketid, IPV4_L3FWD_LPM_MAX_RULES,

    if (ipv4_l3fwd_lookup_struct[socketid] == NULL)
        rte_exit(EXIT_FAILURE, "Unable to create the l3fwd LPM table"
            " on socket %d\n", socketid);

    /* populate the LPM table */

    for (i = 0; i < IPV4_L3FWD_NUM_ROUTES; i++) {
        /* skip unused ports */

        if ((1 << ipv4_l3fwd_route_array[i].if_out & enabled_port_mask) == 0)
            continue;

        ret = rte_lpm_add(ipv4_l3fwd_lookup_struct[socketid], ipv4_l3fwd_route_array[i].ip,
            ipv4_l3fwd_route_array[i].depth, ipv4_l3fwd_route_array[i].if_c

        if (ret < 0) {
            rte_exit(EXIT_FAILURE, "Unable to add entry %u to the "
                "l3fwd LPM table on socket %d\n", i, socketid);
        }

        printf("LPM: Adding route 0x%08x / %d (%d)\n",
            (unsigned)ipv4_l3fwd_route_array[i].ip, ipv4_l3fwd_route_array[i].depth, ipv4_l3fwd

    }
}
#endif

```

20.4.3 Packet Forwarding for Hash-based Lookups

For each input packet, the packet forwarding operation is done by the `l3fwd_simple_forward()` or `simple_ipv4_fwd_4pkts()` function for IPv4 packets or the `simple_ipv6_fwd_4pkts()` function for IPv6 packets. The `l3fwd_simple_forward()` function provides the basic functionality

for both IPv4 and IPv6 packet forwarding for any number of burst packets received, and the packet forwarding decision (that is, the identification of the output interface for the packet) for hash-based lookups is done by the `get_ipv4_dst_port()` or `get_ipv6_dst_port()` function. The `get_ipv4_dst_port()` function is shown below:

```
static inline uint8_t
get_ipv4_dst_port(void *ipv4_hdr, uint16_t portid, lookup_struct_t *ipv4_l3fwd_lookup_struct)
{
    int ret = 0;
    union ipv4_5tuple_host key;

    ipv4_hdr = (uint8_t *)ipv4_hdr + offsetof(struct ipv4_hdr, time_to_live);

    m128i data = _mm_loadu_si128(( m128i*) (ipv4_hdr));

    /* Get 5 tuple: dst port, src port, dst IP address, src IP address and protocol */
    key.xmm = _mm_and_si128(data, mask0);

    /* Find destination port */

    ret = rte_hash_lookup(ipv4_l3fwd_lookup_struct, (const void *)&key);

    return (uint8_t)((ret < 0)? portid : ipv4_l3fwd_out_if[ret]);
}
```

The `get_ipv6_dst_port()` function is similar to the `get_ipv4_dst_port()` function.

The `simple_ipv4_fwd_4pkts()` and `simple_ipv6_fwd_4pkts()` function are optimized for continuous 4 valid ipv4 and ipv6 packets, they leverage the multiple buffer optimization to boost the performance of forwarding packets with the exact match on hash table. The key code snippet of `simple_ipv4_fwd_4pkts()` is shown below:

```
static inline void
simple_ipv4_fwd_4pkts(struct rte_mbuf* m[4], uint16_t portid, struct lcore_conf *qconf)
{
    // ...

    data[0] = _mm_loadu_si128(( m128i*) (rte_pktmbuf_mtod(m[0], unsigned char *) + sizeof(struct
    data[1] = _mm_loadu_si128(( m128i*) (rte_pktmbuf_mtod(m[1], unsigned char *) + sizeof(struct
    data[2] = _mm_loadu_si128(( m128i*) (rte_pktmbuf_mtod(m[2], unsigned char *) + sizeof(struct
    data[3] = _mm_loadu_si128(( m128i*) (rte_pktmbuf_mtod(m[3], unsigned char *) + sizeof(struct

    key[0].xmm = _mm_and_si128(data[0], mask0);
    key[1].xmm = _mm_and_si128(data[1], mask0);
    key[2].xmm = _mm_and_si128(data[2], mask0);
    key[3].xmm = _mm_and_si128(data[3], mask0);

    const void *key_array[4] = {&key[0], &key[1], &key[2], &key[3]};

    rte_hash_lookup_bulk(qconf->ipv4_lookup_struct, &key_array[0], 4, ret);

    dst_port[0] = (ret[0] < 0)? portid:ipv4_l3fwd_out_if[ret[0]];
    dst_port[1] = (ret[1] < 0)? portid:ipv4_l3fwd_out_if[ret[1]];
    dst_port[2] = (ret[2] < 0)? portid:ipv4_l3fwd_out_if[ret[2]];
    dst_port[3] = (ret[3] < 0)? portid:ipv4_l3fwd_out_if[ret[3]];

    // ...
}
```

The `simple_ipv6_fwd_4pkts()` function is similar to the `simple_ipv4_fwd_4pkts()` function.

Known issue: IP packets with extensions or IP packets which are not TCP/UDP cannot work well at this mode.

20.4.4 Packet Forwarding for LPM-based Lookups

For each input packet, the packet forwarding operation is done by the `l3fwd_simple_forward()` function, but the packet forwarding decision (that is, the identification of the output interface for the packet) for LPM-based lookups is done by the `get_ipv4_dst_port()` function below:

```
static inline uint16_t
get_ipv4_dst_port(struct ipv4_hdr *ipv4_hdr, uint16_t portid, lookup_struct_t *ipv4_l3fwd_looku
{
    uint8_t next_hop;

    return ((rte_lpm_lookup(ipv4_l3fwd_lookup_struct, rte_be_to_cpu_32(ipv4_hdr->dst_addr), &ne
})
```

L3 FORWARDING WITH POWER MANAGEMENT SAMPLE APPLICATION

21.1 Introduction

The L3 Forwarding with Power Management application is an example of power-aware packet processing using the DPDK. The application is based on existing L3 Forwarding sample application, with the power management algorithms to control the P-states and C-states of the Intel processor via a power management library.

21.2 Overview

The application demonstrates the use of the Power libraries in the DPDK to implement packet forwarding. The initialization and run-time paths are very similar to those of the [L3 Forwarding Sample Application](#). The main difference from the L3 Forwarding sample application is that this application introduces power-aware optimization algorithms by leveraging the Power library to control P-state and C-state of processor based on packet load.

The DPDK includes poll-mode drivers to configure Intel NIC devices and their receive (Rx) and transmit (Tx) queues. The design principle of this PMD is to access the Rx and Tx descriptors directly without any interrupts to quickly receive, process and deliver packets in the user space.

In general, the DPDK executes an endless packet processing loop on dedicated IA cores that include the following steps:

- Retrieve input packets through the PMD to poll Rx queue
- Process each received packet or provide received packets to other processing cores through software queues
- Send pending output packets to Tx queue through the PMD

In this way, the PMD achieves better performance than a traditional interrupt-mode driver, at the cost of keeping cores active and running at the highest frequency, hence consuming the maximum power all the time. However, during the period of processing light network traffic, which happens regularly in communication infrastructure systems due to well-known “tidal effect”, the PMD is still busy waiting for network packets, which wastes a lot of power.

Processor performance states (P-states) are the capability of an Intel processor to switch between different supported operating frequencies and voltages. If configured correctly, according to system workload, this feature provides power savings. CPUFreq is the infrastructure provided by the Linux* kernel to control the processor performance state capability. CPUFreq supports a user space governor that enables setting frequency via manipulating the virtual file

device from a user space application. The Power library in the DPDK provides a set of APIs for manipulating a virtual file device to allow user space application to set the CPUFreq governor and set the frequency of specific cores.

This application includes a P-state power management algorithm to generate a frequency hint to be sent to CPUFreq. The algorithm uses the number of received and available Rx packets on recent polls to make a heuristic decision to scale frequency up/down. Specifically, some thresholds are checked to see whether a specific core running an DPDK polling thread needs to increase frequency a step up based on the near to full trend of polled Rx queues. Also, it decreases frequency a step if packet processed per loop is far less than the expected threshold or the thread's sleeping time exceeds a threshold.

C-States are also known as sleep states. They allow software to put an Intel core into a low power idle state from which it is possible to exit via an event, such as an interrupt. However, there is a tradeoff between the power consumed in the idle state and the time required to wake up from the idle state (exit latency). Therefore, as you go into deeper C-states, the power consumed is lower but the exit latency is increased. Each C-state has a target residency. It is essential that when entering into a C-state, the core remains in this C-state for at least as long as the target residency in order to fully realize the benefits of entering the C-state. CPUIdle is the infrastructure provide by the Linux kernel to control the processor C-state capability. Unlike CPUFreq, CPUIdle does not provide a mechanism that allows the application to change C-state. It actually has its own heuristic algorithms in kernel space to select target C-state to enter by executing privileged instructions like HLT and MWAIT, based on the speculative sleep duration of the core. In this application, we introduce a heuristic algorithm that allows packet processing cores to sleep for a short period if there is no Rx packet received on recent polls. In this way, CPUIdle automatically forces the corresponding cores to enter deeper C-states instead of always running to the C0 state waiting for packets.

Note: To fully demonstrate the power saving capability of using C-states, it is recommended to enable deeper C3 and C6 states in the BIOS during system boot up.

21.3 Compiling the Application

To compile the sample application see [Compiling the Sample Applications](#).

The application is located in the `l3fwd-power` sub-directory.

21.4 Running the Application

The application has a number of command line options:

```
./build/l3fwd_power [EAL options] -- -p PORTMASK [-P] --config(port,queue,lcore) [, (port,queue,
```

where,

- -p PORTMASK: Hexadecimal bitmask of ports to configure
- -P: Sets all ports to promiscuous mode so that packets are accepted regardless of the packet's Ethernet MAC destination address. Without this option, only packets with the Ethernet MAC destination address set to the Ethernet address of the port are accepted.

- `--config (port,queue,lcore)[,(port,queue,lcore)]`: determines which queues from which ports are mapped to which cores.
- `--enable-jumbo`: optional, enables jumbo frames
- `--max-pkt-len`: optional, maximum packet length in decimal (64-9600)
- `--no-numa`: optional, disables numa awareness
- `--empty-poll`: Traffic Aware power management. See below for details

See [L3 Forwarding Sample Application](#) for details. The `L3fwd-power` example reuses the `L3fwd` command line options.

21.5 Explanation

The following sections provide some explanation of the sample application code. As mentioned in the overview section, the initialization and run-time paths are identical to those of the L3 forwarding application. The following sections describe aspects that are specific to the L3 Forwarding with Power Management sample application.

21.5.1 Power Library Initialization

The Power library is initialized in the main routine. It changes the P-state governor to userspace for specific cores that are under control. The Timer library is also initialized and several timers are created later on, responsible for checking if it needs to scale down frequency at run time by checking CPU utilization statistics.

Note: Only the power management related initialization is shown.

```
int main(int argc, char **argv)
{
    struct lcore_conf *qconf;
    int ret;
    unsigned nb_ports;
    uint16_t queueid, portid;
    unsigned lcore_id;
    uint64_t hz;
    uint32_t n_tx_queue, nb_lcores;
    uint8_t nb_rx_queue, queue, socketid;

    // ...

    /* init RTE timer library to be used to initialize per-core timers */
    rte_timer_subsystem_init();

    // ...

    /* per-core initialization */
    for (lcore_id = 0; lcore_id < RTE_MAX_LCORE; lcore_id++) {
        if (rte_lcore_is_enabled(lcore_id) == 0)
            continue;

        /* init power management library for a specified core */
```

```

ret = rte_power_init(lcore_id);
if (ret)
    rte_exit(EXIT_FAILURE, "Power management library "
             "initialization failed on core%d\n", lcore_id);

/* init timer structures for each enabled lcore */

rte_timer_init(&power_timers[lcore_id]);

hz = rte_get_hpet_hz();

rte_timer_reset(&power_timers[lcore_id], hz/TIMER_NUMBER_PER_SECOND, SINGLE, lcore_id,
               // ...
            }
        // ...
    }
}

```

21.5.2 Monitoring Loads of Rx Queues

In general, the polling nature of the DPDK prevents the OS power management subsystem from knowing if the network load is actually heavy or light. In this sample, sampling network load work is done by monitoring received and available descriptors on NIC Rx queues in recent polls. Based on the number of returned and available Rx descriptors, this example implements algorithms to generate frequency scaling hints and speculative sleep duration, and use them to control P-state and C-state of processors via the power management library. Frequency (P-state) control and sleep state (C-state) control work individually for each logical core, and the combination of them contributes to a power efficient packet processing solution when serving light network loads.

The `rte_eth_rx_burst()` function and the newly-added `rte_eth_rx_queue_count()` function are used in the endless packet processing loop to return the number of received and available Rx descriptors. And those numbers of specific queue are passed to P-state and C-state heuristic algorithms to generate hints based on recent network load trends.

Note: Only power control related code is shown.

```

static
attribute ((noreturn)) int main_loop( attribute ((unused)) void *dummy)
{
    // ...

    while (1) {
        // ...

        /**
         * Read packet from RX queues
         */

        lcore_scaleup_hint = FREQ_CURRENT;
        lcore_rx_idle_count = 0;

        for (i = 0; i < qconf->n_rx_queue; ++i)
        {
            rx_queue = &(qconf->rx_queue_list[i]);
            rx_queue->idle_hint = 0;

```



```

portid = rx_queue->port_id;
queueid = rx_queue->queue_id;

nb_rx = rte_eth_rx_burst(portid, queueid, pkts_burst, MAX_PKT_BURST);
stats[lcore_id].nb_rx_processed += nb_rx;

if (unlikely(nb_rx == 0)) {
    /**
     * no packet received from rx queue, try to
     * sleep for a while forcing CPU enter deeper
     * C states.
     */

    rx_queue->zero_rx_packet_count++;

    if (rx_queue->zero_rx_packet_count <= MIN_ZERO_POLL_COUNT)
        continue;

    rx_queue->idle_hint = power_idle_heuristic(rx_queue->zero_rx_packet_count);
    lcore_rx_idle_count++;
} else {
    rx_ring_length = rte_eth_rx_queue_count(portid, queueid);

    rx_queue->zero_rx_packet_count = 0;

    /**
     * do not scale up frequency immediately as
     * user to kernel space communication is costly
     * which might impact packet I/O for received
     * packets.
     */

    rx_queue->freq_up_hint = power_freq_scaleup_heuristic(lcore_id, rx_ring_length);
}

/* Prefetch and forward packets */

// ...
}

if (likely(lcore_rx_idle_count != qconf->n_rx_queue)) {
    for (i = 1, lcore_scaleup_hint = qconf->rx_queue_list[0].freq_up_hint; i < qconf->n_rx_
        x_queue = &(qconf->rx_queue_list[i]);

        if (rx_queue->freq_up_hint > lcore_scaleup_hint)

            lcore_scaleup_hint = rx_queue->freq_up_hint;
    }

    if (lcore_scaleup_hint == FREQ_HIGHEST)

        rte_power_freq_max(lcore_id);

    else if (lcore_scaleup_hint == FREQ_HIGHER)
        rte_power_freq_up(lcore_id);
} else {
    /**
     * All Rx queues empty in recent consecutive polls,
     * sleep in a conservative manner, meaning sleep as
     * less as possible.
     */

    for (i = 1, lcore_idle_hint = qconf->rx_queue_list[0].idle_hint; i < qconf->n_rx_qu

```

```

        rx_queue = &(qconf->rx_queue_list[i]);
        if (rx_queue->idle_hint < lcore_idle_hint)
            lcore_idle_hint = rx_queue->idle_hint;
    }

    if ( lcore_idle_hint < SLEEP_GEAR1_THRESHOLD)
        /**
         * execute "pause" instruction to avoid context
         * switch for short sleep.
         */
        rte_delay_us(lcore_idle_hint);
    else
        /* long sleep force ruining thread to suspend */
        usleep(lcore_idle_hint);

    stats[lcore_id].sleep_time += lcore_idle_hint;
}
}
}

```

21.5.3 P-State Heuristic Algorithm

The `power_freq_scaleup_heuristic()` function is responsible for generating a frequency hint for the specified logical core according to available descriptor number returned from `rte_eth_rx_queue_count()`. On every poll for new packets, the length of available descriptor on an Rx queue is evaluated, and the algorithm used for frequency hinting is as follows:

- If the size of available descriptors exceeds 96, the maximum frequency is hinted.
- If the size of available descriptors exceeds 64, a trend counter is incremented by 100.
- If the length of the ring exceeds 32, the trend counter is incremented by 1.
- When the trend counter reached 10000 the frequency hint is changed to the next higher frequency.

Note: The assumption is that the Rx queue size is 128 and the thresholds specified above must be adjusted accordingly based on actual hardware Rx queue size, which are configured via the `rte_eth_rx_queue_setup()` function.

In general, a thread needs to poll packets from multiple Rx queues. Most likely, different queue have different load, so they would return different frequency hints. The algorithm evaluates all the hints and then scales up frequency in an aggressive manner by scaling up to highest frequency as long as one Rx queue requires. In this way, we can minimize any negative performance impact.

On the other hand, frequency scaling down is controlled in the timer callback function. Specifically, if the sleep times of a logical core indicate that it is sleeping more than 25% of the sampling period, or if the average packet per iteration is less than expectation, the frequency is decreased by one step.

21.5.4 C-State Heuristic Algorithm

Whenever recent `rte_eth_rx_burst()` polls return 5 consecutive zero packets, an idle counter begins incrementing for each successive zero poll. At the same time, the function

`power_idle_heuristic()` is called to generate speculative sleep duration in order to force logical to enter deeper sleeping C-state. There is no way to control C-state directly, and the CPUIdle subsystem in OS is intelligent enough to select C-state to enter based on actual sleep period time of giving logical core. The algorithm has the following sleeping behavior depending on the idle counter:

- If idle count less than 100, the counter value is used as a microsecond sleep value through `rte_delay_us()` which execute pause instructions to avoid costly context switch but saving power at the same time.
- If idle count is between 100 and 999, a fixed sleep interval of 100 μ s is used. A 100 μ s sleep interval allows the core to enter the C1 state while keeping a fast response time in case new traffic arrives.
- If idle count is greater than 1000, a fixed sleep value of 1 ms is used until the next timer expiration is used. This allows the core to enter the C3/C6 states.

Note: The thresholds specified above need to be adjusted for different Intel processors and traffic profiles.

If a thread polls multiple Rx queues and different queue returns different sleep duration values, the algorithm controls the sleep time in a conservative manner by sleeping for the least possible time in order to avoid a potential performance impact.

21.6 Empty Poll Mode

Additionally, there is a traffic aware mode of operation called “Empty Poll” where the number of empty polls can be monitored to keep track of how busy the application is. Empty poll mode can be enabled by the command line option `–empty-poll`.

See `Power Management` chapter in the DPDK Programmer’s Guide for empty poll mode details.

```
./l3fwd-power -l xxx -n 4 -w 0000:xx:00.0 -w 0000:xx:00.1 -- -p 0x3 -P --config="(0,0,xx), (
```

Where,

`–empty-poll`: Enable the empty poll mode instead of original algorithm

`–empty-poll="training_flag, med_threshold, high_threshold"`

- `training_flag` : optional, enable/disable training mode. Default value is 0. If the `training_flag` is set as 1(true), then the application will start in training mode and print out the trained threshold values. If the `training_flag` is set as 0(false), the application will start in normal mode, and will use either the default thresholds or those supplied on the command line. The trained threshold values are specific to the user’s system, may give a better power profile when compared to the default threshold values.
- `med_threshold` : optional, sets the empty poll threshold of a modestly busy system state. If this is not supplied, the application will apply the default value of 350000.
- `high_threshold` : optional, sets the empty poll threshold of a busy system state. If this is not supplied, the application will apply the default value of 580000.
- `-l` : optional, set up the LOW power state frequency index
- `-m` : optional, set up the MED power state frequency index

- -h : optional, set up the HIGH power state frequency index

21.6.1 Empty Poll Mode Example Usage

To initially obtain the ideal thresholds for the system, the training mode should be run first. This is achieved by running the l3fwd-power app with the training flag set to “1”, and the other parameters set to 0.

```
./examples/l3fwd-power/build/l3fwd-power -l 1-3 -- -p 0x0f --config="(0,0,2),(0,1,3)" --empty-p
```

This will run the training algorithm for x seconds on each core (cores 2 and 3), and then print out the recommended threshold values for those cores. The thresholds should be very similar for each core.

```
POWER: Bring up the Timer
POWER: set the power freq to MED
POWER: Low threshold is 230277
POWER: MED threshold is 335071
POWER: HIGH threshold is 523769
POWER: Training is Complete for 2
POWER: set the power freq to MED
POWER: Low threshold is 236814
POWER: MED threshold is 344567
POWER: HIGH threshold is 538580
POWER: Training is Complete for 3
```

Once the values have been measured for a particular system, the app can then be started without the training mode so traffic can start immediately.

```
./examples/l3fwd-power/build/l3fwd-power -l 1-3 -- -p 0x0f --config="(0,0,2),(0,1,3)" --empty-p
```

L3 FORWARDING WITH ACCESS CONTROL SAMPLE APPLICATION

The L3 Forwarding with Access Control application is a simple example of packet processing using the DPDK. The application performs a security check on received packets. Packets that are in the Access Control List (ACL), which is loaded during initialization, are dropped. Others are forwarded to the correct port.

22.1 Overview

The application demonstrates the use of the ACL library in the DPDK to implement access control and packet L3 forwarding. The application loads two types of rules at initialization:

- Route information rules, which are used for L3 forwarding
- Access Control List (ACL) rules that blacklist (or block) packets with a specific characteristic

When packets are received from a port, the application extracts the necessary information from the TCP/IP header of the received packet and performs a lookup in the rule database to figure out whether the packets should be dropped (in the ACL range) or forwarded to desired ports. The initialization and run-time paths are similar to those of the [L3 Forwarding Sample Application](#). However, there are significant differences in the two applications. For example, the original L3 forwarding application uses either LPM or an exact match algorithm to perform forwarding port lookup, while this application uses the ACL library to perform both ACL and route entry lookup. The following sections provide more detail.

Classification for both IPv4 and IPv6 packets is supported in this application. The application also assumes that all the packets it processes are TCP/UDP packets and always extracts source/destination port information from the packets.

22.1.1 Tuple Packet Syntax

The application implements packet classification for the IPv4/IPv6 5-tuple syntax specifically. The 5-tuple syntax consist of a source IP address, a destination IP address, a source port, a destination port and a protocol identifier. The fields in the 5-tuple syntax have the following formats:

- **Source IP address and destination IP address** : Each is either a 32-bit field (for IPv4), or a set of 4 32-bit fields (for IPv6) represented by a value and a mask length. For example, an IPv4 range of 192.168.1.0 to 192.168.1.255 could be represented by a value = [192, 168, 1, 0] and a mask length = 24.

- **Source port and destination port** : Each is a 16-bit field, represented by a lower start and a higher end. For example, a range of ports 0 to 8192 could be represented by lower = 0 and higher = 8192.
- **Protocol identifier** : An 8-bit field, represented by a value and a mask, that covers a range of values. To verify that a value is in the range, use the following expression: “(VAL & mask) == value”

The trick in how to represent a range with a mask and value is as follows. A range can be enumerated in binary numbers with some bits that are never changed and some bits that are dynamically changed. Set those bits that dynamically changed in mask and value with 0. Set those bits that never changed in the mask with 1, in value with number expected. For example, a range of 6 to 7 is enumerated as 0b110 and 0b111. Bit 1-7 are bits never changed and bit 0 is the bit dynamically changed. Therefore, set bit 0 in mask and value with 0, set bits 1-7 in mask with 1, and bits 1-7 in value with number 0b11. So, mask is 0xfe, value is 0x6.

Note: The library assumes that each field in the rule is in LSB or Little Endian order when creating the database. It internally converts them to MSB or Big Endian order. When performing a lookup, the library assumes the input is in MSB or Big Endian order.

22.1.2 Access Rule Syntax

In this sample application, each rule is a combination of the following:

- 5-tuple field: This field has a format described in Section.
- priority field: A weight to measure the priority of the rules. The rule with the higher priority will ALWAYS be returned if the specific input has multiple matches in the rule database. Rules with lower priority will NEVER be returned in any cases.
- userdata field: A user-defined field that could be any value. It can be the forwarding port number if the rule is a route table entry or it can be a pointer to a mapping address if the rule is used for address mapping in the NAT application. The key point is that it is a useful reserved field for user convenience.

22.1.3 ACL and Route Rules

The application needs to acquire ACL and route rules before it runs. Route rules are mandatory, while ACL rules are optional. To simplify the complexity of the priority field for each rule, all ACL and route entries are assumed to be in the same file. To read data from the specified file successfully, the application assumes the following:

- Each rule occupies a single line.
- Only the following four rule line types are valid in this application:
 - ACL rule line, which starts with a leading character '@'
 - Route rule line, which starts with a leading character 'R'
 - Comment line, which starts with a leading character '#'
 - Empty line, which consists of a space, form-feed ('f'), newline ('n'), carriage return ('r'), horizontal tab ('t'), or vertical tab ('v').

Other lines types are considered invalid.

- Rules are organized in descending order of priority, which means rules at the head of the file always have a higher priority than those further down in the file.
- A typical IPv4 ACL rule line should have a format as shown below:

| Source Address | Destination Address | Source Port | Dest Port | Protocol |
|------------------|---------------------|-------------|-----------|----------|
| | | | | |
| @192.168.0.34/32 | 192.168.0.36/32 | 0 : 65535 | 20 : 20 | 6/0xfe |

Fig. 22.1: A typical IPv4 ACL rule

IPv4 addresses are specified in CIDR format as specified in RFC 4632. They consist of the dot notation for the address and a prefix length separated by '/'. For example, 192.168.0.34/32, where the address is 192.168.0.34 and the prefix length is 32.

Ports are specified as a range of 16-bit numbers in the format MIN:MAX, where MIN and MAX are the inclusive minimum and maximum values of the range. The range 0:65535 represents all possible ports in a range. When MIN and MAX are the same value, a single port is represented, for example, 20:20.

The protocol identifier is an 8-bit value and a mask separated by '/'. For example: 6/0xfe matches protocol values 6 and 7.

- Route rules start with a leading character 'R' and have the same format as ACL rules except an extra field at the tail that indicates the forwarding port number.

22.1.4 Rules File Example

| Source Address | Destination Address | Source Port | Dest Port | Protocol | Fwd |
|----------------|---------------------|-------------|-----------|----------|-----|
| | | | | | |
| @1.2.3.0/24 | 192.168.0.36/32 | 0 : 65535 | 0 : 65535 | 6/0xfe | |
| R0.0.0.0/0 | 192.168.0.36/32 | 0 : 65535 | 0 : 65535 | 6/0xfe | 1 |
| R0.0.0.0/0 | 0.0.0.0/0 | 0 : 65535 | 0 : 65535 | 0x0/0x0 | 0 |

Fig. 22.2: Rules example

Each rule is explained as follows:

- Rule 1 (the first line) tells the application to drop those packets with source IP address = [1.2.3.*], destination IP address = [192.168.0.36], protocol = [6]/[7]
- Rule 2 (the second line) is similar to Rule 1, except the source IP address is ignored. It tells the application to forward packets with destination IP address = [192.168.0.36], protocol = [6]/[7], destined to port 1.
- Rule 3 (the third line) tells the application to forward all packets to port 0. This is something like a default route entry.

As described earlier, the application assume rules are listed in descending order of priority, therefore Rule 1 has the highest priority, then Rule 2, and finally, Rule 3 has the lowest priority.

Consider the arrival of the following three packets:

- Packet 1 has source IP address = [1.2.3.4], destination IP address = [192.168.0.36], and protocol = [6]
- Packet 2 has source IP address = [1.2.4.4], destination IP address = [192.168.0.36], and protocol = [6]
- Packet 3 has source IP address = [1.2.3.4], destination IP address = [192.168.0.36], and protocol = [8]

Observe that:

- Packet 1 matches all of the rules
- Packet 2 matches Rule 2 and Rule 3
- Packet 3 only matches Rule 3

For priority reasons, Packet 1 matches Rule 1 and is dropped. Packet 2 matches Rule 2 and is forwarded to port 1. Packet 3 matches Rule 3 and is forwarded to port 0.

For more details on the rule file format, please refer to `rule_ipv4.db` and `rule_ipv6.db` files (inside `<RTE_SDK>/examples/l3fwd-acl/`).

22.1.5 Application Phases

Once the application starts, it transitions through three phases:

- **Initialization Phase** - Perform the following tasks:
 - Parse command parameters. Check the validity of rule file(s) name(s), number of logical cores, receive and transmit queues. Bind ports, queues and logical cores. Check ACL search options, and so on.
 - Call Environmental Abstraction Layer (EAL) and Poll Mode Driver (PMD) functions to initialize the environment and detect possible NICs. The EAL creates several threads and sets affinity to a specific hardware thread CPU based on the configuration specified by the command line arguments.
 - Read the rule files and format the rules into the representation that the ACL library can recognize. Call the ACL library function to add the rules into the database and compile them as a trie of pattern sets. Note that application maintains a separate AC contexts for IPv4 and IPv6 rules.
- **Runtime Phase** - Process the incoming packets from a port. Packets are processed in three steps:
 - Retrieval: Gets a packet from the receive queue. Each logical core may process several queues for different ports. This depends on the configuration specified by command line arguments.
 - Lookup: Checks that the packet type is supported (IPv4/IPv6) and performs a 5-tuple lookup over corresponding AC context. If an ACL rule is matched, the packets will be dropped and return back to step 1. If a route rule is matched, it indicates the packet is not in the ACL list and should be forwarded. If there is no matches for the packet, then the packet is dropped.
 - Forwarding: Forwards the packet to the corresponding port.

- **Final Phase** - Perform the following tasks:
Calls the EAL, PMD driver and ACL library to free resource, then quits.

22.2 Compiling the Application

To compile the sample application see [Compiling the Sample Applications](#).

The application is located in the `l3fwd-acl` sub-directory.

22.3 Running the Application

The application has a number of command line options:

```
./build/l3fwd-acl [EAL options] -- -p PORTMASK [-P] --config(port,queue,lcore)[,(port,queue,lcore)
```

where,

- `-p PORTMASK`: Hexadecimal bitmask of ports to configure
- `-P`: Sets all ports to promiscuous mode so that packets are accepted regardless of the packet's Ethernet MAC destination address. Without this option, only packets with the Ethernet MAC destination address set to the Ethernet address of the port are accepted.
- `--config (port,queue,lcore)[,(port,queue,lcore)]`: determines which queues from which ports are mapped to which cores
- `--rule_ipv4 FILENAME`: Specifies the IPv4 ACL and route rules file
- `--rule_ipv6 FILENAME`: Specifies the IPv6 ACL and route rules file
- `--scalar`: Use a scalar function to perform rule lookup
- `--enable-jumbo`: optional, enables jumbo frames
- `--max-pkt-len`: optional, maximum packet length in decimal (64-9600)
- `--no-numa`: optional, disables numa awareness

For example, consider a dual processor socket platform with 8 physical cores, where cores 0-7 and 16-23 appear on socket 0, while cores 8-15 and 24-31 appear on socket 1.

To enable L3 forwarding between two ports, assuming that both ports are in the same socket, using two cores, cores 1 and 2, (which are in the same socket too), use the following command:

```
./build/l3fwd-acl -l 1,2 -n 4 -- -p 0x3 --config="(0,0,1),(1,0,2)" --rule_ipv4="./rule_ipv4.db"
```

In this command:

- The `-l` option enables cores 1, 2
- The `-p` option enables ports 0 and 1
- The `--config` option enables one queue on each port and maps each (port,queue) pair to a specific core. The following table shows the mapping in this example:

| Port | Queue | lcore | Description |
|------|-------|-------|-------------------------------------|
| 0 | 0 | 1 | Map queue 0 from port 0 to lcore 1. |
| 1 | 0 | 2 | Map queue 0 from port 1 to lcore 2. |

- The `-rule_ipv4` option specifies the reading of IPv4 rules sets from the `./ rule_ipv4.db` file.
- The `-rule_ipv6` option specifies the reading of IPv6 rules sets from the `./ rule_ipv6.db` file.
- The `-scalar` option specifies the performing of rule lookup with a scalar function.

22.4 Explanation

The following sections provide some explanation of the sample application code. The aspects of port, device and CPU configuration are similar to those of the [L3 Forwarding Sample Application](#). The following sections describe aspects that are specific to L3 forwarding with access control.

22.4.1 Parse Rules from File

As described earlier, both ACL and route rules are assumed to be saved in the same file. The application parses the rules from the file and adds them to the database by calling the ACL library function. It ignores empty and comment lines, and parses and validates the rules it reads. If errors are detected, the application exits with messages to identify the errors encountered.

The application needs to consider the userdata and priority fields. The ACL rules save the index to the specific rules in the userdata field, while route rules save the forwarding port number. In order to differentiate the two types of rules, ACL rules add a signature in the userdata field. As for the priority field, the application assumes rules are organized in descending order of priority. Therefore, the code only decreases the priority number with each rule it parses.

22.4.2 Setting Up the ACL Context

For each supported AC rule format (IPv4 5-tuple, IPv6 6-tuple) application creates a separate context handler from the ACL library for each CPU socket on the board and adds parsed rules into that context.

Note, that for each supported rule type, application needs to calculate the expected offset of the fields from the start of the packet. That's why only packets with fixed IPv4/ IPv6 header are supported. That allows to perform ACL classify straight over incoming packet buffer - no extra protocol field retrieval need to be performed.

Subsequently, the application checks whether NUMA is enabled. If it is, the application records the socket IDs of the CPU cores involved in the task.

Finally, the application creates contexts handler from the ACL library, adds rules parsed from the file into the database and build an ACL trie. It is important to note that the application creates an independent copy of each database for each socket CPU involved in the task to reduce the time for remote memory access.

L3 FORWARDING IN A VIRTUALIZATION ENVIRONMENT SAMPLE APPLICATION

The L3 Forwarding in a Virtualization Environment sample application is a simple example of packet processing using the DPDK. The application performs L3 forwarding that takes advantage of Single Root I/O Virtualization (SR-IOV) features in a virtualized environment.

23.1 Overview

The application demonstrates the use of the hash and LPM libraries in the DPDK to implement packet forwarding. The initialization and run-time paths are very similar to those of the [L3 Forwarding Sample Application](#). The forwarding decision is taken based on information read from the input packet.

The lookup method is either hash-based or LPM-based and is selected at compile time. When the selected lookup method is hash-based, a hash object is used to emulate the flow classification stage. The hash object is used in correlation with the flow table to map each input packet to its flow at runtime.

The hash lookup key is represented by the DiffServ 5-tuple composed of the following fields read from the input packet: Source IP Address, Destination IP Address, Protocol, Source Port and Destination Port. The ID of the output interface for the input packet is read from the identified flow table entry. The set of flows used by the application is statically configured and loaded into the hash at initialization time. When the selected lookup method is LPM based, an LPM object is used to emulate the forwarding stage for IPv4 packets. The LPM object is used as the routing table to identify the next hop for each input packet at runtime.

The LPM lookup key is represented by the Destination IP Address field read from the input packet. The ID of the output interface for the input packet is the next hop returned by the LPM lookup. The set of LPM rules used by the application is statically configured and loaded into the LPM object at the initialization time.

Note: Please refer to [Virtual Function Setup Instructions](#) for virtualized test case setup.

23.2 Compiling the Application

To compile the sample application see [Compiling the Sample Applications](#).

The application is located in the `l3fwd-vf` sub-directory.

23.3 Running the Application

The application has a number of command line options:

```
./build/l3fwd-vf [EAL options] -- -p PORTMASK --config(port,queue,lcore) [(port,queue,lcore)]
```

where,

- `-p PORTMASK`: Hexadecimal bitmask of ports to configure
- `--config (port,queue,lcore)[,(port,queue,lcore)]`: determines which queues from which ports are mapped to which cores
- `--no-numa`: optional, disables numa awareness

For example, consider a dual processor socket platform with 8 physical cores, where cores 0-7 and 16-23 appear on socket 0, while cores 8-15 and 24-31 appear on socket 1.

To enable L3 forwarding between two ports, assuming that both ports are in the same socket, using two cores, cores 1 and 2, (which are in the same socket too), use the following command:

```
./build/l3fwd-vf -l 1,2 -n 4 -- -p 0x3 --config="(0,0,1),(1,0,2)"
```

In this command:

- The `-l` option enables cores 1 and 2
- The `-p` option enables ports 0 and 1
- The `--config` option enables one queue on each port and maps each (port,queue) pair to a specific core. The following table shows the mapping in this example:

| Port | Queue | lcore | Description |
|------|-------|-------|------------------------------------|
| 0 | 0 | 1 | Map queue 0 from port 0 to lcore 1 |
| 1 | 0 | 2 | Map queue 0 from port 1 to lcore 2 |

Refer to the *DPDK Getting Started Guide* for general information on running applications and the Environment Abstraction Layer (EAL) options.

23.4 Explanation

The operation of this application is similar to that of the basic L3 Forwarding Sample Application. See [Explanation](#) for more information.

LINK STATUS INTERRUPT SAMPLE APPLICATION

The Link Status Interrupt sample application is a simple example of packet processing using the Data Plane Development Kit (DPDK) that demonstrates how network link status changes for a network port can be captured and used by a DPDK application.

24.1 Overview

The Link Status Interrupt sample application registers a user space callback for the link status interrupt of each port and performs L2 forwarding for each packet that is received on an RX_PORT. The following operations are performed:

- RX_PORT and TX_PORT are paired with available ports one-by-one according to the core mask
- The source MAC address is replaced by the TX_PORT MAC address
- The destination MAC address is replaced by 02:00:00:00:00:TX_PORT_ID

This application can be used to demonstrate the usage of link status interrupt and its user space callbacks and the behavior of L2 forwarding each time the link status changes.

24.2 Compiling the Application

To compile the sample application see [Compiling the Sample Applications](#).

The application is located in the `link_status_interrupt` sub-directory.

24.3 Running the Application

The application requires a number of command line options:

```
./build/link_status_interrupt [EAL options] -- -p PORTMASK [-q NQ] [-T PERIOD]
```

where,

- -p PORTMASK: A hexadecimal bitmask of the ports to configure
- -q NQ: A number of queues (=ports) per lcore (default is 1)
- -T PERIOD: statistics will be refreshed each PERIOD seconds (0 to disable, 10 default)

To run the application in a linux environment with 4 lcores, 4 memory channels, 16 ports and 8 RX queues per lcore, issue the command:

```
$ ./build/link_status_interrupt -l 0-3 -n 4 -- -q 8 -p ffff
```

Refer to the *DPDK Getting Started Guide* for general information on running applications and the Environment Abstraction Layer (EAL) options.

24.4 Explanation

The following sections provide some explanation of the code.

24.4.1 Command Line Arguments

The Link Status Interrupt sample application takes specific parameters, in addition to Environment Abstraction Layer (EAL) arguments (see Section *Running the Application*).

Command line parsing is done in the same way as it is done in the L2 Forwarding Sample Application. See *Command Line Arguments* for more information.

24.4.2 Mbuf Pool Initialization

Mbuf pool initialization is done in the same way as it is done in the L2 Forwarding Sample Application. See *Mbuf Pool Initialization* for more information.

24.4.3 Driver Initialization

The main part of the code in the main() function relates to the initialization of the driver. To fully understand this code, it is recommended to study the chapters that related to the Poll Mode Driver in the *DPDK Programmer's Guide and the DPDK API Reference*.

```
if (rte_pci_probe() < 0)
    rte_exit(EXIT_FAILURE, "Cannot probe PCI\n");

/*
 * Each logical core is assigned a dedicated TX queue on each port.
 */

RTE_ETH_FOREACH_DEV(portid) {
    /* skip ports that are not enabled */

    if ((lsi_enabled_port_mask & (1 << portid)) == 0)
        continue;

    /* save the destination port id */

    if (nb_ports_in_mask % 2) {
        lsi_dst_ports[portid] = portid_last;
        lsi_dst_ports[portid_last] = portid;
    }
    else
        portid_last = portid;

    nb_ports_in_mask++;
}
```

```

    rte_eth_dev_info_get((uint8_t) portid, &dev_info);
}

```

Observe that:

- `rte_pci_probe()` parses the devices on the PCI bus and initializes recognized devices.

The next step is to configure the RX and TX queues. For each port, there is only one RX queue (only one lcore is able to poll a given port). The number of TX queues depends on the number of available lcores. The `rte_eth_dev_configure()` function is used to configure the number of queues for a port:

```

ret = rte_eth_dev_configure((uint8_t) portid, 1, 1, &port_conf);
if (ret < 0)
    rte_exit(EXIT_FAILURE, "Cannot configure device: err=%d, port=%u\n", ret, portid);

```

The global configuration is stored in a static structure:

```

static const struct rte_eth_conf port_conf = {
    .rxmode = {
        .split_hdr_size = 0,
    },
    .txmode = {},
    .intr_conf = {
        .lsc = 1, /**< link status interrupt feature enabled */
    },
};

```

Configuring `lsc` to 0 (the default) disables the generation of any link status change interrupts in kernel space and no user space interrupt event is received. The public interface `rte_eth_link_get()` accesses the NIC registers directly to update the link status. Configuring `lsc` to non-zero enables the generation of link status change interrupts in kernel space when a link status change is present and calls the user space callbacks registered by the application. The public interface `rte_eth_link_get()` just reads the link status in a global structure that would be updated in the interrupt host thread only.

24.4.4 Interrupt Callback Registration

The application can register one or more callbacks to a specific port and interrupt event. An example callback function that has been written as indicated below.

```

static void
lsi_event_callback(uint16_t port_id, enum rte_eth_event_type type, void *param)
{
    struct rte_eth_link link;

    RTE_SET_USED(param);

    printf("\n\nIn registered callback...\n");

    printf("Event type: %s\n", type == RTE_ETH_EVENT_INTR_LSC ? "LSC interrupt" : "unknown event");

    rte_eth_link_get_nowait(port_id, &link);

    if (link.link_status) {
        printf("Port %d Link Up - speed %u Mbps - %s\n\n", port_id, (unsigned)link.link_speed,
            (link.link_duplex == ETH_LINK_FULL_DUPLEX) ? ("full-duplex") : ("half-duplex"));
    } else
        printf("Port %d Link Down\n\n", port_id);
}

```

This function is called when a link status interrupt is present for the right port. The `port_id` indicates which port the interrupt applies to. The `type` parameter identifies the interrupt event type, which currently can be `RTE_ETH_EVENT_INTR_LSC` only, but other types can be added in the future. The `param` parameter is the address of the parameter for the callback. This function should be implemented with care since it will be called in the interrupt host thread, which is different from the main thread of its caller.

The application registers the `lsi_event_callback` and a `NULL` parameter to the link status interrupt event on each port:

```
rte_eth_dev_callback_register((uint8_t)portid, RTE_ETH_EVENT_INTR_LSC, lsi_event_callback, NULL);
```

This registration can be done only after calling the `rte_eth_dev_configure()` function and before calling any other function. If `lsc` is initialized with 0, the callback is never called since no interrupt event would ever be present.

24.4.5 RX Queue Initialization

The application uses one lcore to poll one or several ports, depending on the `-q` option, which specifies the number of queues per lcore.

For example, if the user specifies `-q 4`, the application is able to poll four ports with one lcore. If there are 16 ports on the target (and if the `portmask` argument is `-p ffff`), the application will need four lcores to poll all the ports.

```
ret = rte_eth_rx_queue_setup((uint8_t) portid, 0, nb_rxd, SOCKET0, &rx_conf, lsi_pktmbuf_pool);
if (ret < 0)
    rte_exit(EXIT_FAILURE, "rte_eth_rx_queue_setup: err=%d, port=%u\n", ret, portid);
```

The list of queues that must be polled for a given lcore is stored in a private structure called `struct lcore_queue_conf`.

```
struct lcore_queue_conf {
    unsigned n_rx_port;
    unsigned rx_port_list[MAX_RX_QUEUE_PER_LCORE]; unsigned tx_queue_id;
    struct mbuf_table tx_mbufs[LSI_MAX_PORTS];
} rte_cache_aligned;

struct lcore_queue_conf lcore_queue_conf[RTE_MAX_LCORE];
```

The `n_rx_port` and `rx_port_list[]` fields are used in the main packet processing loop (see [Receive, Process and Transmit Packets](#)).

The global configuration for the RX queues is stored in a static structure:

```
static const struct rte_eth_rxconf rx_conf = {
    .rx_thresh = {
        .pthresh = RX_PTHRESH,
        .hthresh = RX_HTHRESH,
        .wthresh = RX_WTHRESH,
    },
};
```

24.4.6 TX Queue Initialization

Each lcore should be able to transmit on any port. For every port, a single TX queue is initialized.


```

/* init one TX queue logical core on each port */

fflush(stdout);

ret = rte_eth_tx_queue_setup(portid, 0, nb_txd, rte_eth_dev_socket_id(portid), &tx_conf);
if (ret < 0)
    rte_exit(EXIT_FAILURE, "rte_eth_tx_queue_setup: err=%d,port=%u\n", ret, (unsigned) portid);

```

The global configuration for TX queues is stored in a static structure:

```

static const struct rte_eth_txconf tx_conf = {
    .tx_thresh = {
        .pthresh = TX_PTHRESH,
        .hthresh = TX_HTHRESH,
        .wthresh = TX_WTHRESH,
    },
    .tx_free_thresh = RTE_TEST_TX_DESC_DEFAULT + 1, /* disable feature */
};

```

24.4.7 Receive, Process and Transmit Packets

In the `lsi_main_loop()` function, the main task is to read ingress packets from the RX queues. This is done using the following code:

```

/*
 * Read packet from RX queues
 */

for (i = 0; i < qconf->n_rx_port; i++) {
    portid = qconf->rx_port_list[i];
    nb_rx = rte_eth_rx_burst((uint8_t) portid, 0, pkts_burst, MAX_PKT_BURST);
    port_statistics[portid].rx += nb_rx;

    for (j = 0; j < nb_rx; j++) {
        m = pkts_burst[j];
        rte_prefetch0(rte_pktmbuf_mtod(m, void *));
        lsi_simple_forward(m, portid);
    }
}

```

Packets are read in a burst of size `MAX_PKT_BURST`. The `rte_eth_rx_burst()` function writes the mbuf pointers in a local table and returns the number of available mbufs in the table.

Then, each mbuf in the table is processed by the `lsi_simple_forward()` function. The processing is very simple: processes the TX port from the RX port and then replaces the source and destination MAC addresses.

Note: In the following code, the two lines for calculating the output port require some explanation. If `portid` is even, the first line does nothing (as `portid & 1` will be 0), and the second line adds 1. If `portid` is odd, the first line subtracts one and the second line does nothing. Therefore, 0 goes to 1, and 1 to 0, 2 goes to 3 and 3 to 2, and so on.

```

static void
lsi_simple_forward(struct rte_mbuf *m, unsigned portid)
{
    struct ether_hdr *eth;
    void *tmp;
    unsigned dst_port = lsi_dst_ports[portid];

    eth = rte_pktmbuf_mtod(m, struct ether_hdr *);

```

```

    /* 02:00:00:00:00:xx */

    tmp = &eth->d_addr.addr_bytes[0];

    *((uint64_t *)tmp) = 0x000000000002 + (dst_port << 40);

    /* src addr */
    ether_addr_copy(&lsi_ports_eth_addr[dst_port], &eth->s_addr);

    lsi_send_packet(m, dst_port);
}

```

Then, the packet is sent using the `lsi_send_packet(m, dst_port)` function. For this test application, the processing is exactly the same for all packets arriving on the same RX port. Therefore, it would have been possible to call the `lsi_send_burst()` function directly from the main loop to send all the received packets on the same TX port using the burst-oriented send function, which is more efficient.

However, in real-life applications (such as, L3 routing), packet N is not necessarily forwarded on the same port as packet N-1. The application is implemented to illustrate that so the same approach can be reused in a more complex application.

The `lsi_send_packet()` function stores the packet in a per-lcore and per-txport table. If the table is full, the whole packets table is transmitted using the `lsi_send_burst()` function:

```

    /* Send the packet on an output interface */

    static int
    lsi_send_packet(struct rte_mbuf *m, uint16_t port)
    {
        unsigned lcore_id, len;
        struct lcore_queue_conf *qconf;

        lcore_id = rte_lcore_id();
        qconf = &lcore_queue_conf[lcore_id];
        len = qconf->tx_mbufs[port].len;
        qconf->tx_mbufs[port].m_table[len] = m;
        len++;

        /* enough pkts to be sent */

        if (unlikely(len == MAX_PKT_BURST)) {
            lsi_send_burst(qconf, MAX_PKT_BURST, port);
            len = 0;
        }
        qconf->tx_mbufs[port].len = len;

        return 0;
    }

```

To ensure that no packets remain in the tables, each lcore does a draining of the TX queue in its main loop. This technique introduces some latency when there are not many packets to send. However, it improves performance:

```

    cur_tsc = rte_rdtsc();

    /*
     *   TX burst queue drain
     */

    diff_tsc = cur_tsc - prev_tsc;

```

```
if (unlikely(diff_tsc > drain_tsc)) {
    /* this could be optimized (use queueid instead of * portid), but it is not called so often */

    for (portid = 0; portid < RTE_MAX_ETHPORTS; portid++) {
        if (qconf->tx_mbufs[portid].len == 0)
            continue;

        lsi_send_burst(&lcore_queue_conf[lcore_id],
            qconf->tx_mbufs[portid].len, (uint8_t) portid);
        qconf->tx_mbufs[portid].len = 0;
    }

    /* if timer is enabled */

    if (timer_period > 0) {
        /* advance the timer */

        timer_tsc += diff_tsc;

        /* if timer has reached its timeout */

        if (unlikely(timer_tsc >= (uint64_t) timer_period)) {
            /* do this only on master core */

            if (lcore_id == rte_get_master_lcore()) {
                print_stats();

                /* reset the timer */
                timer_tsc = 0;
            }
        }
    }
    prev_tsc = cur_tsc;
}
```

LOAD BALANCER SAMPLE APPLICATION

The Load Balancer sample application demonstrates the concept of isolating the packet I/O task from the application-specific workload. Depending on the performance target, a number of logical cores (lcores) are dedicated to handle the interaction with the NIC ports (I/O lcores), while the rest of the lcores are dedicated to performing the application processing (worker lcores). The worker lcores are totally oblivious to the intricacies of the packet I/O activity and use the NIC-agnostic interface provided by software rings to exchange packets with the I/O cores.

25.1 Overview

The architecture of the Load Balance application is presented in the following figure.

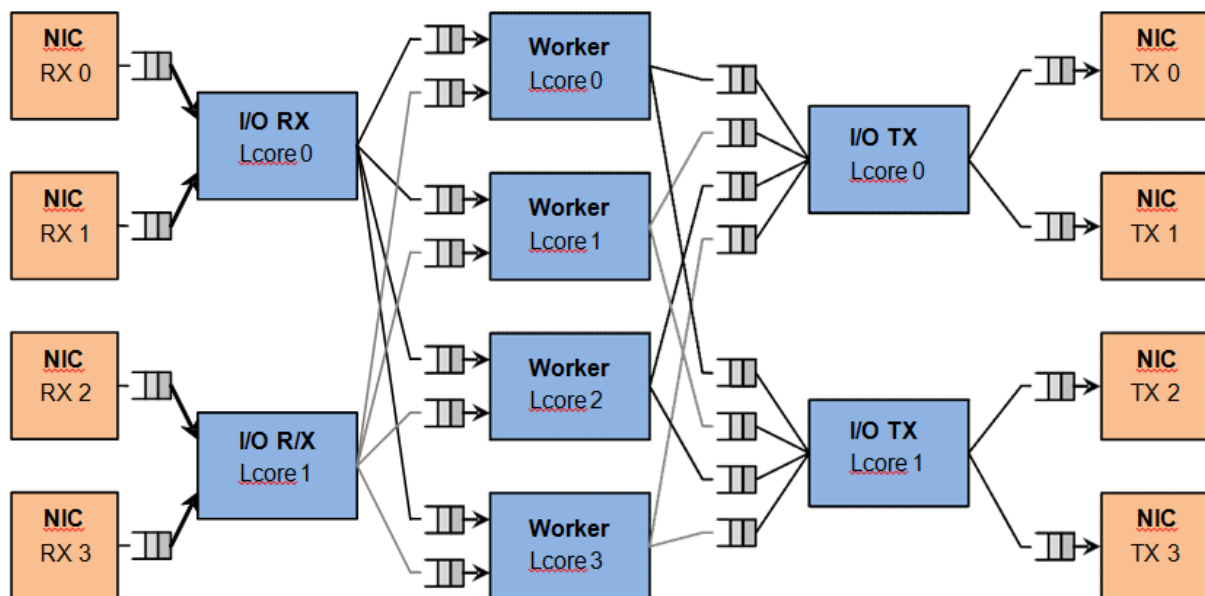


Fig. 25.1: Load Balancer Application Architecture

For the sake of simplicity, the diagram illustrates a specific case of two I/O RX and two I/O TX lcores off loading the packet I/O overhead incurred by four NIC ports from four worker cores, with each I/O lcore handling RX/TX for two NIC ports.

25.1.1 I/O RX Logical Cores

Each I/O RX lcore performs packet RX from its assigned NIC RX rings and then distributes the received packets to the worker threads. The application allows each I/O RX lcore to communicate with any of the worker threads, therefore each (I/O RX lcore, worker lcore) pair is connected through a dedicated single producer - single consumer software ring.

The worker lcore to handle the current packet is determined by reading a predefined 1-byte field from the input packet:

```
worker_id = packet[load_balancing_field] % n_workers
```

Since all the packets that are part of the same traffic flow are expected to have the same value for the load balancing field, this scheme also ensures that all the packets that are part of the same traffic flow are directed to the same worker lcore (flow affinity) in the same order they enter the system (packet ordering).

25.1.2 I/O TX Logical Cores

Each I/O lcore owns the packet TX for a predefined set of NIC ports. To enable each worker thread to send packets to any NIC TX port, the application creates a software ring for each (worker lcore, NIC TX port) pair, with each I/O TX core handling those software rings that are associated with NIC ports that it handles.

25.1.3 Worker Logical Cores

Each worker lcore reads packets from its set of input software rings and routes them to the NIC ports for transmission by dispatching them to output software rings. The routing logic is LPM based, with all the worker threads sharing the same LPM rules.

25.2 Compiling the Application

To compile the sample application see [Compiling the Sample Applications](#).

The application is located in the `load_balancer` sub-directory.

25.3 Running the Application

To successfully run the application, the command line used to start the application has to be in sync with the traffic flows configured on the traffic generator side.

For examples of application command lines and traffic generator flows, please refer to the DPDK Test Report. For more details on how to set up and run the sample applications provided with DPDK package, please refer to the *DPDK Getting Started Guide*.

25.4 Explanation

25.4.1 Application Configuration

The application run-time configuration is done through the application command line parameters. Any parameter that is not specified as mandatory is optional, with the default value hard-coded in the main.h header file from the application folder.

The list of application command line parameters is listed below:

1. `-rx` "(PORT, QUEUE, LCORE), ...": The list of NIC RX ports and queues handled by the I/O RX lcores. This parameter also implicitly defines the list of I/O RX lcores. This is a mandatory parameter.
2. `-tx` "(PORT, LCORE), ... ": The list of NIC TX ports handled by the I/O TX lcores. This parameter also implicitly defines the list of I/O TX lcores. This is a mandatory parameter.
3. `-w` "LCORE, ...": The list of the worker lcores. This is a mandatory parameter.
4. `-lpm` "IP / PREFIX => PORT; ...": The list of LPM rules used by the worker lcores for packet forwarding. This is a mandatory parameter.
5. `-rsz` "A, B, C, D": Ring sizes:
 - (a) A = The size (in number of buffer descriptors) of each of the NIC RX rings read by the I/O RX lcores.
 - (b) B = The size (in number of elements) of each of the software rings used by the I/O RX lcores to send packets to worker lcores.
 - (c) C = The size (in number of elements) of each of the software rings used by the worker lcores to send packets to I/O TX lcores.
 - (d) D = The size (in number of buffer descriptors) of each of the NIC TX rings written by I/O TX lcores.
6. `-bsz` "(A, B), (C, D), (E, F)": Burst sizes:
 - (a) A = The I/O RX lcore read burst size from NIC RX.
 - (b) B = The I/O RX lcore write burst size to the output software rings.
 - (c) C = The worker lcore read burst size from the input software rings.
 - (d) D = The worker lcore write burst size to the output software rings.
 - (e) E = The I/O TX lcore read burst size from the input software rings.
 - (f) F = The I/O TX lcore write burst size to the NIC TX.
7. `-pos-lb` POS: The position of the 1-byte field within the input packet used by the I/O RX lcores to identify the worker lcore for the current packet. This field needs to be within the first 64 bytes of the input packet.

The infrastructure of software rings connecting I/O lcores and worker lcores is built by the application as a result of the application configuration provided by the user through the application command line parameters.

A specific lcore performing the I/O RX role for a specific set of NIC ports can also perform the I/O TX role for the same or a different set of NIC ports. A specific lcore cannot perform both the I/O role (either RX or TX) and the worker role during the same session.

Example:

```
./load_balancer -l 3-7 -n 4 -- --rx "(0,0,3),(1,0,3)" --tx "(0,3),(1,3)" --w "4,5,6,7" --lpm "1
```

There is a single I/O lcore (lcore 3) that handles RX and TX for two NIC ports (ports 0 and 1) that handles packets to/from four worker lcores (lcores 4, 5, 6 and 7) that are assigned worker IDs 0 to 3 (worker ID for lcore 4 is 0, for lcore 5 is 1, for lcore 6 is 2 and for lcore 7 is 3).

Assuming that all the input packets are IPv4 packets with no VLAN label and the source IP address of the current packet is A.B.C.D, the worker lcore for the current packet is determined by byte D (which is byte 29). There are two LPM rules that are used by each worker lcore to route packets to the output NIC ports.

The following table illustrates the packet flow through the system for several possible traffic flows:

| Flow # | Source IP Address | Destination IP Address | Worker ID (Worker lcore) | Output NIC Port |
|--------|-------------------|------------------------|--------------------------|-----------------|
| 1 | 0.0.0.0 | 1.0.0.1 | 0 (4) | 0 |
| 2 | 0.0.0.1 | 1.0.1.2 | 1 (5) | 1 |
| 3 | 0.0.0.14 | 1.0.0.3 | 2 (6) | 0 |
| 4 | 0.0.0.15 | 1.0.1.4 | 3 (7) | 1 |

25.4.2 NUMA Support

The application has built-in performance enhancements for the NUMA case:

1. One buffer pool per each CPU socket.
2. One LPM table per each CPU socket.
3. Memory for the NIC RX or TX rings is allocated on the same socket with the lcore handling the respective ring.

In the case where multiple CPU sockets are used in the system, it is recommended to enable at least one lcore to fulfill the I/O role for the NIC ports that are directly attached to that CPU socket through the PCI Express* bus. It is always recommended to handle the packet I/O with lcores from the same CPU socket as the NICs.

Depending on whether the I/O RX lcore (same CPU socket as NIC RX), the worker lcore and the I/O TX lcore (same CPU socket as NIC TX) handling a specific input packet, are on the same or different CPU sockets, the following run-time scenarios are possible:

1. AAA: The packet is received, processed and transmitted without going across CPU sockets.
2. AAB: The packet is received and processed on socket A, but as it has to be transmitted on a NIC port connected to socket B, the packet is sent to socket B through software rings.
3. ABB: The packet is received on socket A, but as it has to be processed by a worker lcore on socket B, the packet is sent to socket B through software rings. The packet is transmitted by a NIC port connected to the same CPU socket as the worker lcore that processed it.
4. ABC: The packet is received on socket A, it is processed by an lcore on socket B, then it has to be transmitted out by a NIC connected to socket C. The performance price for crossing the CPU socket boundary is paid twice for this packet.

SERVER-NODE EFD SAMPLE APPLICATION

This sample application demonstrates the use of EFD library as a flow-level load balancer, for more information about the EFD Library please refer to the DPDK programmer's guide.

This sample application is a variant of the *client-server sample application* where a specific target node is specified for every and each flow (not in a round-robin fashion as the original load balancing sample application).

26.1 Overview

The architecture of the EFD flow-based load balancer sample application is presented in the following figure.

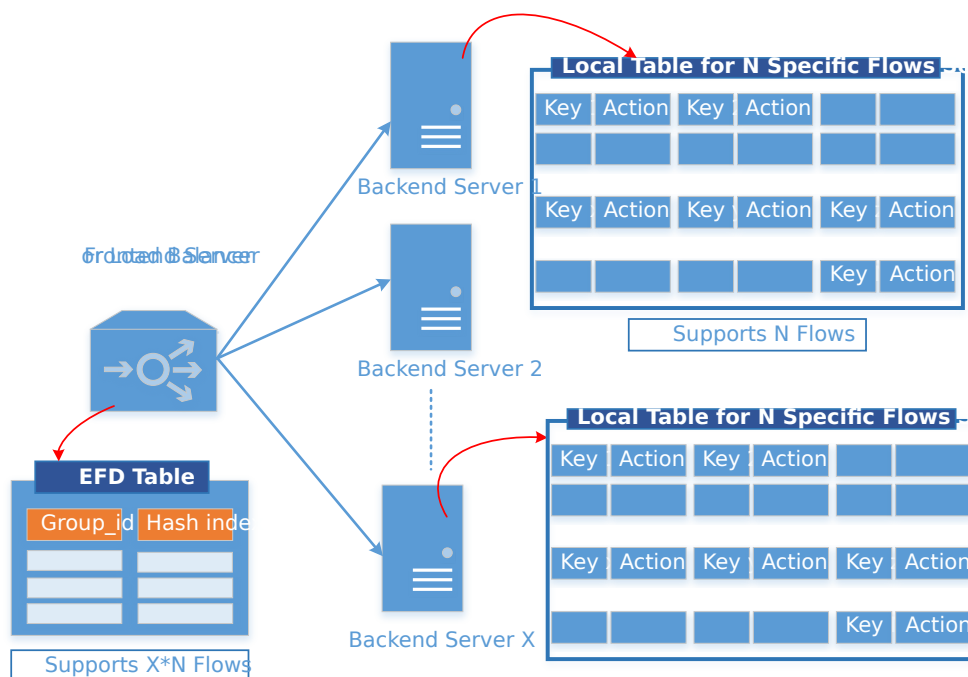


Fig. 26.1: Using EFD as a Flow-Level Load Balancer

As shown in Fig. 26.1, the sample application consists of a front-end node (server) using the EFD library to create a load-balancing table for flows, for each flow a target backend worker node is specified. The EFD table does not store the flow key (unlike a regular hash table), and hence, it can individually load-balance millions of flows (number of targets * maximum number of flows fit in a flow table per target) while still fitting in CPU cache.

It should be noted that although they are referred to as nodes, the frontend server and worker nodes are processes running on the same platform.

26.1.1 Front-end Server

Upon initializing, the frontend server node (process) creates a flow distributor table (based on the EFD library) which is populated with flow information and its intended target node.

The sample application assigns a specific target node_id (process) for each of the IP destination addresses as follows:

```
node_id = i % num_nodes; /* Target node id is generated */
ip_dst = rte_cpu_to_be_32(i); /* Specific ip destination address is
                               assigned to this target node */
```

then the pair of <key,target> is inserted into the flow distribution table.

The main loop of the server process receives a burst of packets, then for each packet, a flow key (IP destination address) is extracted. The flow distributor table is looked up and the target node id is returned. Packets are then enqueued to the specified target node id.

It should be noted that flow distributor table is not a membership test table. I.e. if the key has already been inserted the target node id will be correct, but for new keys the flow distributor table will return a value (which can be valid).

26.1.2 Backend Worker Nodes

Upon initializing, the worker node (process) creates a flow table (a regular hash table that stores the key default size 1M flows) which is populated with only the flow information that is serviced at this node. This flow key is essential to point out new keys that have not been inserted before.

The worker node's main loop is simply receiving packets then doing a hash table lookup. If a match occurs then statistics are updated for flows serviced by this node. If no match is found in the local hash table then this indicates that this is a new flow, which is dropped.

26.2 Compiling the Application

To compile the sample application see [Compiling the Sample Applications](#).

The application is located in the `server_node_efd` sub-directory.

26.3 Running the Application

The application has two binaries to be run: the front-end server and the back-end node.

The frontend server (server) has the following command line options:

```
./server [EAL options] -- -p PORTMASK -n NUM_NODES -f NUM_FLOWS
```

Where,

- `-p PORTMASK`: Hexadecimal bitmask of ports to configure

- `-n NUM_NODES`: Number of back-end nodes that will be used
- `-f NUM_FLOWS`: Number of flows to be added in the EFD table (1 million, by default)

The back-end node (node) has the following command line options:

```
./node [EAL options] -- -n NODE_ID
```

Where,

- `-n NODE_ID`: Node ID, which cannot be equal or higher than `NUM_NODES`

First, the server app must be launched, with the number of nodes that will be run. Once it has been started, the node instances can be run, with different `NODE_ID`. These instances have to be run as secondary processes, with `--proc-type=secondary` in the EAL options, which will attach to the primary process memory, and therefore, they can access the queues created by the primary process to distribute packets.

To successfully run the application, the command line used to start the application has to be in sync with the traffic flows configured on the traffic generator side.

For examples of application command lines and traffic generator flows, please refer to the DPDK Test Report. For more details on how to set up and run the sample applications provided with DPDK package, please refer to the DPDK Getting Started Guide for Linux and DPDK Getting Started Guide for FreeBSD.

26.4 Explanation

As described in previous sections, there are two processes in this example.

The first process, the front-end server, creates and populates the EFD table, which is used to distribute packets to nodes, which the number of flows specified in the command line (1 million, by default).

```
static void
create_efd_table(void)
{
    uint8_t socket_id = rte_socket_id();

    /* create table */
    efd_table = rte_efd_create("flow table", num_flows * 2, sizeof(uint32_t),
        1 << socket_id, socket_id);

    if (efd_table == NULL)
        rte_exit(EXIT_FAILURE, "Problem creating the flow table\n");
}

static void
populate_efd_table(void)
{
    unsigned int i;
    int32_t ret;
    uint32_t ip_dst;
    uint8_t socket_id = rte_socket_id();
    uint64_t node_id;

    /* Add flows in table */
    for (i = 0; i < num_flows; i++) {
        node_id = i % num_nodes;
```

```

ip_dst = rte_cpu_to_be_32(i);
ret = rte_efd_update(efd_table, socket_id,
                    (void *)&ip_dst, (efd_value_t)node_id);
if (ret < 0)
    rte_exit(EXIT_FAILURE, "Unable to add entry %u in "
            "EFD table\n", i);
}

printf("EFD table: Adding 0x%x keys\n", num_flows);
}

```

After initialization, packets are received from the enabled ports, and the IPv4 address from the packets is used as a key to look up in the EFD table, which tells the node where the packet has to be distributed.

```

static void
process_packets(uint32_t port_num __rte_unused, struct rte_mbuf *pkts[],
               uint16_t rx_count, unsigned int socket_id)
{
    uint16_t i;
    uint8_t node;
    efd_value_t data[EFD_BURST_MAX];
    const void *key_ptrs[EFD_BURST_MAX];

    struct ipv4_hdr *ipv4_hdr;
    uint32_t ipv4_dst_ip[EFD_BURST_MAX];

    for (i = 0; i < rx_count; i++) {
        /* Handle IPv4 header. */
        ipv4_hdr = rte_pktmbuf_mtod_offset(pkts[i], struct ipv4_hdr *,
            sizeof(struct ether_hdr));
        ipv4_dst_ip[i] = ipv4_hdr->dst_addr;
        key_ptrs[i] = (void *)&ipv4_dst_ip[i];
    }

    rte_efd_lookup_bulk(efd_table, socket_id, rx_count,
                       (const void **) key_ptrs, data);
    for (i = 0; i < rx_count; i++) {
        node = (uint8_t) ((uintptr_t) data[i]);

        if (node >= num_nodes) {
            /*
             * Node is out of range, which means that
             * flow has not been inserted
             */
            flow_dist_stats.drop++;
            rte_pktmbuf_free(pkts[i]);
        } else {
            flow_dist_stats.distributed++;
            enqueue_rx_packet(node, pkts[i]);
        }
    }

    for (i = 0; i < num_nodes; i++)
        flush_rx_queue(i);
}

```

The burst of packets received is enqueued in temporary buffers (per node), and enqueued in the shared ring between the server and the node. After this, a new burst of packets is received and this process is repeated infinitely.

```

static void
flush_rx_queue(uint16_t node)

```

```

{
    uint16_t j;
    struct node *cl;

    if (cl_rx_buf[node].count == 0)
        return;

    cl = &nodes[node];
    if (rte_ring_enqueue_bulk(cl->rx_q, (void **)cl_rx_buf[node].buffer,
        cl_rx_buf[node].count, NULL) != cl_rx_buf[node].count){
        for (j = 0; j < cl_rx_buf[node].count; j++)
            rte_pktmbuf_free(cl_rx_buf[node].buffer[j]);
        cl->stats.rx_drop += cl_rx_buf[node].count;
    } else
        cl->stats.rx += cl_rx_buf[node].count;

    cl_rx_buf[node].count = 0;
}

```

The second process, the back-end node, receives the packets from the shared ring with the server and send them out, if they belong to the node.

At initialization, it attaches to the server process memory, to have access to the shared ring, parameters and statistics.

```

rx_ring = rte_ring_lookup(get_rx_queue_name(node_id));
if (rx_ring == NULL)
    rte_exit(EXIT_FAILURE, "Cannot get RX ring - "
        "is server process running?\n");

mp = rte_mempool_lookup(PKTMBUF_POOL_NAME);
if (mp == NULL)
    rte_exit(EXIT_FAILURE, "Cannot get mempool for mbufs\n");

mz = rte_memzone_lookup(MZ_SHARED_INFO);
if (mz == NULL)
    rte_exit(EXIT_FAILURE, "Cannot get port info structure\n");
info = mz->addr;
tx_stats = &(info->tx_stats[node_id]);
filter_stats = &(info->filter_stats[node_id]);

```

Then, the hash table that contains the flows that will be handled by the node is created and populated.

```

static struct rte_hash *
create_hash_table(const struct shared_info *info)
{
    uint32_t num_flows_node = info->num_flows / info->num_nodes;
    char name[RTE_HASH_NAMESIZE];
    struct rte_hash *h;

    /* create table */
    struct rte_hash_parameters hash_params = {
        .entries = num_flows_node * 2, /* table load = 50% */
        .key_len = sizeof(uint32_t), /* Store IPv4 dest IP address */
        .socket_id = rte_socket_id(),
        .hash_func_init_val = 0,
    };

    snprintf(name, sizeof(name), "hash_table_%d", node_id);
    hash_params.name = name;
    h = rte_hash_create(&hash_params);

    if (h == NULL)

```

```

        rte_exit(EXIT_FAILURE,
                "Problem creating the hash table for node %d\n",
                node_id);
    return h;
}

static void
populate_hash_table(const struct rte_hash *h, const struct shared_info *info)
{
    unsigned int i;
    int32_t ret;
    uint32_t ip_dst;
    uint32_t num_flows_node = 0;
    uint64_t target_node;

    /* Add flows in table */
    for (i = 0; i < info->num_flows; i++) {
        target_node = i % info->num_nodes;
        if (target_node != node_id)
            continue;

        ip_dst = rte_cpu_to_be_32(i);

        ret = rte_hash_add_key(h, (void *) &ip_dst);
        if (ret < 0)
            rte_exit(EXIT_FAILURE, "Unable to add entry %u "
                    "in hash table\n", i);
        else
            num_flows_node++;
    }

    printf("Hash table: Adding 0x%x keys\n", num_flows_node);
}

```

After initialization, packets are dequeued from the shared ring (from the server) and, like in the server process, the IPv4 address from the packets is used as a key to look up in the hash table. If there is a hit, packet is stored in a buffer, to be eventually transmitted in one of the enabled ports. If key is not there, packet is dropped, since the flow is not handled by the node.

```

static inline void
handle_packets(struct rte_hash *h, struct rte_mbuf **bufs, uint16_t num_packets)
{
    struct ipv4_hdr *ipv4_hdr;
    uint32_t ipv4_dst_ip[PKT_READ_SIZE];
    const void *key_ptrs[PKT_READ_SIZE];
    unsigned int i;
    int32_t positions[PKT_READ_SIZE] = {0};

    for (i = 0; i < num_packets; i++) {
        /* Handle IPv4 header */
        ipv4_hdr = rte_pktmbuf_mtod_offset(bufs[i], struct ipv4_hdr *,
                sizeof(struct ether_hdr));
        ipv4_dst_ip[i] = ipv4_hdr->dst_addr;
        key_ptrs[i] = &ipv4_dst_ip[i];
    }
    /* Check if packets belongs to any flows handled by this node */
    rte_hash_lookup_bulk(h, key_ptrs, num_packets, positions);

    for (i = 0; i < num_packets; i++) {
        if (likely(positions[i] >= 0)) {
            filter_stats->passed++;
            transmit_packet(bufs[i]);
        }
    }
}

```

```

    } else {
        filter_stats->drop++;
        /* Drop packet, as flow is not handled by this node */
        rte_pktmbuf_free(bufs[i]);
    }
}
}

```

Finally, note that both processes updates statistics, such as transmitted, received and dropped packets, which are shown and refreshed by the server app.

```

static void
do_stats_display(void)
{
    unsigned int i, j;
    const char clr[] = {27, '[', '2', 'J', '\0'};
    const char topLeft[] = {27, '[', '1', ';', '1', 'H', '\0'};
    uint64_t port_tx[RTE_MAX_ETHPORTS], port_tx_drop[RTE_MAX_ETHPORTS];
    uint64_t node_tx[MAX_NODES], node_tx_drop[MAX_NODES];

    /* to get TX stats, we need to do some summing calculations */
    memset(port_tx, 0, sizeof(port_tx));
    memset(port_tx_drop, 0, sizeof(port_tx_drop));
    memset(node_tx, 0, sizeof(node_tx));
    memset(node_tx_drop, 0, sizeof(node_tx_drop));

    for (i = 0; i < num_nodes; i++) {
        const struct tx_stats *tx = &info->tx_stats[i];

        for (j = 0; j < info->num_ports; j++) {
            const uint64_t tx_val = tx->tx[info->id[j]];
            const uint64_t drop_val = tx->tx_drop[info->id[j]];

            port_tx[j] += tx_val;
            port_tx_drop[j] += drop_val;
            node_tx[i] += tx_val;
            node_tx_drop[i] += drop_val;
        }
    }

    /* Clear screen and move to top left */
    printf("%s%s", clr, topLeft);

    printf("PORTS\n");
    printf("-----\n");
    for (i = 0; i < info->num_ports; i++)
        printf("Port %u: '%s'\t", (unsigned int)info->id[i],
            get_printable_mac_addr(info->id[i]));
    printf("\n\n");
    for (i = 0; i < info->num_ports; i++) {
        printf("Port %u - rx: %9PRIu64\t"
            "tx: %9PRIu64\n",
            (unsigned int)info->id[i], info->rx_stats.rx[i],
            port_tx[i]);
    }

    printf("\nSERVER\n");
    printf("-----\n");
    printf("distributed: %9PRIu64", drop: %9PRIu64\n",
        flow_dist_stats.distributed, flow_dist_stats.drop);

    printf("\nNODES\n");
    printf("-----\n");

```

```
for (i = 0; i < num_nodes; i++) {
    const unsigned long long rx = nodes[i].stats.rx;
    const unsigned long long rx_drop = nodes[i].stats.rx_drop;
    const struct filter_stats *filter = &info->filter_stats[i];

    printf("Node %2u - rx: %9llu, rx_drop: %9llu\n"
           "          tx: %9"PRIu64", tx_drop: %9"PRIu64"\n"
           "          filter_passed: %9"PRIu64", "
           "filter_drop: %9"PRIu64"\n",
           i, rx, rx_drop, node_tx[i], node_tx_drop[i],
           filter->passed, filter->drop);
}

printf("\n");
}
```

SERVICE CORES SAMPLE APPLICATION

The service cores sample application demonstrates the service cores capabilities of DPDK. The service cores infrastructure is part of the DPDK EAL, and allows any DPDK component to register a service. A service is a work item or task, that requires CPU time to perform its duty.

This sample application registers 5 dummy services. These 5 services are used to show how the `service_cores` API can be used to orchestrate these services to run on different service lcores. This orchestration is done by calling the service cores APIs, however the sample application introduces a “profile” concept to contain the service mapping details. Note that the profile concept is application specific, and not a part of the service cores API.

27.1 Compiling the Application

1. Go to the example directory:

```
export RTE_SDK=/path/to/rte_sdk
cd ${RTE_SDK}/examples/service_cores
```

2. Set the target (a default target is used if not specified). For example:

```
export RTE_TARGET=x86_64-native-linux-gcc
```

See the *DPDK Getting Started* Guide for possible `RTE_TARGET` values.

3. Build the application:

```
make
```

27.2 Running the Application

To run the example, just execute the binary. Since the application dynamically adds service cores in the application code itself, there is no requirement to pass a service core-mask as an EAL argument at startup time.

```
$ ./build/service_cores
```

27.3 Explanation

The following sections provide some explanation of code focusing on registering applications from an applications point of view, and modifying the service core counts and mappings at runtime.

27.3.1 Registering a Service

The following code section shows how to register a service as an application. Note that the service component header must be included by the application in order to register services: `rte_service_component.h`, in addition to the ordinary service cores header `rte_service.h` which provides the runtime functions to add, remove and remap service cores.

```

struct rte_service_spec service = {
    .name = "service_name",
};
int ret = rte_service_component_register(services, &id);
if (ret)
    return -1;

/* set the service itself to be ready to run. In the case of
 * ethdev, eventdev etc PMDs, this will be set when the
 * appropriate configure or setup function is called.
 */
rte_service_component_runstate_set(id, 1);

/* Collect statistics for the service */
rte_service_set_stats_enable(id, 1);

/* The application sets the service to running state. Note that this
 * function enables the service to run - while the 'component' version
 * of this function (as above) marks the service itself as ready */
ret = rte_service_runstate_set(id, 1);

```

27.3.2 Controlling A Service Core

This section demonstrates how to add a service core. The `rte_service.h` header file provides the functions for dynamically adding and removing cores. The APIs to add and remove cores use lcore IDs similar to existing DPDK functions.

These are the functions to start a service core, and have it run a service:

```

/* the lcore ID to use as a service core */
uint32_t service_core_id = 7;
ret = rte_service_lcore_add(service_core_id);
if(ret)
    return -1;

/* service cores are in "stopped" state when added, so start it */
ret = rte_service_lcore_start(service_core_id);
if(ret)
    return -1;

/* map a service to the service core, causing it to run the service */
uint32_t service_id; /* ID of a registered service */
uint32_t enable = 1; /* 1 maps the service, 0 unmaps */
ret = rte_service_map_lcore_set(service_id, service_core_id, enable);
if(ret)
    return -1;

```

27.3.3 Removing A Service Core

To remove a service core, the steps are similar to adding but in reverse order. Note that it is not allowed to remove a service core if the service is running, and the service-core is the only core

running that service (see documentation for `rte_service_lcore_stop` function for details).

27.3.4 Conclusion

The service cores infrastructure provides DPDK with two main features. The first is to abstract away hardware differences: the service core can CPU cycles to a software fallback implementation, allowing the application to be abstracted from the difference in HW / SW availability. The second feature is a flexible method of registering functions to be run, allowing the running of the functions to be scaled across multiple CPUs.

MULTI-PROCESS SAMPLE APPLICATION

This chapter describes the example applications for multi-processing that are included in the DPDK.

28.1 Example Applications

28.1.1 Building the Sample Applications

The multi-process example applications are built in the same way as other sample applications, and as documented in the *DPDK Getting Started Guide*.

To compile the sample application see [Compiling the Sample Applications](#).

The applications are located in the `multi_process` sub-directory.

Note: If just a specific multi-process application needs to be built, the final make command can be run just in that application's directory, rather than at the top-level multi-process directory.

28.1.2 Basic Multi-process Example

The `examples/simple_mp` folder in the DPDK release contains a basic example application to demonstrate how two DPDK processes can work together using queues and memory pools to share information.

Running the Application

To run the application, start one copy of the `simple_mp` binary in one terminal, passing at least two cores in the `coremask/corelist`, as follows:

```
./build/simple_mp -l 0-1 -n 4 --proc-type=primary
```

For the first DPDK process run, the `proc-type` flag can be omitted or set to `auto`, since all DPDK processes will default to being a primary instance, meaning they have control over the hugepage shared memory regions. The process should start successfully and display a command prompt as follows:

```
$ ./build/simple_mp -l 0-1 -n 4 --proc-type=primary
EAL: coremask set to 3
EAL: Detected lcore 0 on socket 0
EAL: Detected lcore 1 on socket 0
EAL: Detected lcore 2 on socket 0
```

```

EAL: Detected lcore 3 on socket 0
...

EAL: Requesting 2 pages of size 1073741824
EAL: Requesting 768 pages of size 2097152
EAL: Ask a virtual area of 0x40000000 bytes
EAL: Virtual area found at 0x7ff200000000 (size = 0x40000000)
...

EAL: check igb_uio module
EAL: check module finished
EAL: Master core 0 is ready (tid=54e41820)
EAL: Core 1 is ready (tid=53b32700)

Starting core 1

simple_mp >

```

To run the secondary process to communicate with the primary process, again run the same binary setting at least two cores in the coremask/corelist:

```
./build/simple_mp -l 2-3 -n 4 --proc-type=secondary
```

When running a secondary process such as that shown above, the `proc-type` parameter can again be specified as `auto`. However, omitting the parameter altogether will cause the process to try and start as a primary rather than secondary process.

Once the process type is specified correctly, the process starts up, displaying largely similar status messages to the primary instance as it initializes. Once again, you will be presented with a command prompt.

Once both processes are running, messages can be sent between them using the `send` command. At any stage, either process can be terminated using the `quit` command.

```

EAL: Master core 10 is ready (tid=b5f89820)
EAL: Core 11 is ready (tid=84ffe700)
Starting core 11
simple_mp > send hello_secondary
simple_mp > core 11: Received 'hello_primary'
simple_mp > quit

EAL: Master core 8 is ready (tid=864a3820)
EAL: Core 9 is ready (tid=85995700)
Starting core 9
simple_mp > core 9: Received 'hello_sec
simple_mp > send hello_primary
simple_mp > quit

```

Note: If the primary instance is terminated, the secondary instance must also be shut-down and restarted after the primary. This is necessary because the primary instance will clear and reset the shared memory regions on startup, invalidating the secondary process's pointers. The secondary process can be stopped and restarted without affecting the primary process.

How the Application Works

The core of this example application is based on using two queues and a single memory pool in shared memory. These three objects are created at startup by the primary process, since the secondary process cannot create objects in memory as it cannot reserve memory zones, and the secondary process then uses lookup functions to attach to these objects as it starts up.

```

if (rte_eal_process_type() == RTE_PROC_PRIMARY){
    send_ring = rte_ring_create(_PRI_2_SEC, ring_size, SOCKET0, flags);
    recv_ring = rte_ring_create(_SEC_2_PRI, ring_size, SOCKET0, flags);
    message_pool = rte_mempool_create(_MSG_POOL, pool_size, string_size, pool_cache, priv_data
} else {

```

```

recv_ring = rte_ring_lookup(_PRI_2_SEC);
send_ring = rte_ring_lookup(_SEC_2_PRI);
message_pool = rte_mempool_lookup(_MSG_POOL);
}

```

Note, however, that the named ring structure used as `send_ring` in the primary process is the `recv_ring` in the secondary process.

Once the rings and memory pools are all available in both the primary and secondary processes, the application simply dedicates two threads to sending and receiving messages respectively. The receive thread simply dequeues any messages on the receive ring, prints them, and frees the buffer space used by the messages back to the memory pool. The send thread makes use of the command-prompt library to interactively request user input for messages to send. Once a send command is issued by the user, a buffer is allocated from the memory pool, filled in with the message contents, then enqueued on the appropriate `rte_ring`.

28.1.3 Symmetric Multi-process Example

The second example of DPDK multi-process support demonstrates how a set of processes can run in parallel, with each process performing the same set of packet-processing operations. (Since each process is identical in functionality to the others, we refer to this as symmetric multi-processing, to differentiate it from asymmetric multi-processing - such as a client-server mode of operation seen in the next example, where different processes perform different tasks, yet co-operate to form a packet-processing system.) The following diagram shows the data-flow through the application, using two processes.

As the diagram shows, each process reads packets from each of the network ports in use. RSS is used to distribute incoming packets on each port to different hardware RX queues. Each process reads a different RX queue on each port and so does not contend with any other process for that queue access. Similarly, each process writes outgoing packets to a different TX queue on each port.

Running the Application

As with the `simple_mp` example, the first instance of the `symmetric_mp` process must be run as the primary instance, though with a number of other application-specific parameters also provided after the EAL arguments. These additional parameters are:

- `-p <portmask>`, where `portmask` is a hexadecimal bitmask of what ports on the system are to be used. For example: `-p 3` to use ports 0 and 1 only.
- `-num-procs <N>`, where `N` is the total number of `symmetric_mp` instances that will be run side-by-side to perform packet processing. This parameter is used to configure the appropriate number of receive queues on each network port.
- `-proc-id <n>`, where `n` is a numeric value in the range $0 \leq n < N$ (number of processes, specified above). This identifies which `symmetric_mp` instance is being run, so that each process can read a unique receive queue on each network port.

The secondary `symmetric_mp` instances must also have these parameters specified, and the first two must be the same as those passed to the primary instance, or errors result.

For example, to run a set of four `symmetric_mp` instances, running on lcores 1-4, all performing level-2 forwarding of packets between ports 0 and 1, the following commands can be used (assuming run as root):

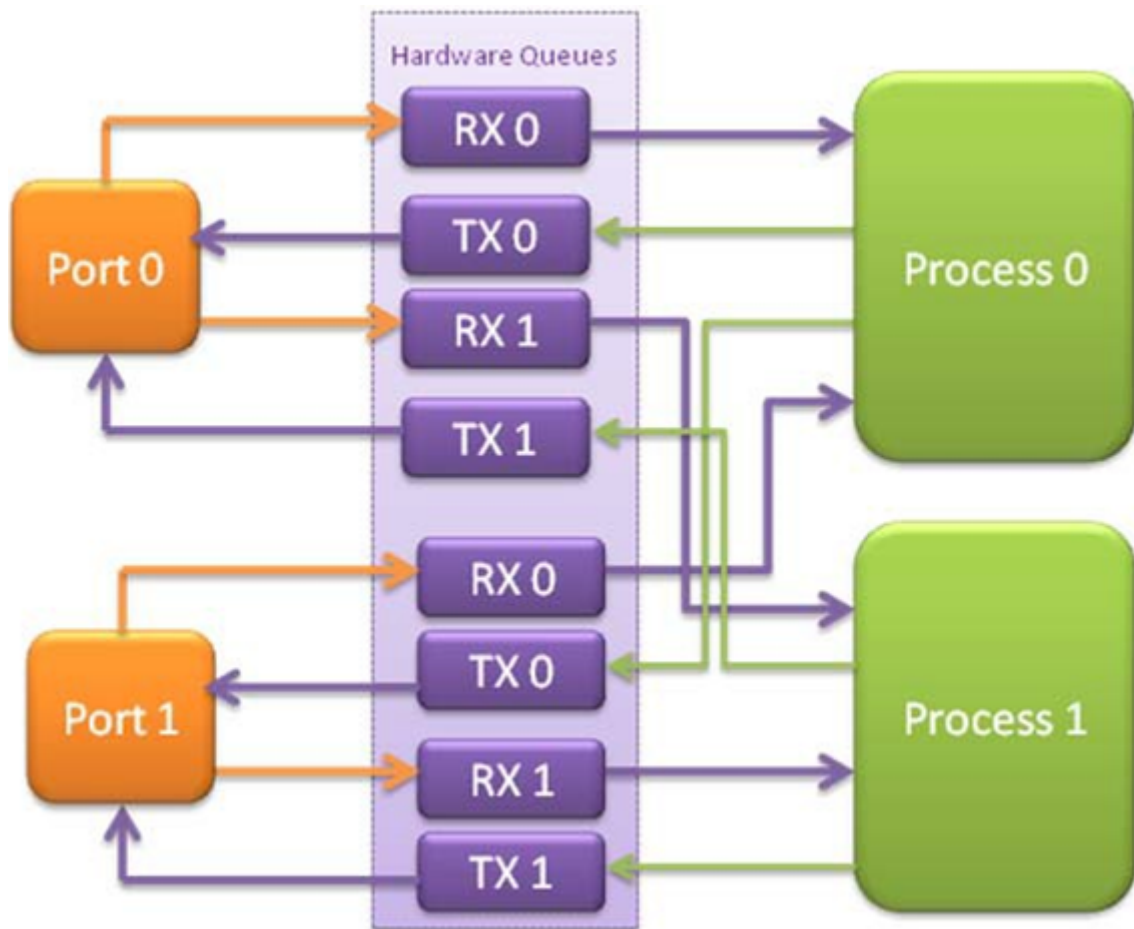


Fig. 28.1: Example Data Flow in a Symmetric Multi-process Application

```
# ./build/symmetric_mp -l 1 -n 4 --proc-type=auto -- -p 3 --num-procs=4 --proc-id=0
# ./build/symmetric_mp -l 2 -n 4 --proc-type=auto -- -p 3 --num-procs=4 --proc-id=1
# ./build/symmetric_mp -l 3 -n 4 --proc-type=auto -- -p 3 --num-procs=4 --proc-id=2
# ./build/symmetric_mp -l 4 -n 4 --proc-type=auto -- -p 3 --num-procs=4 --proc-id=3
```

Note: In the above example, the process type can be explicitly specified as primary or secondary, rather than auto. When using auto, the first process run creates all the memory structures needed for all processes - irrespective of whether it has a proc-id of 0, 1, 2 or 3.

Note: For the symmetric multi-process example, since all processes work in the same manner, once the hugepage shared memory and the network ports are initialized, it is not necessary to restart all processes if the primary instance dies. Instead, that process can be restarted as a secondary, by explicitly setting the proc-type to secondary on the command line. (All subsequent instances launched will also need this explicitly specified, as auto-detection will detect no primary processes running and therefore attempt to re-initialize shared memory.)

How the Application Works

The initialization calls in both the primary and secondary instances are the same for the most part, calling the `rte_eal_init()`, 1 G and 10 G driver initialization and then `rte_pci_probe()` functions. Thereafter, the initialization done depends on whether the process is configured as a primary or secondary instance.

In the primary instance, a memory pool is created for the packet mbufs and the network ports to be used are initialized - the number of RX and TX queues per port being determined by the `num-procs` parameter passed on the command-line. The structures for the initialized network ports are stored in shared memory and therefore will be accessible by the secondary process as it initializes.

```
if (num_ports & 1)
    rte_exit(EXIT_FAILURE, "Application must use an even number of ports\n");

for(i = 0; i < num_ports; i++){
    if(proc_type == RTE_PROC_PRIMARY)
        if (smp_port_init(ports[i], mp, (uint16_t)num_procs) < 0)
            rte_exit(EXIT_FAILURE, "Error initializing ports\n");
}
```

In the secondary instance, rather than initializing the network ports, the port information exported by the primary process is used, giving the secondary process access to the hardware and software rings for each network port. Similarly, the memory pool of mbufs is accessed by doing a lookup for it by name:

```
mp = (proc_type == RTE_PROC_SECONDARY) ? rte_mempool_lookup(_SMP_MBUF_POOL) : rte_mempool_creat
```

Once this initialization is complete, the main loop of each process, both primary and secondary, is exactly the same - each process reads from each port using the queue corresponding to its proc-id parameter, and writes to the corresponding transmit queue on the output port.

28.1.4 Client-Server Multi-process Example

The third example multi-process application included with the DPDK shows how one can use a client-server type multi-process design to do packet processing. In this example, a single server process performs the packet reception from the ports being used and distributes these

packets using round-robin ordering among a set of client processes, which perform the actual packet processing. In this case, the client applications just perform level-2 forwarding of packets by sending each packet out on a different network port.

The following diagram shows the data-flow through the application, using two client processes.

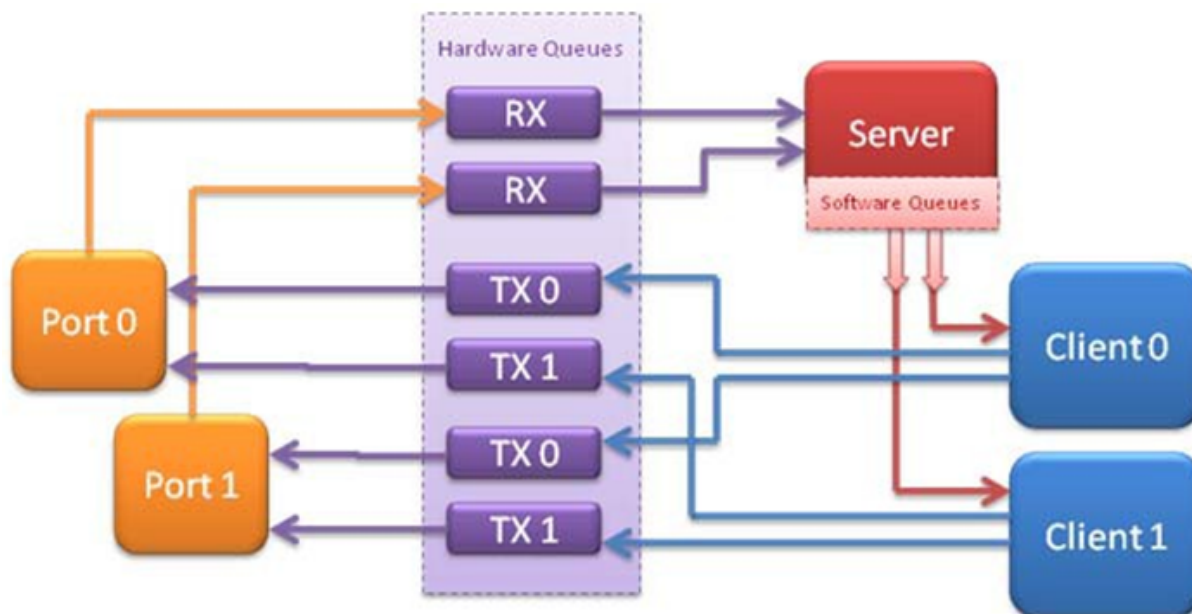


Fig. 28.2: Example Data Flow in a Client-Server Symmetric Multi-process Application

Running the Application

The server process must be run initially as the primary process to set up all memory structures for use by the clients. In addition to the EAL parameters, the application-specific parameters are:

- `-p <portmask >`, where `portmask` is a hexadecimal bitmask of what ports on the system are to be used. For example: `-p 3` to use ports 0 and 1 only.
- `-n <num-clients>`, where the `num-clients` parameter is the number of client processes that will process the packets received by the server application.

Note: In the server process, a single thread, the master thread, that is, the lowest numbered lcore in the `coremask/corelist`, performs all packet I/O. If a `coremask/corelist` is specified with more than a single lcore bit set in it, an additional lcore will be used for a thread to periodically print packet count statistics.

Since the server application stores configuration data in shared memory, including the network ports to be used, the only application parameter needed by a client process is its client instance ID. Therefore, to run a server application on lcore 1 (with lcore 2 printing statistics) along with two client processes running on lcores 3 and 4, the following commands could be used:

```
# ./mp_server/build/mp_server -l 1-2 -n 4 -- -p 3 -n 2
# ./mp_client/build/mp_client -l 3 -n 4 --proc-type=auto -- -n 0
# ./mp_client/build/mp_client -l 4 -n 4 --proc-type=auto -- -n 1
```


Note: If the server application dies and needs to be restarted, all client applications also need to be restarted, as there is no support in the server application for it to run as a secondary process. Any client processes that need restarting can be restarted without affecting the server process.

How the Application Works

The server process performs the network port and data structure initialization much as the symmetric multi-process application does when run as primary. One additional enhancement in this sample application is that the server process stores its port configuration data in a memory zone in hugepage shared memory. This eliminates the need for the client processes to have the portmask parameter passed into them on the command line, as is done for the symmetric multi-process application, and therefore eliminates mismatched parameters as a potential source of errors.

In the same way that the server process is designed to be run as a primary process instance only, the client processes are designed to be run as secondary instances only. They have no code to attempt to create shared memory objects. Instead, handles to all needed rings and memory pools are obtained via calls to `rte_ring_lookup()` and `rte_mempool_lookup()`. The network ports for use by the processes are obtained by loading the network port drivers and probing the PCI bus, which will, as in the symmetric multi-process example, automatically get access to the network ports using the settings already configured by the primary/server process.

Once all applications are initialized, the server operates by reading packets from each network port in turn and distributing those packets to the client queues (software rings, one for each client process) in round-robin order. On the client side, the packets are read from the rings in as big of bursts as possible, then routed out to a different network port. The routing used is very simple. All packets received on the first NIC port are transmitted back out on the second port and vice versa. Similarly, packets are routed between the 3rd and 4th network ports and so on. The sending of packets is done by writing the packets directly to the network ports; they are not transferred back via the server process.

In both the server and the client processes, outgoing packets are buffered before being sent, so as to allow the sending of multiple packets in a single burst to improve efficiency. For example, the client process will buffer packets to send, until either the buffer is full or until we receive no further packets from the server.

QOS METERING SAMPLE APPLICATION

The QoS meter sample application is an example that demonstrates the use of DPDK to provide QoS marking and metering, as defined by RFC2697 for Single Rate Three Color Marker (srTCM) and RFC 2698 for Two Rate Three Color Marker (trTCM) algorithm.

29.1 Overview

The application uses a single thread for reading the packets from the RX port, metering, marking them with the appropriate color (green, yellow or red) and writing them to the TX port.

A policing scheme can be applied before writing the packets to the TX port by dropping or changing the color of the packet in a static manner depending on both the input and output colors of the packets that are processed by the meter.

The operation mode can be selected as compile time out of the following options:

- Simple forwarding
- srTCM color blind
- srTCM color aware
- srTCM color blind
- srTCM color aware

Please refer to RFC2697 and RFC2698 for details about the srTCM and trTCM configurable parameters (CIR, CBS and EBS for srTCM; CIR, PIR, CBS and PBS for trTCM).

The color blind modes are functionally equivalent with the color-aware modes when all the incoming packets are colored as green.

29.2 Compiling the Application

To compile the sample application see [Compiling the Sample Applications](#).

The application is located in the `qos_meter` sub-directory.

29.3 Running the Application

The application execution command line is as below:

```
./qos_meter [EAL options] -- -p PORTMASK
```

The application is constrained to use a single core in the EAL core mask and 2 ports only in the application port mask (first port from the port mask is used for RX and the other port in the core mask is used for TX).

Refer to *DPDK Getting Started Guide* for general information on running applications and the Environment Abstraction Layer (EAL) options.

29.4 Explanation

Selecting one of the metering modes is done with these defines:

```
#define APP_MODE_FWD 0
#define APP_MODE_SRTCM_COLOR_BLIND 1
#define APP_MODE_SRTCM_COLOR_AWARE 2
#define APP_MODE_TRTCM_COLOR_BLIND 3
#define APP_MODE_TRTCM_COLOR_AWARE 4

#define APP_MODE APP_MODE_SRTCM_COLOR_BLIND
```

To simplify debugging (for example, by using the traffic generator RX side MAC address based packet filtering feature), the color is defined as the LSB byte of the destination MAC address.

The traffic meter parameters are configured in the application source code with following default values:

```
struct rte_meter_srtcm_params app_srtcm_params[] = {
    {.cir = 1000000 * 46, .cbs = 2048, .ebs = 2048},
};

struct rte_meter_trtcm_params app_trtcm_params[] = {
    {.cir = 1000000 * 46, .pir = 1500000 * 46, .cbs = 2048, .pbs = 2048},
};
```

Assuming the input traffic is generated at line rate and all packets are 64 bytes Ethernet frames (IPv4 packet size of 46 bytes) and green, the expected output traffic should be marked as shown in the following table:

Table 29.1: Output Traffic Marking

| Mode | Green (Mpps) | Yellow (Mpps) | Red (Mpps) |
|-------------|--------------|---------------|------------|
| srTCM blind | 1 | 1 | 12.88 |
| srTCM color | 1 | 1 | 12.88 |
| trTCM blind | 1 | 0.5 | 13.38 |
| trTCM color | 1 | 0.5 | 13.38 |
| FWD | 14.88 | 0 | 0 |

To set up the policing scheme as desired, it is necessary to modify the main.h source file, where this policy is implemented as a static structure, as follows:

```
int policer_table[e_RTE_METER_COLORS][e_RTE_METER_COLORS] =
{
    { GREEN, RED, RED},
    { DROP, YELLOW, RED},
```

```
{ DROP, DROP, RED }  
};
```

Where rows indicate the input color, columns indicate the output color, and the value that is stored in the table indicates the action to be taken for that particular case.

There are four different actions:

- GREEN: The packet's color is changed to green.
- YELLOW: The packet's color is changed to yellow.
- RED: The packet's color is changed to red.
- DROP: The packet is dropped.

In this particular case:

- Every packet which input and output color are the same, keeps the same color.
- Every packet which color has improved is dropped (this particular case can't happen, so these values will not be used).
- For the rest of the cases, the color is changed to red.

Note:

- In color blind mode, first row GREEN color is only valid.
 - To drop the packet, `policer_table` action has to be set to DROP.
-

QOS SCHEDULER SAMPLE APPLICATION

The QoS sample application demonstrates the use of the DPDK to provide QoS scheduling.

30.1 Overview

The architecture of the QoS scheduler application is shown in the following figure.

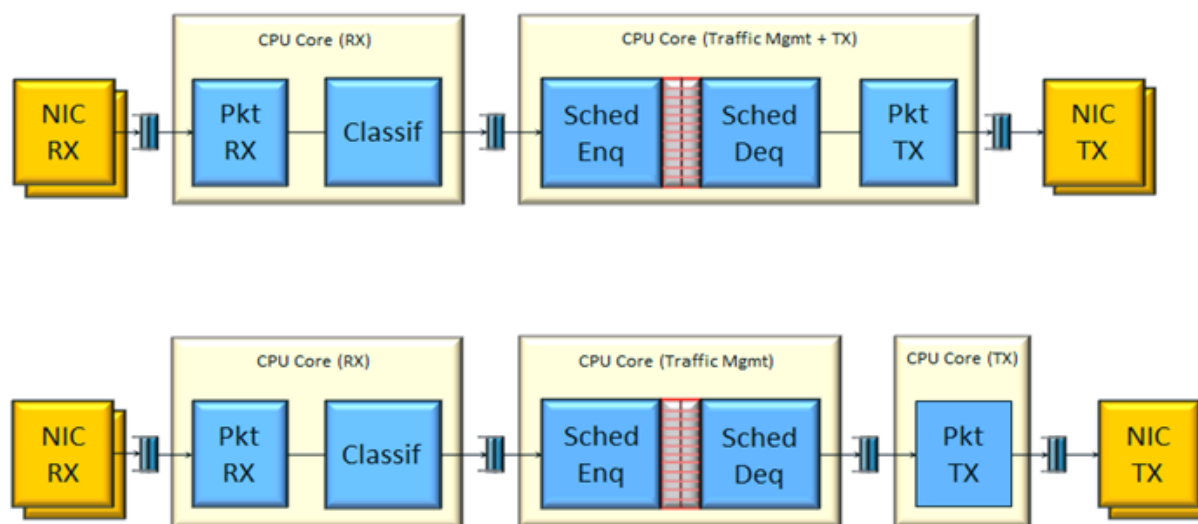


Fig. 30.1: QoS Scheduler Application Architecture

There are two flavors of the runtime execution for this application, with two or three threads per each packet flow configuration being used. The RX thread reads packets from the RX port, classifies the packets based on the double VLAN (outer and inner) and the lower two bytes of the IP destination address and puts them into the ring queue. The worker thread dequeues the packets from the ring and calls the QoS scheduler enqueue/dequeue functions. If a separate TX core is used, these are sent to the TX ring. Otherwise, they are sent directly to the TX port. The TX thread, if present, reads from the TX ring and write the packets to the TX port.

30.2 Compiling the Application

To compile the sample application see [Compiling the Sample Applications](#).

The application is located in the `qos_sched` sub-directory.

Note: This application is intended as a linux only.

Note: To get statistics on the sample app using the command line interface as described in the next section, DPDK must be compiled defining `CONFIG_RTE_SCHED_COLLECT_STATS`, which can be done by changing the configuration file for the specific target to be compiled.

30.3 Running the Application

Note: In order to run the application, a total of at least 4 G of huge pages must be set up for each of the used sockets (depending on the cores in use).

The application has a number of command line options:

```
./qos_sched [EAL options] -- <APP PARAMS>
```

Mandatory application parameters include:

- `-pfc` “RX PORT, TX PORT, RX LCORE, WT LCORE, TX CORE”: Packet flow configuration. Multiple pfc entities can be configured in the command line, having 4 or 5 items (if TX core defined or not).

Optional application parameters include:

- `-i`: It makes the application to start in the interactive mode. In this mode, the application shows a command line that can be used for obtaining statistics while scheduling is taking place (see interactive mode below for more information).
- `-mst n`: Master core index (the default value is 1).
- `-rsz “A, B, C”`: Ring sizes:
 - A = Size (in number of buffer descriptors) of each of the NIC RX rings read by the I/O RX lcores (the default value is 128).
 - B = Size (in number of elements) of each of the software rings used by the I/O RX lcores to send packets to worker lcores (the default value is 8192).
 - C = Size (in number of buffer descriptors) of each of the NIC TX rings written by worker lcores (the default value is 256)
- `-bsz “A, B, C, D”`: Burst sizes
 - A = I/O RX lcore read burst size from the NIC RX (the default value is 64)
 - B = I/O RX lcore write burst size to the output software rings, worker lcore read burst size from input software rings, QoS enqueue size (the default value is 64)
 - C = QoS dequeue size (the default value is 32)
 - D = Worker lcore write burst size to the NIC TX (the default value is 64)
- `-msz M`: Mempool size (in number of mbufs) for each pfc (default 2097152)
- `-rth “A, B, C”`: The RX queue threshold parameters
 - A = RX prefetch threshold (the default value is 8)

- B = RX host threshold (the default value is 8)
- C = RX write-back threshold (the default value is 4)
- -tth "A, B, C": TX queue threshold parameters
- A = TX prefetch threshold (the default value is 36)
- B = TX host threshold (the default value is 0)
- C = TX write-back threshold (the default value is 0)
- -cfg FILE: Profile configuration to load

Refer to *DPDK Getting Started Guide* for general information on running applications and the Environment Abstraction Layer (EAL) options.

The profile configuration file defines all the port/subport/pipe/traffic class/queue parameters needed for the QoS scheduler configuration.

The profile file has the following format:

```

; port configuration [port]

frame overhead = 24
number of subports per port = 1
number of pipes per subport = 4096
queue sizes = 64 64 64 64

; Subport configuration

[subport 0]
tb rate = 1250000000; Bytes per second
tb size = 1000000; Bytes
tc 0 rate = 1250000000; Bytes per second
tc 1 rate = 1250000000; Bytes per second
tc 2 rate = 1250000000; Bytes per second
tc 3 rate = 1250000000; Bytes per second
tc period = 10; Milliseconds
tc oversubscription period = 10; Milliseconds

pipe 0-4095 = 0; These pipes are configured with pipe profile 0

; Pipe configuration

[pipe profile 0]
tb rate = 305175; Bytes per second
tb size = 1000000; Bytes

tc 0 rate = 305175; Bytes per second
tc 1 rate = 305175; Bytes per second
tc 2 rate = 305175; Bytes per second
tc 3 rate = 305175; Bytes per second
tc period = 40; Milliseconds

tc 0 oversubscription weight = 1
tc 1 oversubscription weight = 1
tc 2 oversubscription weight = 1
tc 3 oversubscription weight = 1

tc 0 wrr weights = 1 1 1 1
tc 1 wrr weights = 1 1 1 1
tc 2 wrr weights = 1 1 1 1
tc 3 wrr weights = 1 1 1 1

```

```

; RED params per traffic class and color (Green / Yellow / Red)

[red]
tc 0 wred min = 48 40 32
tc 0 wred max = 64 64 64
tc 0 wred inv prob = 10 10 10
tc 0 wred weight = 9 9 9

tc 1 wred min = 48 40 32
tc 1 wred max = 64 64 64
tc 1 wred inv prob = 10 10 10
tc 1 wred weight = 9 9 9

tc 2 wred min = 48 40 32
tc 2 wred max = 64 64 64
tc 2 wred inv prob = 10 10 10
tc 2 wred weight = 9 9 9

tc 3 wred min = 48 40 32
tc 3 wred max = 64 64 64
tc 3 wred inv prob = 10 10 10
tc 3 wred weight = 9 9 9

```

30.3.1 Interactive mode

These are the commands that are currently working under the command line interface:

- Control Commands
- -quit: Quits the application.
- General Statistics
 - stats app: Shows a table with in-app calculated statistics.
 - stats port X subport Y: For a specific subport, it shows the number of packets that went through the scheduler properly and the number of packets that were dropped. The same information is shown in bytes. The information is displayed in a table separating it in different traffic classes.
 - stats port X subport Y pipe Z: For a specific pipe, it shows the number of packets that went through the scheduler properly and the number of packets that were dropped. The same information is shown in bytes. This information is displayed in a table separating it in individual queues.
- Average queue size

All of these commands work the same way, averaging the number of packets throughout a specific subset of queues.

Two parameters can be configured for this prior to calling any of these commands:

- qavg n X: n is the number of times that the calculation will take place. Bigger numbers provide higher accuracy. The default value is 10.
- qavg period X: period is the number of microseconds that will be allowed between each calculation. The default value is 100.

The commands that can be used for measuring average queue size are:

- `qavg port X subport Y`: Show average queue size per subport.
- `qavg port X subport Y tc Z`: Show average queue size per subport for a specific traffic class.
- `qavg port X subport Y pipe Z`: Show average queue size per pipe.
- `qavg port X subport Y pipe Z tc A`: Show average queue size per pipe for a specific traffic class.
- `qavg port X subport Y pipe Z tc A q B`: Show average queue size of a specific queue.

30.3.2 Example

The following is an example command with a single packet flow configuration:

```
./qos_sched -l 1,5,7 -n 4 -- --pfc "3,2,5,7" --cfg ./profile.cfg
```

This example uses a single packet flow configuration which creates one RX thread on lcore 5 reading from port 3 and a worker thread on lcore 7 writing to port 2.

Another example with 2 packet flow configurations using different ports but sharing the same core for QoS scheduler is given below:

```
./qos_sched -l 1,2,6,7 -n 4 -- --pfc "3,2,2,6,7" --pfc "1,0,2,6,7" --cfg ./profile.cfg
```

Note that independent cores for the packet flow configurations for each of the RX, WT and TX thread are also supported, providing flexibility to balance the work.

The EAL coremask/corelist is constrained to contain the default mastercore 1 and the RX, WT and TX cores only.

30.4 Explanation

The Port/Subport/Pipe/Traffic Class/Queue are the hierarchical entities in a typical QoS application:

- A subport represents a predefined group of users.
- A pipe represents an individual user/subscriber.
- A traffic class is the representation of a different traffic type with a specific loss rate, delay and jitter requirements; such as data voice, video or data transfers.
- A queue hosts packets from one or multiple connections of the same type belonging to the same user.

The traffic flows that need to be configured are application dependent. This application classifies based on the QinQ double VLAN tags and the IP destination address as indicated in the following table.

Table 30.1: Entity Types

| Level Name | Siblings per Parent | QoS Functional Description | Selected By |
|---------------|---------------------|--|----------------------------------|
| Port | . | Ethernet port | Physical port |
| Subport | Config (8) | Traffic shaped (token bucket) | Outer VLAN tag |
| Pipe | Config (4k) | Traffic shaped (token bucket) | Inner VLAN tag |
| Traffic Class | 4 | TCs of the same pipe services in strict priority | Destination IP address (0.0.X.0) |
| Queue | 4 | Queue of the same TC serviced in WRR | Destination IP address (0.0.0.X) |

Please refer to the “QoS Scheduler” chapter in the *DPDK Programmer’s Guide* for more information about these parameters.

QUOTA AND WATERMARK SAMPLE APPLICATION

The Quota and Watermark sample application is a simple example of packet processing using Data Plane Development Kit (DPDK) that showcases the use of a quota as the maximum number of packets enqueue/dequeue at a time and low and high thresholds, or watermarks, to signal low and high ring usage respectively.

Additionally, it shows how the thresholds can be used to feedback congestion notifications to data producers by temporarily stopping processing overloaded rings and sending Ethernet flow control frames.

This sample application is split in two parts:

- `qw` - The core quota and watermark sample application
- `qwctl` - A command line tool to alter quota and watermarks while `qw` is running

31.1 Overview

The Quota and Watermark sample application performs forwarding for each packet that is received on a given port. The destination port is the adjacent port from the enabled port mask, that is, if the first four ports are enabled (port mask `0xf`), ports 0 and 1 forward into each other, and ports 2 and 3 forward into each other. The MAC addresses of the forwarded Ethernet frames are not affected.

Internally, packets are pulled from the ports by the master logical core and put on a variable length processing pipeline, each stage of which being connected by rings, as shown in [Fig. 31.1](#).

An adjustable quota value controls how many packets are being moved through the pipeline per enqueue and dequeue. Adjustable threshold values associated with the rings control a back-off mechanism that tries to prevent the pipeline from being overloaded by:

- Stopping enqueueing on rings for which the usage has crossed the high watermark threshold
- Sending Ethernet pause frames
- Only resuming enqueueing on a ring once its usage goes below a global low watermark threshold

This mechanism allows congestion notifications to go up the ring pipeline and eventually lead to an Ethernet flow control frame being send to the source.

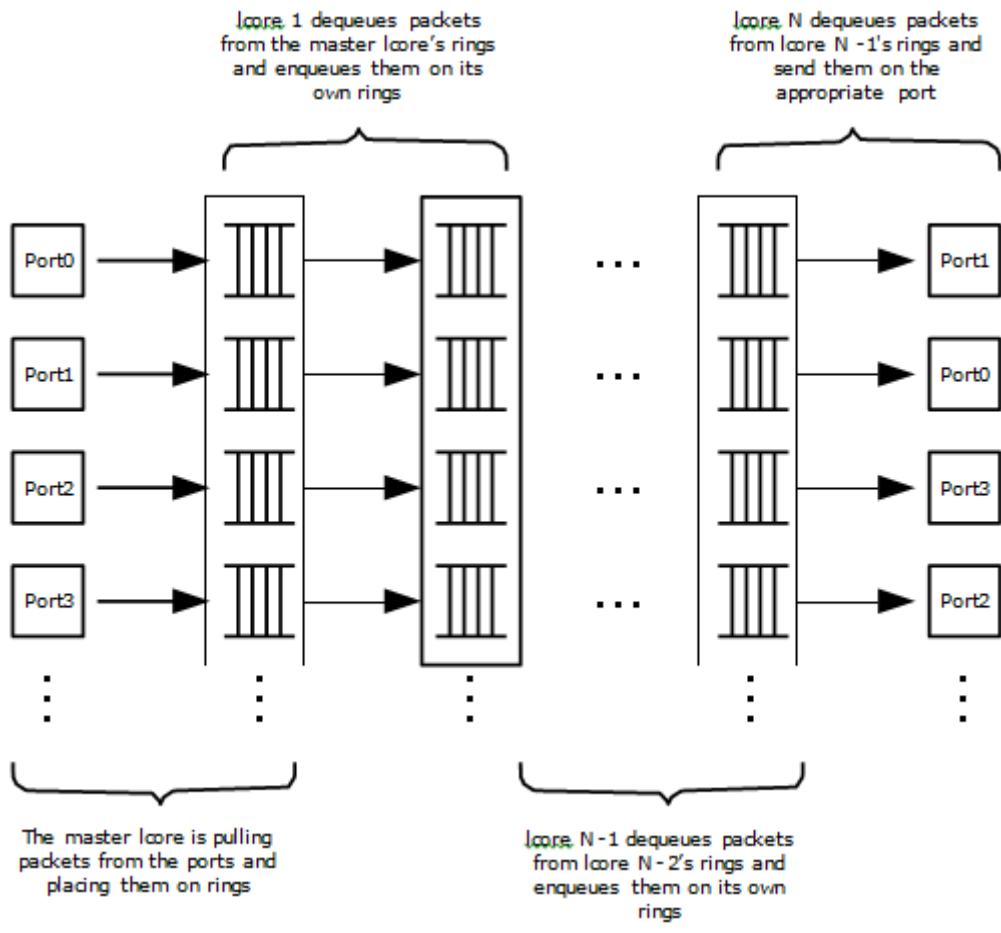


Fig. 31.1: Pipeline Overview

On top of serving as an example of quota and watermark usage, this application can be used to benchmark ring based processing pipelines performance using a traffic- generator, as shown in Fig. 31.2.

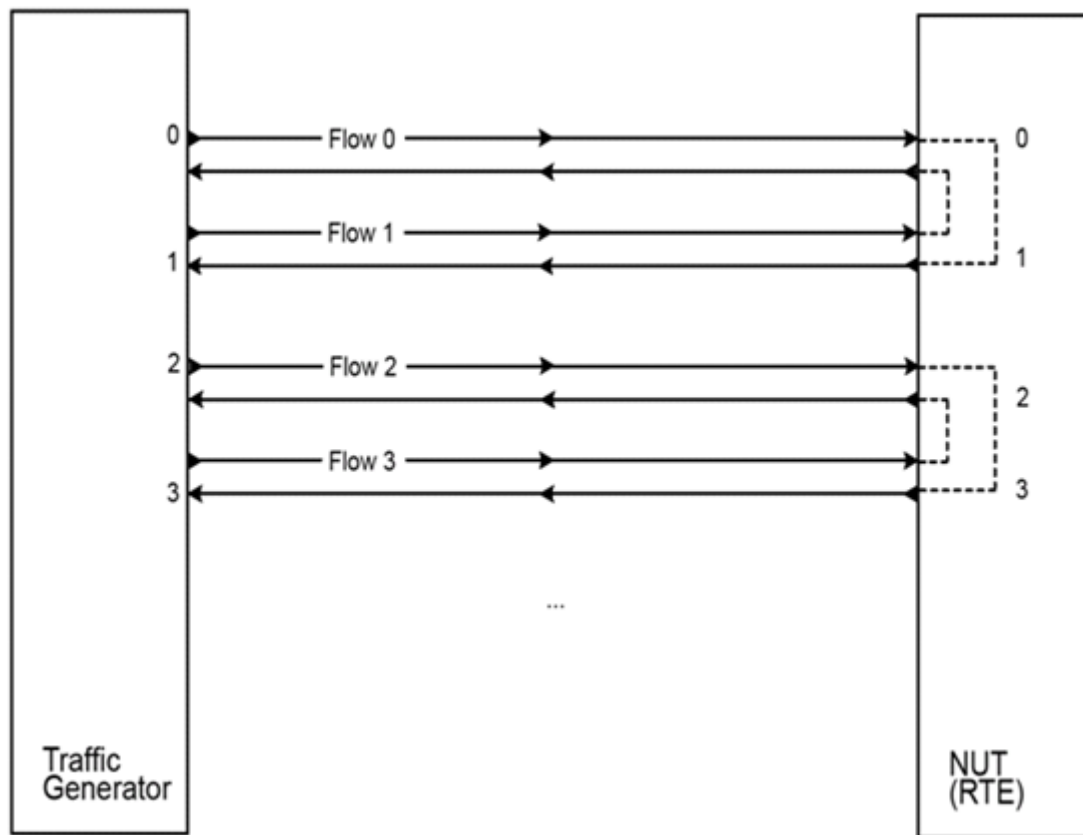


Fig. 31.2: Ring-based Processing Pipeline Performance Setup

31.2 Compiling the Application

To compile the sample application see [Compiling the Sample Applications](#).

The application is located in the `quota_watermark` sub-directory.

31.3 Running the Application

The core application, `qw`, has to be started first.

Once it is up and running, one can alter quota and watermarks while it runs using the control application, `qwctl`.

31.3.1 Running the Core Application

The application requires a single command line option:

```
./qw/build/qw [EAL options] -- -p PORTMASK
```

where,

-p PORTMASK: A hexadecimal bitmask of the ports to configure

To run the application in a linux environment with four logical cores and ports 0 and 2, issue the following command:

```
./qw/build/qw -l 0-3 -n 4 -- -p 5
```

Refer to the *DPDK Getting Started Guide* for general information on running applications and the Environment Abstraction Layer (EAL) options.

31.3.2 Running the Control Application

The control application requires a number of command line options:

```
./qwctl/build/qwctl [EAL options] --proc-type=secondary
```

The `--proc-type=secondary` option is necessary for the EAL to properly initialize the control application to use the same huge pages as the core application and thus be able to access its rings.

To run the application in a linux environment on logical core 0, issue the following command:

```
./qwctl/build/qwctl -l 0 -n 4 --proc-type=secondary
```

Refer to the *DPDK Getting Started Guide* for general information on running applications and the Environment Abstraction Layer (EAL) options.

qwctl is an interactive command line that let the user change variables in a running instance of qw. The help command gives a list of available commands:

```
$ qwctl > help
```

31.4 Code Overview

The following sections provide a quick guide to the application's source code.

31.4.1 Core Application - qw

EAL and Drivers Setup

The EAL arguments are parsed at the beginning of the main() function:

```
ret = rte_eal_init(argc, argv);
if (ret < 0)
    rte_exit(EXIT_FAILURE, "Cannot initialize EAL\n");

argc -= ret;
argv += ret;
```

Then, a call to `init_dpdk()`, defined in `init.c`, is made to initialize the poll mode drivers:

```
void
init_dpdk(void)
{
    int ret;

    /* Bind the drivers to usable devices */
```

```

ret = rte_pci_probe();
if (ret < 0)
    rte_exit(EXIT_FAILURE, "rte_pci_probe(): error %d\n", ret);

if (rte_eth_dev_count_avail() < 2)
    rte_exit(EXIT_FAILURE, "Not enough Ethernet port available\n");
}

```

To fully understand this code, it is recommended to study the chapters that relate to the *Poll Mode Driver* in the *DPDK Getting Started Guide* and the *DPDK API Reference*.

Shared Variables Setup

The quota and high and low watermark shared variables are put into an `rte_memzone` using a call to `setup_shared_variables()`:

```

void
setup_shared_variables(void)
{
    const struct rte_memzone *qw_memzone;

    qw_memzone = rte_memzone_reserve(QUOTA_WATERMARK_MEMZONE_NAME,
                                     3 * sizeof(int), rte_socket_id(), 0);
    if (qw_memzone == NULL)
        rte_exit(EXIT_FAILURE, "%s\n", rte_strerror(rte_errno));

    quota = qw_memzone->addr;
    low_watermark = (unsigned int *) qw_memzone->addr + 1;
    high_watermark = (unsigned int *) qw_memzone->addr + 2;
}

```

These three variables are initialized to a default value in `main()` and can be changed while `qw` is running using the `qwctl` control program.

Application Arguments

The `qw` application only takes one argument: a port mask that specifies which ports should be used by the application. At least two ports are needed to run the application and there should be an even number of ports given in the port mask.

The port mask parsing is done in `parse_qw_args()`, defined in `args.c`.

Mbuf Pool Initialization

Once the application's arguments are parsed, an mbuf pool is created. It contains a set of mbuf objects that are used by the driver and the application to store network packets:

```

/* Create a pool of mbuf to store packets */
mbuf_pool = rte_pktmbuf_pool_create("mbuf_pool", MBUF_PER_POOL, 32, 0,
                                    MBUF_DATA_SIZE, rte_socket_id());

if (mbuf_pool == NULL)
    rte_panic("%s\n", rte_strerror(rte_errno));

```

The `rte_mempool` is a generic structure used to handle pools of objects. In this case, it is necessary to create a pool that will be used by the driver.

The number of allocated pkt mbufs is `MBUF_PER_POOL`, with a data room size of `MBUF_DATA_SIZE` each. A per-core cache of 32 mbufs is kept. The memory is allocated in on the master lcore's socket, but it is possible to extend this code to allocate one mbuf pool per socket.

The `rte_pktmbuf_pool_create()` function uses the default mbuf pool and mbuf initializers, respectively `rte_pktmbuf_pool_init()` and `rte_pktmbuf_init()`. An advanced application may want to use the mempool API to create the mbuf pool with more control.

Ports Configuration and Pairing

Each port in the port mask is configured and a corresponding ring is created in the master lcore's array of rings. This ring is the first in the pipeline and will hold the packets directly coming from the port.

```
for (port_id = 0; port_id < RTE_MAX_ETHPORTS; port_id++)
    if (is_bit_set(port_id, portmask)) {
        configure_eth_port(port_id);
        init_ring(master_lcore_id, port_id);
    }

pair_ports();
```

The `configure_eth_port()` and `init_ring()` functions are used to configure a port and a ring respectively and are defined in `init.c`. They make use of the DPDK APIs defined in `rte_eth.h` and `rte_ring.h`.

`pair_ports()` builds the `port_pairs[]` array so that its key-value pairs are a mapping between reception and transmission ports. It is defined in `init.c`.

Logical Cores Assignment

The application uses the master logical core to poll all the ports for new packets and enqueue them on a ring associated with the port.

Each logical core except the last runs `pipeline_stage()` after a ring for each used port is initialized on that core. `pipeline_stage()` on core X dequeues packets from core X-1's rings and enqueue them on its own rings. See [Fig. 31.3](#).

```
/* Start pipeline_stage() on all the available slave lcore but the last */

for (lcore_id = 0 ; lcore_id < last_lcore_id; lcore_id++) {
    if (rte_lcore_is_enabled(lcore_id) && lcore_id != master_lcore_id) {
        for (port_id = 0; port_id < RTE_MAX_ETHPORTS; port_id++)
            if (is_bit_set(port_id, portmask))
                init_ring(lcore_id, port_id);

        rte_eal_remote_launch(pipeline_stage, NULL, lcore_id);
    }
}
```

The last available logical core runs `send_stage()`, which is the last stage of the pipeline dequeuing packets from the last ring in the pipeline and sending them out on the destination port setup by `pair_ports()`.

```
/* Start send_stage() on the last slave core */

rte_eal_remote_launch(send_stage, NULL, last_lcore_id);
```


Receive, Process and Transmit Packets

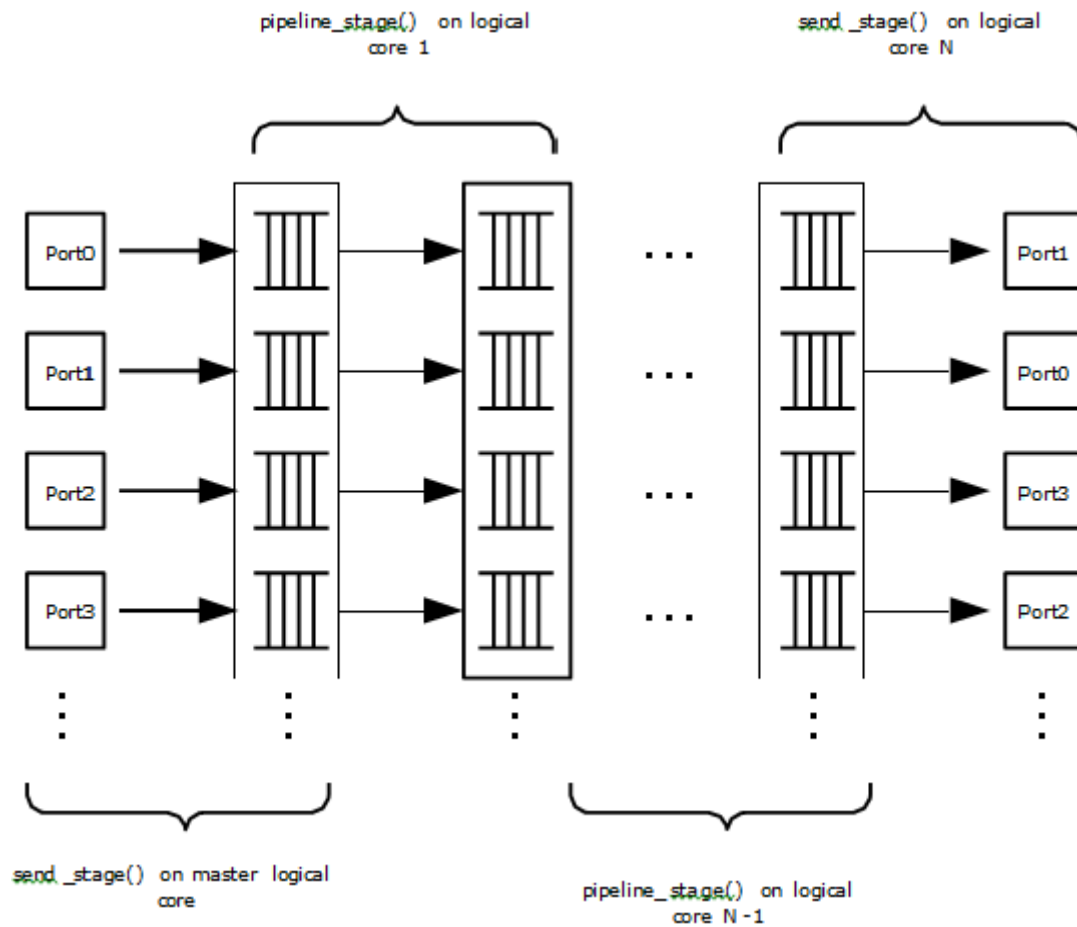


Fig. 31.3: Threads and Pipelines

In the `receive_stage()` function running on the master logical core, the main task is to read ingress packets from the RX ports and enqueue them on the port's corresponding first ring in the pipeline. This is done using the following code:

```
lcore_id = rte_lcore_id();

/* Process each port round robin style */

for (port_id = 0; port_id < RTE_MAX_ETHPORTS; port_id++) {
    if (!is_bit_set(port_id, portmask))
        continue;

    ring = rings[lcore_id][port_id];

    if (ring_state[port_id] != RING_READY) {
        if (rte_ring_count(ring) > *low_watermark)
            continue;
        else
            ring_state[port_id] = RING_READY;
    }

    /* Enqueue received packets on the RX ring */
    nb_rx_pkts = rte_eth_rx_burst(port_id, 0, pkts,
        (uint16_t) *quota);
    ret = rte_ring_enqueue_bulk(ring, (void *) pkts,
        nb_rx_pkts, &free);
}
```

```

if (RING_SIZE - free > *high_watermark) {
    ring_state[port_id] = RING_OVERLOADED;
    send_pause_frame(port_id, 1337);
}

if (ret == 0) {

    /*
     * Return mbufs to the pool,
     * effectively dropping packets
     */
    for (i = 0; i < nb_rx_pkts; i++)
        rte_pktmbuf_free(pkts[i]);
}
}

```

For each port in the port mask, the corresponding ring's pointer is fetched into ring and that ring's state is checked:

- If it is in the RING_READY state, *quota packets are grabbed from the port and put on the ring. Should this operation make the ring's usage cross its high watermark, the ring is marked as overloaded and an Ethernet flow control frame is sent to the source.
- If it is not in the RING_READY state, this port is ignored until the ring's usage crosses the *low_watermark value.

The pipeline_stage() function's task is to process and move packets from the preceding pipeline stage. This thread is running on most of the logical cores to create an arbitrarily long pipeline.

```

lcore_id = rte_lcore_id();

previous_lcore_id = get_previous_lcore_id(lcore_id);

for (port_id = 0; port_id < RTE_MAX_ETHPORTS; port_id++) {
    if (!is_bit_set(port_id, portmask))
        continue;

    tx = rings[lcore_id][port_id];
    rx = rings[previous_lcore_id][port_id];

    if (ring_state[port_id] != RING_READY) {
        if (rte_ring_count(tx) > *low_watermark)
            continue;
        else
            ring_state[port_id] = RING_READY;
    }

    /* Dequeue up to quota mbuf from rx */
    nb_dq_pkts = rte_ring_dequeue_burst(rx, pkts,
                                       *quota, NULL);
    if (unlikely(nb_dq_pkts < 0))
        continue;

    /* Enqueue them on tx */
    ret = rte_ring_enqueue_bulk(tx, pkts,
                               nb_dq_pkts, &free);
    if (RING_SIZE - free > *high_watermark)
        ring_state[port_id] = RING_OVERLOADED;

    if (ret == 0) {

        /*
         * Return mbufs to the pool,

```

```

        * effectively dropping packets
        */
        for (i = 0; i < nb_dq_pkts; i++)
            rte_pktmbuf_free(pkts[i]);
    }
}

```

The thread's logic works mostly like `receive_stage()`, except that packets are moved from ring to ring instead of port to ring.

In this example, no actual processing is done on the packets, but `pipeline_stage()` is an ideal place to perform any processing required by the application.

Finally, the `send_stage()` function's task is to read packets from the last ring in a pipeline and send them on the destination port defined in the `port_pairs[]` array. It is running on the last available logical core only.

```

lcore_id = rte_lcore_id();

previous_lcore_id = get_previous_lcore_id(lcore_id);

for (port_id = 0; port_id < RTE_MAX_ETHPORTS; port_id++) {
    if (!is_bit_set(port_id, portmask)) continue;

    dest_port_id = port_pairs[port_id];
    tx = rings[previous_lcore_id][port_id];

    if (rte_ring_empty(tx)) continue;

    /* Dequeue packets from tx and send them */

    nb_dq_pkts = rte_ring_dequeue_burst(tx, (void *) tx_pkts, *quota);
    nb_tx_pkts = rte_eth_tx_burst(dest_port_id, 0, tx_pkts, nb_dq_pkts);
}

```

For each port in the port mask, up to `*quota` packets are pulled from the last ring in its pipeline and sent on the destination port paired with the current port.

31.4.2 Control Application - `qwctl`

The `qwctl` application uses the `rte_cmdline` library to provide the user with an interactive command line that can be used to modify and inspect parameters in a running `qw` application. Those parameters are the global quota and `low_watermark` value as well as each ring's built-in high watermark.

Command Definitions

The available commands are defined in `commands.c`.

It is advised to use the `cmdline` sample application user guide as a reference for everything related to the `rte_cmdline` library.

Accessing Shared Variables

The `setup_shared_variables()` function retrieves the shared variables `quota` and `low_watermark` from the `rte_memzone` previously created by `qw`.

```
static void
setup_shared_variables(void)
{
    const struct rte_memzone *qw_memzone;

    qw_memzone = rte_memzone_lookup(QUOTA_WATERMARK_MEMZONE_NAME);
    if (qw_memzone == NULL)
        rte_exit(EXIT_FAILURE, "Couldn't find memzone\n");

    quota = qw_memzone->addr;

    low_watermark = (unsigned int *) qw_memzone->addr + 1;
    high_watermark = (unsigned int *) qw_memzone->addr + 2;
}
```

TIMER SAMPLE APPLICATION

The Timer sample application is a simple application that demonstrates the use of a timer in a DPDK application. This application prints some messages from different lcores regularly, demonstrating the use of timers.

32.1 Compiling the Application

To compile the sample application see [Compiling the Sample Applications](#).

The application is located in the `timer` sub-directory.

32.2 Running the Application

To run the example in linux environment:

```
$ ./build/timer -l 0-3 -n 4
```

Refer to the *DPDK Getting Started Guide* for general information on running applications and the Environment Abstraction Layer (EAL) options.

32.3 Explanation

The following sections provide some explanation of the code.

32.3.1 Initialization and Main Loop

In addition to EAL initialization, the timer subsystem must be initialized, by calling the `rte_timer_subsystem_init()` function.

```
/* init EAL */

ret = rte_eal_init(argc, argv);
if (ret < 0)
    rte_panic("Cannot init EAL\n");

/* init RTE timer library */

rte_timer_subsystem_init();
```

After timer creation (see the next paragraph), the main loop is executed on each slave lcore using the well-known `rte_eal_remote_launch()` and also on the master.

```

/* call lcore_mainloop() on every slave lcore */

RTE_LCORE_FOREACH_SLAVE(lcore_id) {
    rte_eal_remote_launch(lcore_mainloop, NULL, lcore_id);
}

/* call it on master lcore too */

(void) lcore_mainloop(NULL);

```

The main loop is very simple in this example:

```

while (1) {
    /*
     * Call the timer handler on each core: as we don't
     * need a very precise timer, so only call
     * rte_timer_manage() every ~10ms (at 2 GHz). In a real
     * application, this will enhance performances as
     * reading the HPET timer is not efficient.
     */

    cur_tsc = rte_rdtsc();

    diff_tsc = cur_tsc - prev_tsc;

    if (diff_tsc > TIMER_RESOLUTION_CYCLES) {
        rte_timer_manage();
        prev_tsc = cur_tsc;
    }
}

```

As explained in the comment, it is better to use the TSC register (as it is a per-lcore register) to check if the `rte_timer_manage()` function must be called or not. In this example, the resolution of the timer is 10 milliseconds.

32.3.2 Managing Timers

In the `main()` function, the two timers are initialized. This call to `rte_timer_init()` is necessary before doing any other operation on the timer structure.

```

/* init timer structures */

rte_timer_init(&timer0);
rte_timer_init(&timer1);

```

Then, the two timers are configured:

- The first timer (`timer0`) is loaded on the master lcore and expires every second. Since the `PERIODICAL` flag is provided, the timer is reloaded automatically by the timer subsystem. The callback function is `timer0_cb()`.
- The second timer (`timer1`) is loaded on the next available lcore every 333 ms. The `SINGLE` flag means that the timer expires only once and must be reloaded manually if required. The callback function is `timer1_cb()`.

```

/* load timer0, every second, on master lcore, reloaded automatically */

hz = rte_get_hpet_hz();

```

```

lcore_id = rte_lcore_id();

rte_timer_reset(&timer0, hz, PERIODICAL, lcore_id, timer0_cb, NULL);

/* load timer1, every second/3, on next lcore, reloaded manually */

lcore_id = rte_get_next_lcore(lcore_id, 0, 1);

rte_timer_reset(&timer1, hz/3, SINGLE, lcore_id, timer1_cb, NULL);

```

The callback for the first timer (timer0) only displays a message until a global counter reaches 20 (after 20 seconds). In this case, the timer is stopped using the `rte_timer_stop()` function.

```

/* timer0 callback */

static void
timer0_cb( attribute ((unused)) struct rte_timer *tim, __attribute ((unused)) void *arg)
{
    static unsigned counter = 0;

    unsigned lcore_id = rte_lcore_id();

    printf("%s() on lcore %u\n", FUNCTION, lcore_id);

    /* this timer is automatically reloaded until we decide to stop it, when counter reaches 20 */

    if ((counter++) == 20)
        rte_timer_stop(tim);
}

```

The callback for the second timer (timer1) displays a message and reloads the timer on the next lcore, using the `rte_timer_reset()` function:

```

/* timer1 callback */

static void
timer1_cb( attribute ((unused)) struct rte_timer *tim, __attribute ((unused)) void *arg)
{
    unsigned lcore_id = rte_lcore_id();
    uint64_t hz;

    printf("%s() on lcore %u\n", FUNCTION, lcore_id);

    /* reload it on another lcore */

    hz = rte_get_hpet_hz();

    lcore_id = rte_get_next_lcore(lcore_id, 0, 1);

    rte_timer_reset(&timer1, hz/3, SINGLE, lcore_id, timer1_cb, NULL);
}

```

PACKET ORDERING APPLICATION

The Packet Ordering sample app simply shows the impact of reordering a stream. It's meant to stress the library with different configurations for performance.

33.1 Overview

The application uses at least three CPU cores:

- RX core (maser core) receives traffic from the NIC ports and feeds Worker cores with traffic through SW queues.
- Worker core (slave core) basically do some light work on the packet. Currently it modifies the output port of the packet for configurations with more than one port enabled.
- TX Core (slave core) receives traffic from Worker cores through software queues, inserts out-of-order packets into reorder buffer, extracts ordered packets from the reorder buffer and sends them to the NIC ports for transmission.

33.2 Compiling the Application

To compile the sample application see [Compiling the Sample Applications](#).

The application is located in the `packet_ordering` sub-directory.

33.3 Running the Application

Refer to *DPDK Getting Started Guide* for general information on running applications and the Environment Abstraction Layer (EAL) options.

33.3.1 Application Command Line

The application execution command line is:

```
./test-pipeline [EAL options] -- -p PORTMASK [--disable-reorder]
```

The `-c EAL CPU_COREMASK` option has to contain at least 3 CPU cores. The first CPU core in the core mask is the master core and would be assigned to RX core, the last to TX core and the rest to Worker cores.

The PORTMASK parameter must contain either 1 or even enabled port numbers. When setting more than 1 port, traffic would be forwarded in pairs. For example, if we enable 4 ports, traffic from port 0 to 1 and from 1 to 0, then the other pair from 2 to 3 and from 3 to 2, having [0,1] and [2,3] pairs.

The disable-reorder long option does, as its name implies, disable the reordering of traffic, which should help evaluate reordering performance impact.

VMDQ AND DCB FORWARDING SAMPLE APPLICATION

The VMDQ and DCB Forwarding sample application is a simple example of packet processing using the DPDK. The application performs L2 forwarding using VMDQ and DCB to divide the incoming traffic into queues. The traffic splitting is performed in hardware by the VMDQ and DCB features of the Intel® 82599 and X710/XL710 Ethernet Controllers.

34.1 Overview

This sample application can be used as a starting point for developing a new application that is based on the DPDK and uses VMDQ and DCB for traffic partitioning.

The VMDQ and DCB filters work on MAC and VLAN traffic to divide the traffic into input queues on the basis of the Destination MAC address, VLAN ID and VLAN user priority fields. VMDQ filters split the traffic into 16 or 32 groups based on the Destination MAC and VLAN ID. Then, DCB places each packet into one of queues within that group, based upon the VLAN user priority field.

All traffic is read from a single incoming port (port 0) and output on port 1, without any processing being performed. With Intel® 82599 NIC, for example, the traffic is split into 128 queues on input, where each thread of the application reads from multiple queues. When run with 8 threads, that is, with the `-c FF` option, each thread receives and forwards packets from 16 queues.

As supplied, the sample application configures the VMDQ feature to have 32 pools with 4 queues each as indicated in [Fig. 34.1](#). The Intel® 82599 10 Gigabit Ethernet Controller NIC also supports the splitting of traffic into 16 pools of 8 queues. While the Intel® X710 or XL710 Ethernet Controller NICs support many configurations of VMDQ pools of 4 or 8 queues each. For simplicity, only 16 or 32 pools is supported in this sample. And queues numbers for each VMDQ pool can be changed by setting `CONFIG RTE_LIBRTE_I40E_QUEUE_NUM_PER_VM` in `config/common_*` file. The `nb-pools`, `nb-tcs` and `enable-rss` parameters can be passed on the command line, after the EAL parameters:

```
./build/vmdq_dcb [EAL options] -- -p PORTMASK --nb-pools NP --nb-tcs TC --enable-rss
```

where, NP can be 16 or 32, TC can be 4 or 8, rss is disabled by default.

In Linux* user space, the application can display statistics with the number of packets received on each queue. To have the application display the statistics, send a `SIGHUP` signal to the running application process.

The VMDQ and DCB Forwarding sample application is in many ways simpler than the L2 Forwarding application (see [L2 Forwarding Sample Application \(in Real and Virtualized Environments\)](#)) as it performs unidirectional L2 forwarding of packets from one port to a second

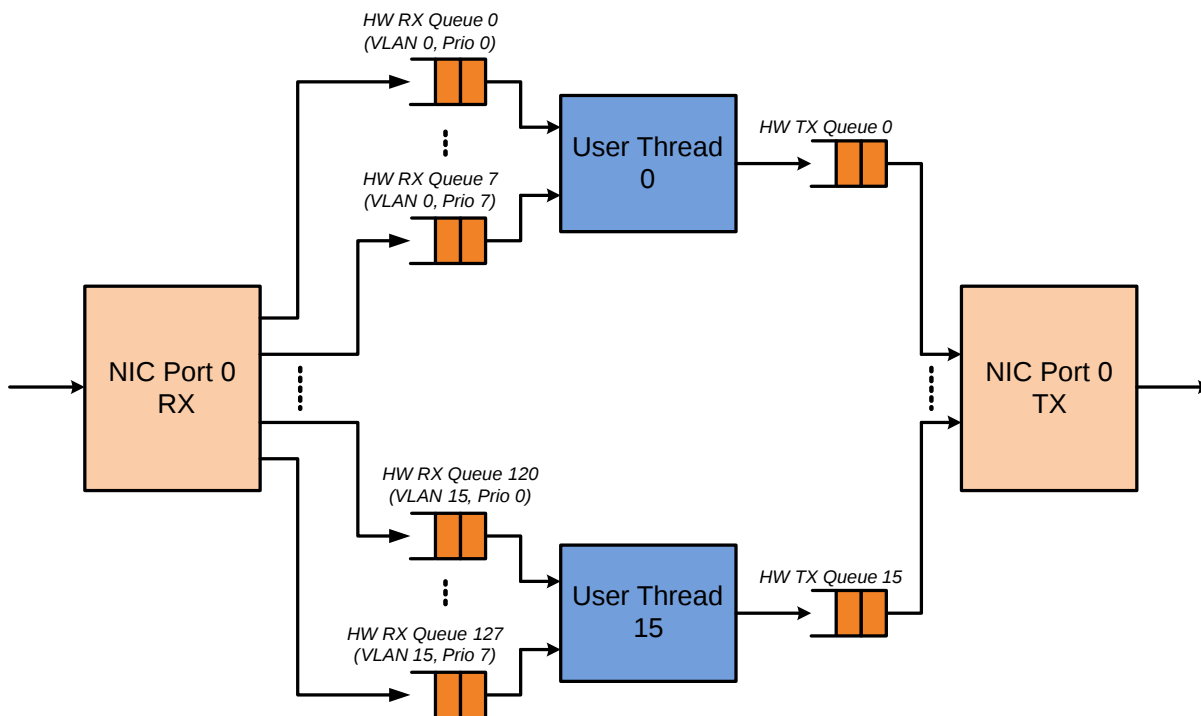


Fig. 34.1: Packet Flow Through the VMDQ and DCB Sample Application

port. No command-line options are taken by this application apart from the standard EAL command-line options.

Note: Since VMD queues are being used for VMM, this application works correctly when VTd is disabled in the BIOS or Linux* kernel (`intel_iommu=off`).

34.2 Compiling the Application

To compile the sample application see [Compiling the Sample Applications](#).

The application is located in the `vmdq_dcb` sub-directory.

34.3 Running the Application

To run the example in a linux environment:

```
user@target:~$ ./build/vmdq_dcb -l 0-3 -n 4 -- -p 0x3 --nb-pools 32 --nb-tcs 4
```

Refer to the *DPDK Getting Started Guide* for general information on running applications and the Environment Abstraction Layer (EAL) options.

34.4 Explanation

The following sections provide some explanation of the code.

34.4.1 Initialization

The EAL, driver and PCI configuration is performed largely as in the L2 Forwarding sample application, as is the creation of the mbuf pool. See [L2 Forwarding Sample Application \(in Real and Virtualized Environments\)](#). Where this example application differs is in the configuration of the NIC port for RX.

The VMDQ and DCB hardware feature is configured at port initialization time by setting the appropriate values in the `rte_eth_conf` structure passed to the `rte_eth_dev_configure()` API. Initially in the application, a default structure is provided for VMDQ and DCB configuration to be filled in later by the application.

```

/* empty vmdq+dcb configuration structure. Filled in programmatically */
static const struct rte_eth_conf vmdq_dcb_conf_default = {
    .rxmode = {
        .mq_mode          = ETH_MQ_RX_VMDQ_DCB,
        .split_hdr_size = 0,
    },
    .txmode = {
        .mq_mode = ETH_MQ_TX_VMDQ_DCB,
    },
    /*
     * should be overridden separately in code with
     * appropriate values
     */
    .rx_adv_conf = {
        .vmdq_dcb_conf = {
            .nb_queue_pools = ETH_32_POOLS,
            .enable_default_pool = 0,
            .default_pool = 0,
            .nb_pool_maps = 0,
            .pool_map = {{0, 0}},
            .dcb_tc = {0},
        },
        .dcb_rx_conf = {
            .nb_tcs = ETH_4_TCS,
            /** Traffic class each UP mapped to. */
            .dcb_tc = {0},
        },
        .vmdq_rx_conf = {
            .nb_queue_pools = ETH_32_POOLS,
            .enable_default_pool = 0,
            .default_pool = 0,
            .nb_pool_maps = 0,
            .pool_map = {{0, 0}},
        },
    },
    .tx_adv_conf = {
        .vmdq_dcb_tx_conf = {
            .nb_queue_pools = ETH_32_POOLS,
            .dcb_tc = {0},
        },
    },
};

```

The `get_eth_conf()` function fills in an `rte_eth_conf` structure with the appropriate values, based on the global `vlan_tags` array, and dividing up the possible user priority values equally among the individual queues (also referred to as traffic classes) within each pool. With Intel® 82599 NIC, if the number of pools is 32, then the user priority fields are allocated 2 to a queue. If 16 pools are used, then each of the 8 user priority fields is allocated to its own queue within the pool. With Intel® X710/XL710 NICs, if number of tcs is 4, and number of queues

in pool is 8, then the user priority fields are allocated 2 to one tc, and a tc has 2 queues mapping to it, then RSS will determine the destination queue in 2. For the VLAN IDs, each one can be allocated to possibly multiple pools of queues, so the pools parameter in the `rte_eth_vmdq_dcb_conf` structure is specified as a bitmask value. For destination MAC, each VMDQ pool will be assigned with a MAC address. In this sample, each VMDQ pool is assigned to the MAC like `52:54:00:12:<port_id>:<pool_id>`, that is, the MAC of VMDQ pool 2 on port 1 is `52:54:00:12:01:02`.

```

const uint16_t vlan_tags[] = {
    0, 1, 2, 3, 4, 5, 6, 7,
    8, 9, 10, 11, 12, 13, 14, 15,
    16, 17, 18, 19, 20, 21, 22, 23,
    24, 25, 26, 27, 28, 29, 30, 31
};

/* pool mac addr template, pool mac addr is like: 52 54 00 12 port# pool# */
static struct ether_addr pool_addr_template = {
    .addr_bytes = {0x52, 0x54, 0x00, 0x12, 0x00, 0x00}
};

/* Builds up the correct configuration for vmdq+dcb based on the vlan tags array
 * given above, and the number of traffic classes available for use. */
static inline int
get_eth_conf(struct rte_eth_conf *eth_conf)
{
    struct rte_eth_vmdq_dcb_conf conf;
    struct rte_eth_vmdq_rx_conf vmdq_conf;
    struct rte_eth_dcb_rx_conf dcb_conf;
    struct rte_eth_vmdq_dcb_tx_conf tx_conf;
    uint8_t i;

    conf.nb_queue_pools = (enum rte_eth_nb_pools)num_pools;
    vmdq_conf.nb_queue_pools = (enum rte_eth_nb_pools)num_pools;
    tx_conf.nb_queue_pools = (enum rte_eth_nb_pools)num_pools;
    conf.nb_pool_maps = num_pools;
    vmdq_conf.nb_pool_maps = num_pools;
    conf.enable_default_pool = 0;
    vmdq_conf.enable_default_pool = 0;
    conf.default_pool = 0; /* set explicit value, even if not used */
    vmdq_conf.default_pool = 0;

    for (i = 0; i < conf.nb_pool_maps; i++) {
        conf.pool_map[i].vlan_id = vlan_tags[i];
        vmdq_conf.pool_map[i].vlan_id = vlan_tags[i];
        conf.pool_map[i].pools = 1UL << i;
        vmdq_conf.pool_map[i].pools = 1UL << i;
    }
    for (i = 0; i < ETH_DCB_NUM_USER_PRIORITIES; i++){
        conf.dcb_tc[i] = i % num_tcs;
        dcb_conf.dcb_tc[i] = i % num_tcs;
        tx_conf.dcb_tc[i] = i % num_tcs;
    }
    dcb_conf.nb_tcs = (enum rte_eth_nb_tcs)num_tcs;
    (void) (rte_memcpy(eth_conf, &vmdq_dcb_conf_default, sizeof(*eth_conf)));
    (void) (rte_memcpy(&eth_conf->rx_adv_conf.vmdq_dcb_conf, &conf,
        sizeof(conf)));
    (void) (rte_memcpy(&eth_conf->rx_adv_conf.dcb_rx_conf, &dcb_conf,
        sizeof(dcb_conf)));
    (void) (rte_memcpy(&eth_conf->rx_adv_conf.vmdq_rx_conf, &vmdq_conf,
        sizeof(vmdq_conf)));
    (void) (rte_memcpy(&eth_conf->tx_adv_conf.vmdq_dcb_tx_conf, &tx_conf,
        sizeof(tx_conf)));
}

```

```

    if (rss_enable) {
        eth_conf->rxmode.mq_mode= ETH_MQ_RX_VMDQ_DCB_RSS;
        eth_conf->rx_adv_conf.rss_conf.rss_hf = ETH_RSS_IP |
            ETH_RSS_UDP |
            ETH_RSS_TCP |
            ETH_RSS_SCTP;
    }
    return 0;
}

.....

/* Set mac for each pool.*/
for (q = 0; q < num_pools; q++) {
    struct ether_addr mac;
    mac = pool_addr_template;
    mac.addr_bytes[4] = port;
    mac.addr_bytes[5] = q;
    printf("Port %u vmdq pool %u set mac %02x:%02x:%02x:%02x:%02x:%02x\n",
        port, q,
        mac.addr_bytes[0], mac.addr_bytes[1],
        mac.addr_bytes[2], mac.addr_bytes[3],
        mac.addr_bytes[4], mac.addr_bytes[5]);
    retval = rte_eth_dev_mac_addr_add(port, &mac,
        q + vmdq_pool_base);
    if (retval) {
        printf("mac addr add failed at pool %d\n", q);
        return retval;
    }
}

```

Once the network port has been initialized using the correct VMDQ and DCB values, the initialization of the port's RX and TX hardware rings is performed similarly to that in the L2 Forwarding sample application. See [L2 Forwarding Sample Application \(in Real and Virtualized Environments\)](#) for more information.

34.4.2 Statistics Display

When run in a linux environment, the VMDQ and DCB Forwarding sample application can display statistics showing the number of packets read from each RX queue. This is provided by way of a signal handler for the SIGHUP signal, which simply prints to standard output the packet counts in grid form. Each row of the output is a single pool with the columns being the queue number within that pool.

To generate the statistics output, use the following command:

```
user@host$ sudo killall -HUP vmdq_dcb_app
```

Please note that the statistics output will appear on the terminal where the vmdq_dcb_app is running, rather than the terminal from which the HUP signal was sent.

VHOST SAMPLE APPLICATION

The vhost sample application demonstrates integration of the Data Plane Development Kit (DPDK) with the Linux* KVM hypervisor by implementing the vhost-net offload API. The sample application performs simple packet switching between virtual machines based on Media Access Control (MAC) address or Virtual Local Area Network (VLAN) tag. The splitting of Ethernet traffic from an external switch is performed in hardware by the Virtual Machine Device Queues (VMDQ) and Data Center Bridging (DCB) features of the Intel® 82599 10 Gigabit Ethernet Controller.

35.1 Testing steps

This section shows the steps how to test a typical PVP case with this vhost-switch sample, whereas packets are received from the physical NIC port first and enqueued to the VM's Rx queue. Through the guest testpmd's default forwarding mode (io forward), those packets will be put into the Tx queue. The vhost-switch example, in turn, gets the packets and puts back to the same physical NIC port.

35.1.1 Build

To compile the sample application see [Compiling the Sample Applications](#).

The application is located in the `vhost` sub-directory.

Note: In this example, you need build DPDK both on the host and inside guest.

35.1.2 Start the vswitch example

```
./vhost-switch -l 0-3 -n 4 --socket-mem 1024 \
  -- --socket-file /tmp/sock0 --client \
  ...
```

Check the [Parameters](#) section for the explanations on what do those parameters mean.

35.1.3 Start the VM

```
qemu-system-x86_64 -machine accel=kvm -cpu host \
  -m $mem -object memory-backend-file,id=mem,size=$mem,mem-path=/dev/hugepages,share=on \
  -mem-prealloc -numa node,memdev=mem \
  \
```

```
-chardev socket,id=char1,path=/tmp/sock0,server \
-netdev type=vhost-user,id=hostnet1,chardev=char1 \
-device virtio-net-pci,netdev=hostnet1,id=net1,mac=52:54:00:00:00:14 \
...
```

Note: For basic vhost-user support, QEMU 2.2 (or above) is required. For some specific features, a higher version might be need. Such as QEMU 2.7 (or above) for the reconnect feature.

35.1.4 Run testpmd inside guest

Make sure you have DPDK built inside the guest. Also make sure the corresponding virtio-net PCI device is bond to a uio driver, which could be done by:

```
modprobe uio_pci_generic
$RTE_SDK/usertools/dpdk-devbind.py -b uio_pci_generic 0000:00:04.0
```

Then start testpmd for packet forwarding testing.

```
./x86_64-native-gcc/app/testpmd -l 0-1 -- -i
> start tx_first
```

35.2 Inject packets

While a virtio-net is connected to vhost-switch, a VLAN tag starts with 1000 is assigned to it. So make sure configure your packet generator with the right MAC and VLAN tag, you should be able to see following log from the vhost-switch console. It means you get it work:

```
VHOST_DATA: (0) mac 52:54:00:00:00:14 and vlan 1000 registered
```

35.3 Parameters

–socket-file path Specifies the vhost-user socket file path.

–client DPDK vhost-user will act as the client mode when such option is given. In the client mode, QEMU will create the socket file. Otherwise, DPDK will create it. Put simply, it's the server to create the socket file.

–vm2vm mode The vm2vm parameter sets the mode of packet switching between guests in the host.

- 0 disables vm2vm, implying that VM's packets will always go to the NIC port.
- 1 means a normal mac lookup packet routing.
- 2 means hardware mode packet forwarding between guests, it allows packets go to the NIC port, hardware L2 switch will determine which guest the packet should forward to or need send to external, which bases on the packet destination MAC address and VLAN tag.

–mergeable 0|1 Set 0/1 to disable/enable the mergeable Rx feature. It's disabled by default.

–stats interval The stats parameter controls the printing of virtio-net device statistics. The parameter specifies an interval (in unit of seconds) to print statistics, with an interval of 0 seconds disabling statistics.

–rx-retry 0|1 The rx-retry option enables/disables enqueue retries when the guests Rx queue is full. This feature resolves a packet loss that is observed at high data rates, by allowing it to delay and retry in the receive path. This option is enabled by default.

–rx-retry-num num The rx-retry-num option specifies the number of retries on an Rx burst, it takes effect only when rx retry is enabled. The default value is 4.

–rx-retry-delay msec The rx-retry-delay option specifies the timeout (in micro seconds) between retries on an RX burst, it takes effect only when rx retry is enabled. The default value is 15.

–dequeue-zero-copy Dequeue zero copy will be enabled when this option is given. it is worth to note that if NIC is bound to driver with iommu enabled, dequeue zero copy cannot work at VM2NIC mode (vm2vm=0) due to currently we don't setup iommu dma mapping for guest memory.

–vlan-strip 0|1 VLAN strip option is removed, because different NICs have different behaviors when disabling VLAN strip. Such feature, which heavily depends on hardware, should be removed from this example to reduce confusion. Now, VLAN strip is enabled and cannot be disabled.

–builtin-net-driver A very simple vhost-user net driver which demonstrates how to use the generic vhost APIs will be used when this option is given. It is disabled by default.

35.4 Common Issues

- QEMU fails to allocate memory on hugetlbfs, with an error like the following:

```
file_ram_alloc: can't mmap RAM pages: Cannot allocate memory
```

When running QEMU the above error indicates that it has failed to allocate memory for the Virtual Machine on the hugetlbfs. This is typically due to insufficient hugepages being free to support the allocation request. The number of free hugepages can be checked as follows:

```
cat /sys/kernel/mm/hugepages/hugepages-<pagesize>/nr_hugepages
```

The command above indicates how many hugepages are free to support QEMU's allocation request.

- Failed to build DPDK in VM

Make sure “-cpu host” QEMU option is given.

- Device start fails if NIC's max queues > the default number of 128

mbuf pool size is dependent on the MAX_QUEUES configuration, if NIC's max queue number is larger than 128, device start will fail due to insufficient mbuf.

Change the default number to make it work as below, just set the number according to the NIC's property.

```
make EXTRA_CFLAGS="-DMAX_QUEUES=320"
```

- Option “builtin-net-driver” is incompatible with QEMU
QEMU vhost net device start will fail if protocol feature is not negotiated. DPDK virtio-user pmd can be the replacement of QEMU.

VHOST_SCSI SAMPLE APPLICATION

The `vhost_scsi` sample application implemented a simple SCSI block device, which used as the backend of Qemu `vhost-user-scsi` device. Users can extend the exist example to use other type of block device(e.g. AIO) besides memory based block device. Similar with `vhost-user-net` device, the sample application used domain socket to communicate with Qemu, and the virtio ring was processed by `vhost_scsi` sample application.

The sample application reuse lots codes from SPDK(Storage Performance Development Kit, <https://github.com/spdk/spdk>) `vhost-user-scsi` target, for DPDK `vhost` library used in storage area, user can take SPDK as reference as well.

36.1 Testing steps

This section shows the steps how to start a VM with the block device as fast data path for critical application.

36.2 Compiling the Application

To compile the sample application see [Compiling the Sample Applications](#).

The application is located in the `examples` sub-directory.

You will also need to build DPDK both on the host and inside the guest

36.2.1 Start the `vhost_scsi` example

```
./vhost_scsi -m 1024
```

36.2.2 Start the VM

```
qemu-system-x86_64 -machine accel=kvm \  
-m $mem -object memory-backend-file,id=mem,size=$mem,\  
mem-path=/dev/hugepages,share=on -numa node,memdev=mem \  
-drive file=os.img,if=none,id=disk \  
-device ide-hd,drive=disk,bootindex=0 \  
-chardev socket,id=char0,path=/tmp/vhost.socket \  
-device vhost-user-scsi-pci,chardev=char0,bootindex=2 \  
...
```

Note: You must check whether your Qemu can support “vhost-user-scsi” or not, Qemu v2.10 or newer version is required.

36.3 Vhost_scsi Common Issues

- vhost_scsi can not start with block size 512 Bytes:

Currently DPDK vhost library was designed for NET device(although the APIs are generic now), for 512 Bytes block device, Qemu BIOS(x86 BIOS Enhanced Disk Device) will enumerate all block device and do some IOs to those block devices with 512 Bytes sector size. DPDK vhost library can not process such scenarios(both BIOS and OS will enumerate the block device), so as a workaround, the vhost_scsi example application hardcoded the block size with 4096 Bytes.

- vhost_scsi can only support the block device as fast data disk(non OS image):
Make sure `bootindex=2` Qemu option is given to vhost-user-scsi-pci device.

VHOST_CRYPTO SAMPLE APPLICATION

The `vhost_crypto` sample application implemented a simple Crypto device, which used as the backend of Qemu `vhost-user-crypto` device. Similar with `vhost-user-net` and `vhost-user-scsi` device, the sample application used domain socket to communicate with Qemu, and the virtio ring was processed by `vhost_crypto` sample application.

37.1 Testing steps

This section shows the steps how to start a VM with the crypto device as fast data path for critical application.

37.2 Compiling the Application

To compile the sample application see [Compiling the Sample Applications](#).

The application is located in the `examples` sub-directory.

37.2.1 Start the `vhost_crypto` example

```
./vhost_crypto [EAL options] --
  --config (lcore,cdev-id,queue-id) [, (lcore,cdev-id,queue-id) ]
  --socket-file lcore,PATH
  [--zero-copy]
  [--guest-polling]
```

where,

- `config (lcore,cdev-id,queue-id)`: build the `lcore-cryptodev id-queue id` connection. Once specified, the specified `lcore` will only work with specified `cryptodev's` queue.
- `socket-file lcore,PATH`: the path of UNIX socket file to be created and the `lcore id` that will deal with the all workloads of the socket. Multiple instances of this config item is supported and one `lcore` supports processing multiple sockets.
- `zero-copy`: the presence of this item means the ZERO-COPY feature will be enabled. Otherwise it is disabled. PLEASE NOTE the ZERO-COPY feature is still in experimental stage and may cause the problem like segmentation fault. If the user wants to use LKCF in the guest, this feature shall be turned off.
- `guest-polling`: the presence of this item means the application assumes the guest works in polling mode, thus will NOT notify the guest completion of processing.

The application requires that crypto devices capable of performing the specified crypto operation are available on application initialization. This means that HW crypto device/s must be bound to a DPDK driver or a SW crypto device/s (virtual crypto PMD) must be created (using `-vdev`).

37.2.2 Start the VM

```
qemu-system-x86_64 -machine accel=kvm \  
-m $mem -object memory-backend-file,id=mem,size=$mem,\  
mem-path=/dev/hugepages,share=on -numa node,memdev=mem \  
-drive file=os.img,if=none,id=disk \  
-device ide-hd,drive=disk,bootindex=0 \  
-chardev socket,id={chardev_id},path={PATH} \  
-object cryptodev-vhost-user,id={obj_id},chardev={chardev_id} \  
-device virtio-crypto-pci,id={dev_id},cryptodev={obj_id} \  
...
```

Note: You must check whether your Qemu can support “vhost-user-crypto” or not.

VDPA SAMPLE APPLICATION

The `vdpa` sample application creates vhost-user sockets by using the vDPA backend. vDPA stands for vhost Data Path Acceleration which utilizes virtio ring compatible devices to serve virtio driver directly to enable datapath acceleration. As vDPA driver can help to set up vhost datapath, this application doesn't need to launch dedicated worker threads for vhost enqueue/dequeue operations.

38.1 Testing steps

This section shows the steps of how to start VMs with vDPA vhost-user backend and verify network connection & live migration.

38.1.1 Build

To compile the sample application see [Compiling the Sample Applications](#).

The application is located in the `vdpa` sub-directory.

38.1.2 Start the `vdpa` example

```
./vdpa [EAL options] -- [--client] [--interactive|-i] or [--iface SOCKET_PATH]
```

where

- `--client` means running `vdpa` app in client mode, in the client mode, QEMU needs to run as the server mode and take charge of socket file creation.
- `--iface` specifies the path prefix of the UNIX domain socket file, e.g. `/tmp/vhost-user-`, then the socket files will be named as `/tmp/vhost-user-<n>` (`n` starts from 0).
- `--interactive` means run the `vdpa` sample in interactive mode, currently 4 internal cmds are supported:
 1. `help`: show help message
 2. `list`: list all available `vdpa` devices
 3. `create`: create a new `vdpa` port with socket file and `vdpa` device address
 4. `quit`: unregister vhost driver and exit the application

Take IFCVF driver for example:

```
./vdpa -c 0x2 -n 4 --socket-mem 1024,1024 \
-w 0000:06:00.3,vdpa=1 -w 0000:06:00.4,vdpa=1 \
-- --interactive
```

Note: Here 0000:06:00.3 and 0000:06:00.4 refer to virtio ring compatible devices, and we need to bind vfio-pci to them before running vdpa sample.

- modprobe vfio-pci
- ./usertools/dpdk-devbind.py -b vfio-pci 06:00.3 06:00.4

Then we can create 2 vdpa ports in interactive cmdline.

```
vdpa> list
device id      device address  queue num      supported features
0              0000:06:00.3   1              0x14c238020
1              0000:06:00.4   1              0x14c238020
2              0000:06:00.5   1              0x14c238020

vdpa> create /tmp/vdpa-socket0 0000:06:00.3
vdpa> create /tmp/vdpa-socket1 0000:06:00.4
```

38.1.3 Start the VMs

```
qemu-system-x86_64 -cpu host -enable-kvm \
<snip>
-mem-prealloc \
-chardev socket,id=char0,path=<socket_file created in above steps> \
-netdev type=vhost-user,id=vdpa,chardev=char0 \
-device virtio-net-pci,netdev=vdpa,mac=00:aa:bb:cc:dd:ee,page-per-vq=on \
```

After the VMs launches, we can login the VMs and configure the ip, verify the network connection via ping or netperf.

Note: Suggest to use QEMU 3.0.0 which extends vhost-user for vDPA.

38.1.4 Live Migration

vDPA supports cross-backend live migration, user can migrate SW vhost backend VM to vDPA backend VM and vice versa. Here are the detailed steps. Assume A is the source host with SW vhost VM and B is the destination host with vDPA.

1. Start vdpa sample and launch a VM with exact same parameters as the VM on A, in migration-listen mode:

```
B: <qemu-command-line> -incoming tcp:0:4444 (or other PORT)
```

2. Start the migration (on source host):

```
A: (qemu) migrate -d tcp:<B ip>:4444 (or other PORT)
```

3. Check the status (on source host):

```
A: (qemu) info migrate
```


NETMAP COMPATIBILITY SAMPLE APPLICATION

39.1 Introduction

The Netmap compatibility library provides a minimal set of APIs to give programs written against the Netmap APIs the ability to be run, with minimal changes to their source code, using the DPDK to perform the actual packet I/O.

Since Netmap applications use regular system calls, like `open()`, `ioctl()` and `mmap()` to communicate with the Netmap kernel module performing the packet I/O, the `compat_netmap` library provides a set of similar APIs to use in place of those system calls, effectively turning a Netmap application into a DPDK application.

The provided library is currently minimal and doesn't support all the features that Netmap supports, but is enough to run simple applications, such as the bridge example detailed below.

Knowledge of Netmap is required to understand the rest of this section. Please refer to the Netmap distribution for details about Netmap.

39.2 Available APIs

The library provides the following drop-in replacements for system calls usually used in Netmap applications:

- `rte_netmap_close()`
- `rte_netmap_ioctl()`
- `rte_netmap_open()`
- `rte_netmap_mmap()`
- `rte_netmap_poll()`

They use the same signature as their libc counterparts, and can be used as drop-in replacements in most cases.

39.3 Caveats

Given the difference between the way Netmap and the DPDK approach packet I/O, there are caveats and limitations to be aware of when trying to use the `compat_netmap` library, the most important of these are listed below. These may change as the library is updated:

- Any system call that can potentially affect file descriptors cannot be used with a descriptor returned by the `rte_netmap_open()` function.

Note that:

- The `rte_netmap_mmap()` function merely returns the address of a DPDK memzone. The address, length, flags, offset, and other arguments are ignored.
- The `rte_netmap_poll()` function only supports infinite (negative) or zero time outs. It effectively turns calls to the `poll()` system call made in a Netmap application into polling of the DPDK ports, changing the semantics of the usual POSIX defined poll.
- Not all of Netmap's features are supported: host rings, slot flags and so on are not supported or are simply not relevant in the DPDK model.
- The Netmap manual page states that "*a device obtained through /dev/netmap also supports the ioctl supported by network devices*". This is not the case with this compatibility layer.
- The Netmap kernel module exposes a sysfs interface to change some internal parameters, such as the size of the shared memory region. This interface is not available when using this compatibility layer.

39.4 Porting Netmap Applications

Porting Netmap applications typically involves two major steps:

- Changing the system calls to use their `compat_netmap` library counterparts.
- Adding further DPDK initialization code.

Since the `compat_netmap` functions have the same signature as the usual libc calls, the change is trivial in most cases.

The usual DPDK initialization code involving `rte_eal_init()` and `rte_pci_probe()` has to be added to the Netmap application in the same way it is used in all other DPDK sample applications. Please refer to the *DPDK Programmer's Guide* and example source code for details about initialization.

In addition of the regular DPDK initialization code, the ported application needs to call initialization functions for the `compat_netmap` library, namely `rte_netmap_init()` and `rte_netmap_init_port()`.

These two initialization functions take `compat_netmap` specific data structures as parameters: `struct rte_netmap_conf` and `struct rte_netmap_port_conf`. The structures' fields are Netmap related and are self-explanatory for developers familiar with Netmap. They are defined in `$RTE_SDK/examples/netmap_compat/lib/compat_netmap.h`.

The bridge application is an example largely based on the bridge example shipped with the Netmap distribution. It shows how a minimal Netmap application with minimal and straightforward source code changes can be run on top of the DPDK. Please refer to `$RTE_SDK/examples/netmap_compat/bridge/bridge.c` for an example of a ported application.

39.5 Compiling the Application

To compile the sample application see [Compiling the Sample Applications](#).

The application is located in the `netmap_compat` sub-directory.

39.6 Running the “bridge” Sample Application

The application requires a single command line option:

```
./build/bridge [EAL options] -- -i INTERFACE_A [-i INTERFACE_B]
```

where,

- `-i INTERFACE`: Interface (DPDK port number) to use.

If a single `-i` parameter is given, the interface will send back all the traffic it receives. If two `-i` parameters are given, the two interfaces form a bridge, where traffic received on one interface is replicated and sent to the other interface.

For example, to run the application in a linux environment using port 0 and 2:

```
./build/bridge [EAL options] -- -i 0 -i 2
```

Refer to the *DPDK Getting Started Guide for Linux* for general information on running applications and the Environment Abstraction Layer (EAL) options.

Note that unlike a traditional bridge or the `l2fwd` sample application, no MAC address changes are done on the frames. Do not forget to take this into account when configuring a traffic generators and testing this sample application.

INTERNET PROTOCOL (IP) PIPELINE APPLICATION

40.1 Application overview

The *Internet Protocol (IP) Pipeline* application is intended to be a vehicle for rapid development of packet processing applications on multi-core CPUs.

Following OpenFlow and P4 design principles, the application can be used to create functional blocks called pipelines out of input/output ports, tables and actions in a modular way. Multiple pipelines can be inter-connected through packet queues to create complete applications (super-pipelines).

The pipelines are mapped to application threads, with each pipeline executed by a single thread and each thread able to run one or several pipelines. The possibilities of creating pipelines out of ports, tables and actions, connecting multiple pipelines together and mapping the pipelines to execution threads are endless, therefore this application can be seen as a true application generator.

Pipelines are created and managed through Command Line Interface (CLI):

- Any standard TCP client (e.g. telnet, netcat, custom script, etc) is typically able to connect to the application, send commands through the network and wait for the response before pushing the next command.
- **All the application objects are created and managed through CLI commands:**
 - ‘Primitive’ objects used to create pipeline ports: memory pools, links (i.e. network interfaces), SW queues, traffic managers, etc.
 - Action profiles: used to define the actions to be executed by pipeline input/output ports and tables.
 - Pipeline components: input/output ports, tables, pipelines, mapping of pipelines to execution threads.

40.2 Running the application

The application startup command line is:

```
ip_pipeline [EAL_ARGS] -- [-s SCRIPT_FILE] [-h HOST] [-p PORT]
```

The application startup arguments are:

-s SCRIPT_FILE

- Optional: Yes

- Default: Not present
- Argument: Path to the CLI script file to be run at application startup. No CLI script file will run at startup if this argument is not present.

-h HOST

- Optional: Yes
- Default: 0.0.0.0
- Argument: IP Address of the host running ip pipeline application to be used by remote TCP based client (telnet, netcat, etc.) for connection.

-p PORT

- Optional: Yes
- Default: 8086
- Argument: TCP port number at which the ip pipeline is running. This port number should be used by remote TCP client (such as telnet, netcat, etc.) to connect to host application.

Refer to *DPDK Getting Started Guide* for general information on running applications and the Environment Abstraction Layer (EAL) options.

The following is an example command to run ip pipeline application configured for layer 2 forwarding:

```
$ ./build/ip_pipeline -c 0x3 -- -s examples/route_ecmp.cli
```

The application should start successfully and display as follows:

```
EAL: Detected 40 lcore(s)
EAL: Detected 2 NUMA nodes
EAL: Multi-process socket /var/run/.rte_unix
EAL: Probing VFIO support...
EAL: PCI device 0000:02:00.0 on NUMA socket 0
EAL:  probe driver: 8086:10fb net_ixgbe
...
```

To run remote client (e.g. telnet) to communicate with the ip pipeline application:

```
$ telnet 127.0.0.1 8086
```

When running a telnet client as above, command prompt is displayed:

```
Trying 127.0.0.1...
Connected to 127.0.0.1.
Escape character is '^]'.

Welcome to IP Pipeline!

pipeline>
```

Once application and telnet client start running, messages can be sent from client to application. At any stage, telnet client can be terminated using the quit command.

40.3 Application stages

40.3.1 Initialization

During this stage, EAL layer is initialised and application specific arguments are parsed. Furthermore, the data structures (i.e. linked lists) for application objects are initialized. In case of any initialization error, an error message is displayed and the application is terminated.

40.3.2 Run-time

The master thread is creating and managing all the application objects based on CLI input.

Each data plane thread runs one or several pipelines previously assigned to it in round-robin order. Each data plane thread executes two tasks in time-sharing mode:

1. *Packet processing task*: Process bursts of input packets read from the pipeline input ports.
2. *Message handling task*: Periodically, the data plane thread pauses the packet processing task and polls for request messages send by the master thread. Examples: add/remove pipeline to/from current data plane thread, add/delete rules to/from given table of a specific pipeline owned by the current data plane thread, read statistics, etc.

40.4 Examples

Table 40.1: Pipeline examples provided with the application

| Name | Table(s) | Actions | Messages |
|---|--|------------|--|
| L2fwd Note: Implemented using pipeline with a simple pass-through connection between input and output ports. | Stub | Forward | <ol style="list-style-type: none"> 1. Mempool create 2. Link create 3. Pipeline create 4. Pipeline port in/out 5. Pipeline table 6. Pipeline port in table 7. Pipeline enable 8. Pipeline table rule add |
| Flow classification | Exact match <ul style="list-style-type: none"> • Key = byte array (16 bytes) • Offset = 278 • Table size = 64K | Forward | <ol style="list-style-type: none"> 1. Mempool create 2. Link create 3. Pipeline create 4. Pipeline port in/out 5. Pipeline table 6. Pipeline port in table 7. Pipeline enable 8. Pipeline table rule add default 9. Pipeline table rule add |
| KNI | Stub | Forward | <ol style="list-style-type: none"> 1. Mempool create 2. Link create 3. Pipeline create 4. Pipeline port in/out 5. Pipeline table 6. Pipeline port in table 7. Pipeline enable 8. Pipeline table rule add |
| Firewall | ACL <ul style="list-style-type: none"> • Key = n-tuple • Offset = 270 • Table size = 4K | Allow/Drop | <ol style="list-style-type: none"> 1. Mempool create 2. Link create 3. Pipeline create 4. Pipeline port in/out 5. Pipeline table 6. Pipeline port in table |
| 40.4. Examples | | | <ol style="list-style-type: none"> 193 7. Pipeline enable 8. Pipeline table rule add default |

40.5 Command Line Interface (CLI)

40.5.1 Link

Link configuration

```
link <link_name>
  dev <device_name>|port <port_id>
  rxq <n_queues> <queue_size> <mempool_name>
  txq <n_queues> <queue_size> promiscuous on | off
  [rss <qid_0> ... <qid_n>]
```

Note: The PCI device name must be specified in the Domain:Bus:Device.Function format.

40.5.2 Mempool

Mempool create

```
mempool <mempool_name> buffer <buffer_size>
pool <pool_size> cache <cache_size> cpu <cpu_id>
```

40.5.3 Software queue

Create software queue

```
swq <swq_name> size <size> cpu <cpu_id>
```

40.5.4 Traffic manager

Add traffic manager subport profile

```
tmgr subport profile
  <tb_rate> <tb_size>
  <tc0_rate> <tc1_rate> <tc2_rate> <tc3_rate>
  <tc_period>
```

Add traffic manager pipe profile

```
tmgr pipe profile
  <tb_rate> <tb_size>
  <tc0_rate> <tc1_rate> <tc2_rate> <tc3_rate>
  <tc_period>
  <tc_ov_weight> <wrr_weight0..15>
```

Create traffic manager port

```
tmgr <tmgr_name>
  rate <rate>
  spp <n_subports_per_port>
  pps <n_pipes_per_subport>
  qsize <qsize_tc0>
  <qsize_tc1> <qsize_tc2> <qsize_tc3>
  fo <frame_overhead> mtu <mtu> cpu <cpu_id>
```

Configure traffic manager subport

```
tmgr <tmgr_name>
  subport <subport_id>
  profile <subport_profile_id>
```

Configure traffic manager pipe

```
tmgr <tmgr_name>
  subport <subport_id>
  pipe from <pipe_id_first> to <pipe_id_last>
  profile <pipe_profile_id>
```

40.5.5 Tap

Create tap port

```
tap <name>
```

40.5.6 Kni

Create kni port

```
kni <kni_name>
  link <link_name>
  mempool <mempool_name>
  [thread <thread_id>]
```

40.5.7 Cryptodev

Create cryptodev port

```
cryptodev <cryptodev_name>
  dev <DPDK Cryptodev PMD name>
  queue <n_queues> <queue_size>
```

40.5.8 Action profile

Create action profile for pipeline input port

```
port in action profile <profile_name>
  [filter match | mismatch offset <key_offset> mask <key_mask> key <key_value> port <port_id>]
  [balance offset <key_offset> mask <key_mask> port <port_id0> ... <port_id15>]
```

Create action profile for the pipeline table

```
table action profile <profile_name>
  ipv4 | ipv6
  offset <ip_offset>
  fwd
  [balance offset <key_offset> mask <key_mask> outoffset <out_offset>]
  [meter srtcm | trtcm
    tc <n_tc>
    stats none | pkts | bytes | both]
  [tm spp <n_subports_per_port> pps <n_pipes_per_subport>]
  [encap ether | vlan | qinq | mpls | pppoe]
  [nat src | dst
    proto udp | tcp]
  [ttl drop | fwd
    stats none | pkts]
  [stats pkts | bytes | both]
```

```
[sym_crypto cryptodev <cryptodev_name>
  mempool_create <mempool_name> mempool_init <mempool_name>]
[time]
```

40.5.9 Pipeline

Create pipeline

```
pipeline <pipeline_name>
  period <timer_period_ms>
  offset_port_id <offset_port_id>
  cpu <cpu_id>
```

Create pipeline input port

```
pipeline <pipeline_name> port in
  bsz <burst_size>
  link <link_name> rxq <queue_id>
  | swq <swq_name>
  | tmgr <tmgr_name>
  | tap <tap_name> mempool <mempool_name> mtu <mtu>
  | kni <kni_name>
  | source mempool <mempool_name> file <file_name> bpp <n_bytes_per_pkt>
[action <port_in_action_profile_name>]
[disabled]
```

Create pipeline output port

```
pipeline <pipeline_name> port out
  bsz <burst_size>
  link <link_name> txq <txq_id>
  | swq <swq_name>
  | tmgr <tmgr_name>
  | tap <tap_name>
  | kni <kni_name>
  | sink [file <file_name> pkts <max_n_pkts>]
```

Create pipeline table

```
pipeline <pipeline_name> table
  match
  acl
    ipv4 | ipv6
    offset <ip_header_offset>
    size <n_rules>
  | array
    offset <key_offset>
    size <n_keys>
  | hash
    ext | lru
    key <key_size>
    mask <key_mask>
    offset <key_offset>
    buckets <n_buckets>
    size <n_keys>
  | lpm
    ipv4 | ipv6
    offset <ip_header_offset>
    size <n_rules>
  | stub
[action <table_action_profile_name>]
```

Connect pipeline input port to table

```
pipeline <pipeline_name> port in <port_id> table <table_id>
```

Display statistics for specific pipeline input port, output port or table

```
pipeline <pipeline_name> port in <port_id> stats read [clear]
pipeline <pipeline_name> port out <port_id> stats read [clear]
pipeline <pipeline_name> table <table_id> stats read [clear]
```

Enable given input port for specific pipeline instance

```
pipeline <pipeline_name> port out <port_id> disable
```

Disable given input port for specific pipeline instance

```
pipeline <pipeline_name> port out <port_id> disable
```

Add default rule to table for specific pipeline instance

```
pipeline <pipeline_name> table <table_id> rule add
  match
    default
  action
    fwd
    drop
    | port <port_id>
    | meta
    | table <table_id>
```

Add rule to table for specific pipeline instance

```
pipeline <pipeline_name> table <table_id> rule add

match
  acl
    priority <priority>
    ipv4 | ipv6 <sa> <sa_depth> <da> <da_depth>
    <sp0> <sp1> <dp0> <dp1> <proto>
  | array <pos>
  | hash
    raw <key>
    | ipv4_5tuple <sa> <da> <sp> <dp> <proto>
    | ipv6_5tuple <sa> <da> <sp> <dp> <proto>
    | ipv4_addr <addr>
    | ipv6_addr <addr>
    | qinq <svlan> <cvlan>
  | lpm
    ipv4 | ipv6 <addr> <depth>

action
  fwd
    drop
    | port <port_id>
    | meta
    | table <table_id>
  [balance <out0> ... <out7>]
  [meter
    tc0 meter <meter_profile_id> policer g <pa> y <pa> r <pa>
    [tc1 meter <meter_profile_id> policer g <pa> y <pa> r <pa>
    tc2 meter <meter_profile_id> policer g <pa> y <pa> r <pa>
    tc3 meter <meter_profile_id> policer g <pa> y <pa> r <pa>]]
  [tm subport <subport_id> pipe <pipe_id>]
  [encap
    ether <da> <sa>
    | vlan <da> <sa> <pcp> <dei> <vid>
    | qinq <da> <sa> <pcp> <dei> <vid> <pcp> <dei> <vid>
    | mpls unicast | multicast
```

```

    <da> <sa>
    label0 <label> <tc> <ttl>
    [label1 <label> <tc> <ttl>
    [label2 <label> <tc> <ttl>
    [label3 <label> <tc> <ttl>]]]
  | pppoe <da> <sa> <session_id>]
[nat ipv4 | ipv6 <addr> <port>]
[ttl dec | keep]
[stats]
[time]
[sym_crypto
  encrypt | decrypt
  type
  | cipher
    cipher_algo <algo> cipher_key <key> cipher_iv <iv>
  | cipher_auth
    cipher_algo <algo> cipher_key <key> cipher_iv <iv>
    auth_algo <algo> auth_key <key> digest_size <size>
  | aead
    aead_algo <algo> aead_key <key> aead_iv <iv> aead_aad <aad>
    digest_size <size>
  data_offset <data_offset>]

```

where:

```
<pa> ::= g | y | r | drop
```

Add bulk rules to table for specific pipeline instance

```
pipeline <pipeline_name> table <table_id> rule add bulk <file_name> <n_rules>
```

Where:

- file_name = path to file
- File line format = match <match> action <action>

Delete table rule for specific pipeline instance

```
pipeline <pipeline_name> table <table_id> rule delete
match <match>
```

Delete default table rule for specific pipeline instance

```
pipeline <pipeline_name> table <table_id> rule delete
match
  default
```

Add meter profile to the table for specific pipeline instance

```
pipeline <pipeline_name> table <table_id> meter profile <meter_profile_id>
add srtcm cir <cir> cbs <cbs> ebs <ebs>
| trtcm cir <cir> pir <pir> cbs <cbs> pbs <pbs>
```

Delete meter profile from the table for specific pipeline instance

```
pipeline <pipeline_name> table <table_id>
meter profile <meter_profile_id> delete
```

Update the dscp table for meter or traffic manager action for specific pipeline instance

```
pipeline <pipeline_name> table <table_id> dscp <file_name>
```

Where:

- file_name = path to file
- exactly 64 lines
- File line format = <tc_id> <tc_queue_id> <color>, with <color> as: g | y | r

40.5.10 Pipeline enable/disable

Enable given pipeline instance for specific data plane thread

```
thread <thread_id> pipeline <pipeline_name> enable
```

Disable given pipeline instance for specific data plane thread

```
thread <thread_id> pipeline <pipeline_name> disable
```

TEST PIPELINE APPLICATION

The Test Pipeline application illustrates the use of the DPDK Packet Framework tool suite. Its purpose is to demonstrate the performance of single-table DPDK pipelines.

41.1 Overview

The application uses three CPU cores:

- Core A (“RX core”) receives traffic from the NIC ports and feeds core B with traffic through SW queues.
- Core B (“Pipeline core”) implements a single-table DPDK pipeline whose type is selectable through specific command line parameter. Core B receives traffic from core A through software queues, processes it according to the actions configured in the table entries that are hit by the input packets and feeds it to core C through another set of software queues.
- Core C (“TX core”) receives traffic from core B through software queues and sends it to the NIC ports for transmission.

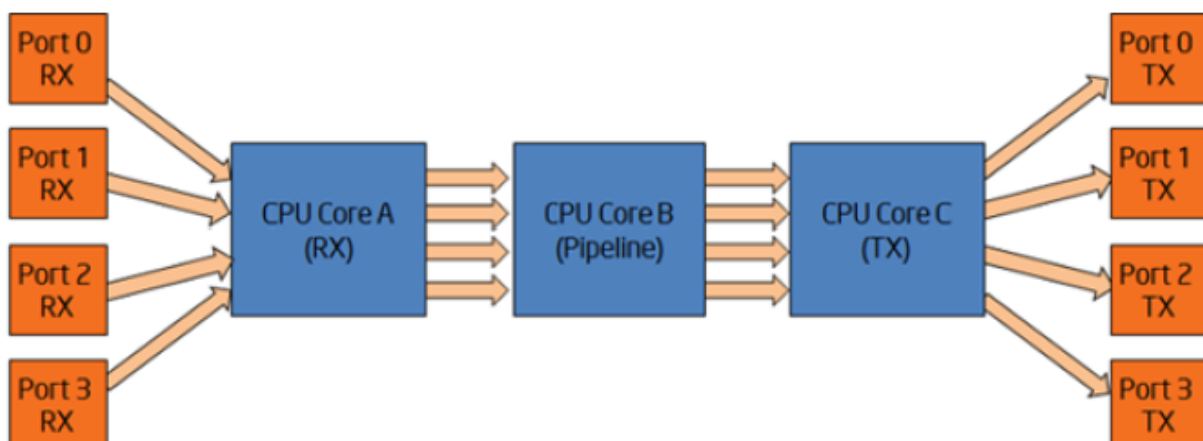


Fig. 41.1: Test Pipeline Application

41.2 Compiling the Application

To compile the sample application see [Compiling the Sample Applications](#)

The application is located in the `$RTE_SDK/app/test-pipeline` directory.

41.3 Running the Application

41.3.1 Application Command Line

The application execution command line is:

```
./test-pipeline [EAL options] -- -p PORTMASK --TABLE_TYPE
```

The `-c` or `-l` EAL CPU coremask/corelist option has to contain exactly 3 CPU cores. The first CPU core in the core mask is assigned for core A, the second for core B and the third for core C.

The PORTMASK parameter must contain 2 or 4 ports.

41.3.2 Table Types and Behavior

Table 41.1 describes the table types used and how they are populated.

The hash tables are pre-populated with 16 million keys. For hash tables, the following parameters can be selected:

- **Configurable key size implementation or fixed (specialized) key size implementation (e.g. hash-8-ext or hash-spec-8-ext).** The key size specialized implementations are expected to provide better performance for 8-byte and 16-byte key sizes, while the key-size-non-specialized implementation is expected to provide better performance for larger key sizes;
- **Key size (e.g. hash-spec-8-ext or hash-spec-16-ext).** The available options are 8, 16 and 32 bytes;
- **Table type (e.g. hash-spec-16-ext or hash-spec-16-lru).** The available options are ext (extendable bucket) or lru (least recently used).

Table 41.1: Table Types

| # | TABLE_TYPE | Description of Core B Table | Pre-added Table Entries |
|--------------------------------------|--------------------|---|---|
| 1 | none | Core B is not implementing a DPDK pipeline. Core B is implementing a pass-through from its input set of software queues to its output set of software queues. | N/A |
| 2 | stub | Stub table. Core B is implementing the same pass-through functionality as described for the “none” option by using the DPDK Packet Framework by using one stub table for each input NIC port. | N/A |
| 3 | hash-[spec]-8-lru | LRU hash table with 8-byte key size and 16 million entries. | 16 million entries are successfully added to the hash table with the following key format: [4-byte index, 4 bytes of 0] The action configured for all table entries is “Send to output port”, with the output port index uniformly distributed for the range of output ports. The default table rule (used in the case of a lookup miss) is to drop the packet. At run time, core A is creating the following lookup key and storing it into the packet meta data for core B to use for table lookup: [destination IPv4 address, 4 bytes of 0] |
| 4 | hash-[spec]-8-ext | Extendable bucket hash table with 8-byte key size and 16 million entries. | Same as hash-[spec]-8-lru table entries, above. |
| 5 | hash-[spec]-16-lru | LRU hash table with 16-byte key size and 16 million entries. | 16 million entries are successfully added to the hash table with the following key format: [4-byte index, 12 bytes of 0] The action configured for all table entries is “Send to output port”, with the output port index uniformly distributed for the range of output ports. The default table rule (used in the case of a lookup miss) is to drop the packet. At run time, core A is creating the following lookup key and storing it into the packet meta data for core B to use for table lookup: [destination IPv4 address, 12 bytes of 0] |
| 41.3. Running the Application | | | |
| 6 | hash-[spec]-16-ext | Extendable bucket hash table with 16-byte key size and 16 million entries. | Same as hash-[spec]-16-lru table entries, above. |

41.3.3 Input Traffic

Regardless of the table type used for the core B pipeline, the same input traffic can be used to hit all table entries with uniform distribution, which results in uniform distribution of packets sent out on the set of output NIC ports. The profile for input traffic is TCP/IPv4 packets with:

- destination IP address as A.B.C.D with A fixed to 0 and B, C,D random
- source IP address fixed to 0.0.0.0
- destination TCP port fixed to 0
- source TCP port fixed to 0

EVENTDEV PIPELINE SAMPLE APPLICATION

The eventdev pipeline sample application is a sample app that demonstrates the usage of the eventdev API using the software PMD. It shows how an application can configure a pipeline and assign a set of worker cores to perform the processing required.

The application has a range of command line arguments allowing it to be configured for various numbers worker cores, stages, queue depths and cycles per stage of work. This is useful for performance testing as well as quickly testing a particular pipeline configuration.

42.1 Compiling the Application

To compile the sample application see [Compiling the Sample Applications](#).

The application is located in the `examples` sub-directory.

42.2 Running the Application

The application has a lot of command line options. This allows specification of the eventdev PMD to use, and a number of attributes of the processing pipeline options.

An example eventdev pipeline running with the software eventdev PMD using these settings is shown below:

- `-r1`: core mask 0x1 for RX
- `-t1`: core mask 0x1 for TX
- `-e4`: core mask 0x4 for the software scheduler
- `-w FF00`: core mask for worker cores, 8 cores from 8th to 16th
- `-s4`: 4 atomic stages
- `-n0`: process infinite packets (run forever)
- `-c32`: worker dequeue depth of 32
- `-W1000`: do 1000 cycles of work per packet in each stage
- `-D`: dump statistics on exit

```
./build/eventdev_pipeline --vdev event_sw0 -- -r1 -t1 -e4 -w FF00 -s4 -n0 -c32 -W1000 -D
```

The application has some sanity checking built-in, so if there is a function (e.g.; the RX core) which doesn't have a cpu core mask assigned, the application will print an error message:

```
Core part of pipeline was not assigned any cores. This will stall the
pipeline, please check core masks (use -h for details on setting core masks):
    rx: 0
    tx: 1
```

Configuration of the eventdev is covered in detail in the programmers guide, see the Event Device Library section.

42.3 Observing the Application

At runtime the eventdev pipeline application prints out a summary of the configuration, and some runtime statistics like packets per second. On exit the worker statistics are printed, along with a full dump of the PMD statistics if required. The following sections show sample output for each of the output types.

42.3.1 Configuration

This provides an overview of the pipeline, scheduling type at each stage, and parameters to options such as how many flows to use and what eventdev PMD is in use. See the following sample output for details:

```
Config:
  ports: 2
  workers: 8
  packets: 0
  priorities: 1
  Queue-prio: 0
  qid0 type: atomic
  Cores available: 44
  Cores used: 10
  Eventdev 0: event_sw
Stages:
  Stage 0, Type Atomic   Priority = 128
  Stage 1, Type Atomic   Priority = 128
  Stage 2, Type Atomic   Priority = 128
  Stage 3, Type Atomic   Priority = 128
```

42.3.2 Runtime

At runtime, the statistics of the consumer are printed, stating the number of packets received, runtime in milliseconds, average mpps, and current mpps.

```
# consumer RX= xxxxxxxx, time yyyy ms, avg z.zzz mpps [current w.www mpps]
```

42.3.3 Shutdown

At shutdown, the application prints the number of packets received and transmitted, and an overview of the distribution of work across worker cores.

```
Signal 2 received, preparing to exit...
worker 12 thread done. RX=4966581 TX=4966581
worker 13 thread done. RX=4963329 TX=4963329
worker 14 thread done. RX=4953614 TX=4953614
worker 0 thread done. RX=0 TX=0
worker 11 thread done. RX=4970549 TX=4970549
```

```
worker 10 thread done. RX=4986391 TX=4986391
worker 9 thread done. RX=4970528 TX=4970528
worker 15 thread done. RX=4974087 TX=4974087
worker 8 thread done. RX=4979908 TX=4979908
worker 2 thread done. RX=0 TX=0
```

Port Workload distribution:

```
worker 0 :      12.5 % (4979876 pkts)
worker 1 :      12.5 % (4970497 pkts)
worker 2 :      12.5 % (4986359 pkts)
worker 3 :      12.5 % (4970517 pkts)
worker 4 :      12.5 % (4966566 pkts)
worker 5 :      12.5 % (4963297 pkts)
worker 6 :      12.5 % (4953598 pkts)
worker 7 :      12.5 % (4974055 pkts)
```

To get a full dump of the state of the eventdev PMD, pass the `-D` flag to this application. When the app is terminated using `Ctrl+C`, the `rte_event_dev_dump()` function is called, resulting in a dump of the statistics that the PMD provides. The statistics provided depend on the PMD used, see the Event Device Drivers section for a list of eventdev PMDs.

DISTRIBUTOR SAMPLE APPLICATION

The distributor sample application is a simple example of packet distribution to cores using the Data Plane Development Kit (DPDK). It also makes use of Intel Speed Select Technology - Base Frequency (Intel SST-BF) to pin the distributor to the higher frequency core if available.

43.1 Overview

The distributor application performs the distribution of packets that are received on an RX_PORT to different cores. When processed by the cores, the destination port of a packet is the port from the enabled port mask adjacent to the one on which the packet was received, that is, if the first four ports are enabled (port mask 0xf), ports 0 and 1 RX/TX into each other, and ports 2 and 3 RX/TX into each other.

This application can be used to benchmark performance using the traffic generator as shown in the figure below.

43.2 Compiling the Application

To compile the sample application see [Compiling the Sample Applications](#).

The application is located in the `distributor` sub-directory.

43.3 Running the Application

1. The application has a number of command line options:

```
./build/distributor_app [EAL options] -- -p PORTMASK
```

where,

- -p PORTMASK: Hexadecimal bitmask of ports to configure

2. To run the application in linux environment with 10 lcores, 4 ports, issue the command:

```
$ ./build/distributor_app -l 1-9,22 -n 4 -- -p f
```

3. Refer to the DPDK Getting Started Guide for general information on running applications and the Environment Abstraction Layer (EAL) options.

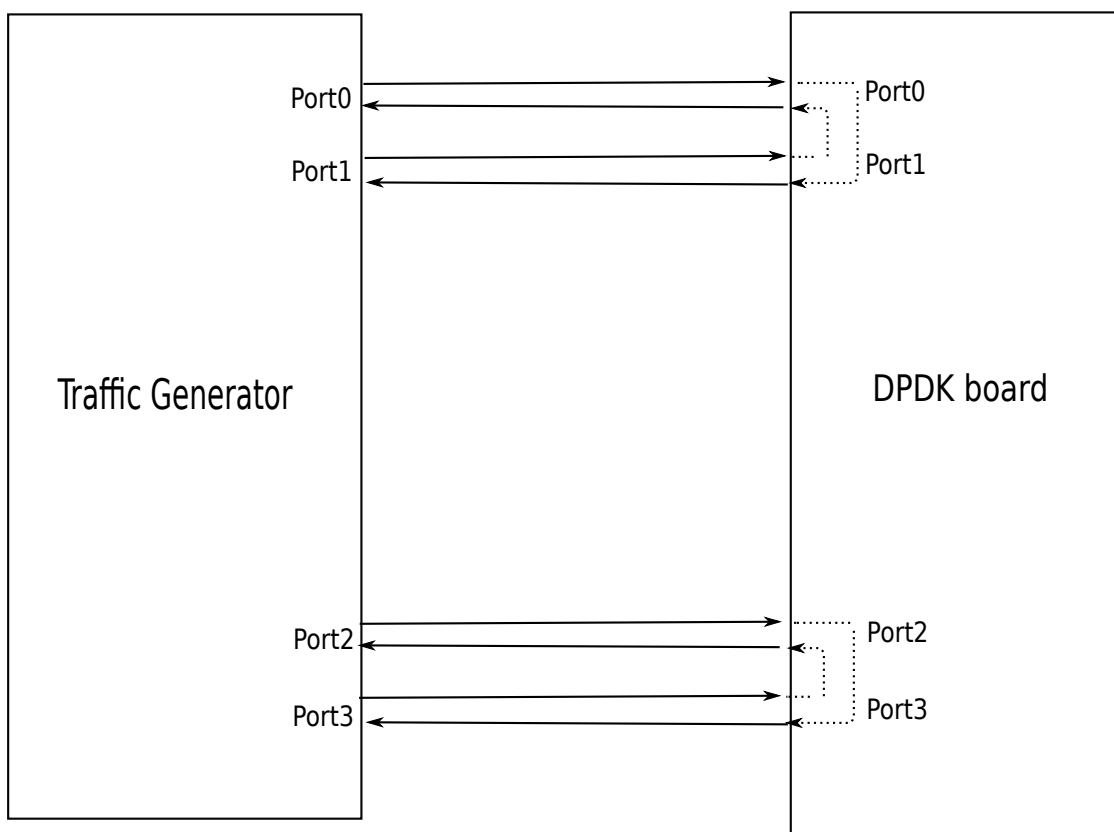


Fig. 43.1: Performance Benchmarking Setup (Basic Environment)

43.4 Explanation

The distributor application consists of four types of threads: a receive thread (`lcore_rx()`), a distributor thread (`lcore_dist()`), a set of worker threads (`lcore_worker()`), and a transmit thread (`lcore_tx()`). How these threads work together is shown in Fig. 43.2 below. The `main()` function launches threads of these four types. Each thread has a while loop which will be doing processing and which is terminated only upon SIGINT or ctrl+C.

The receive thread receives the packets using `rte_eth_rx_burst()` and will enqueue them to an `rte_ring`. The distributor thread will dequeue the packets from the ring and assign them to workers (using `rte_distributor_process()` API). This assignment is based on the tag (or flow ID) of the packet - indicated by the hash field in the mbuf. For IP traffic, this field is automatically filled by the NIC with the "usr" hash value for the packet, which works as a per-flow tag. The distributor thread communicates with the worker threads using a cache-line swapping mechanism, passing up to 8 mbuf pointers at a time (one cache line) to each worker.

More than one worker thread can exist as part of the application, and these worker threads do simple packet processing by requesting packets from the distributor, doing a simple XOR operation on the input port mbuf field (to indicate the output port which will be used later for packet transmission) and then finally returning the packets back to the distributor thread.

The distributor thread will then call the distributor api `rte_distributor_returned_pkts()` to get the processed packets, and will enqueue them to another `rte_ring` for transfer to the TX thread for transmission on the output port. The transmit thread will dequeue the packets from the ring and transmit them on the output port specified in packet mbuf.

Users who wish to terminate the running of the application have to press ctrl+C (or send SIG-INT to the app). Upon this signal, a signal handler provided in the application will terminate all running threads gracefully and print final statistics to the user.

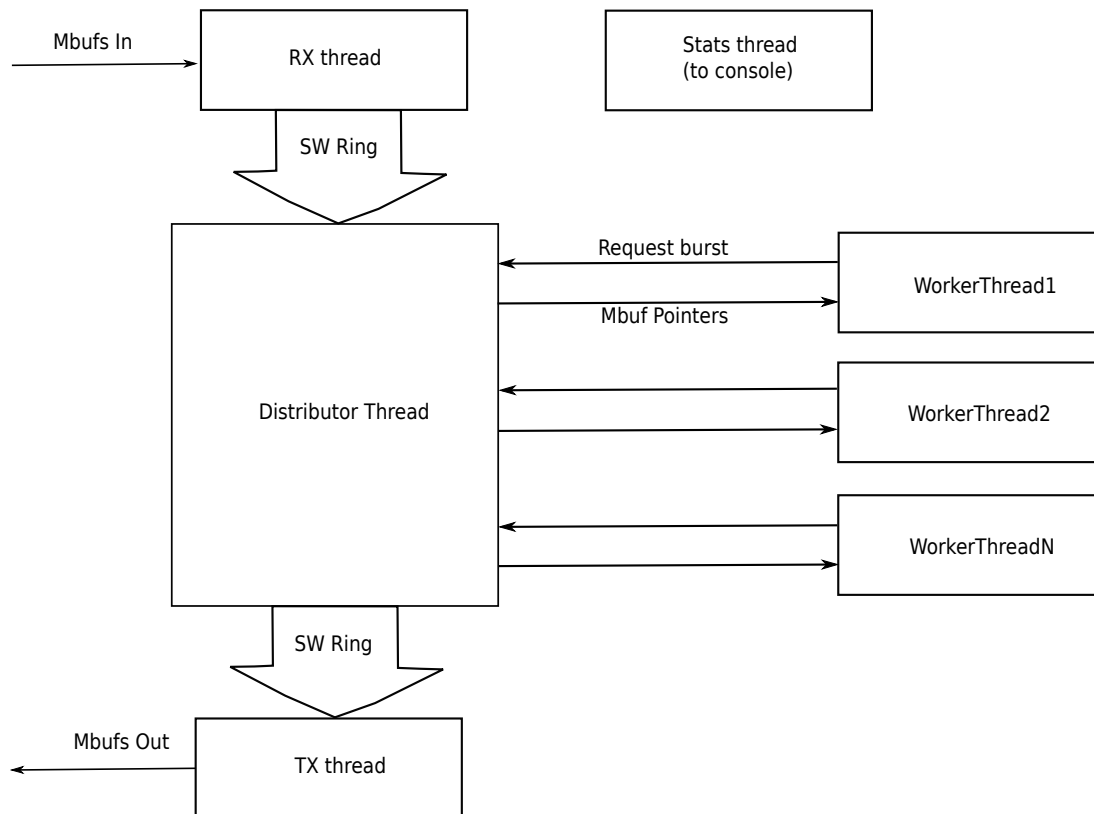


Fig. 43.2: Distributor Sample Application Layout

43.5 Intel SST-BF Support

In DPDK 19.05, support was added to the power management library for Intel-SST-BF, a technology that allows some cores to run at a higher frequency than others. An application note for Intel SST-BF is available, and is entitled [Intel Speed Select Technology – Base Frequency - Enhancing Performance](#)

The distributor application was also enhanced to be aware of these higher frequency SST-BF cores, and when starting the application, if high frequency SST-BF cores are present in the core mask, the application will identify these cores and pin the workloads appropriately. The distributor core is usually the bottleneck, so this is given first choice of the high frequency SST-BF cores, followed by the rx core and the tx core.

43.6 Debug Logging Support

Debug logging is provided as part of the application; the user needs to uncomment the line “#define DEBUG” defined in start of the application in main.c to enable debug logs.

43.7 Statistics

The main function will print statistics on the console every second. These statistics include the number of packets enqueued and dequeued at each stage in the application, and also key statistics per worker, including how many packets of each burst size (1-8) were sent to each worker thread.

43.8 Application Initialization

Command line parsing is done in the same way as it is done in the L2 Forwarding Sample Application. See [Command Line Arguments](#).

Mbuf pool initialization is done in the same way as it is done in the L2 Forwarding Sample Application. See [Mbuf Pool Initialization](#).

Driver Initialization is done in same way as it is done in the L2 Forwarding Sample Application. See [Driver Initialization](#).

RX queue initialization is done in the same way as it is done in the L2 Forwarding Sample Application. See [RX Queue Initialization](#).

TX queue initialization is done in the same way as it is done in the L2 Forwarding Sample Application. See [TX Queue Initialization](#).

VM POWER MANAGEMENT APPLICATION

44.1 Introduction

Applications running in Virtual Environments have an abstract view of the underlying hardware on the Host, in particular applications cannot see the binding of virtual to physical hardware. When looking at CPU resourcing, the pinning of Virtual CPUs(vCPUs) to Host Physical CPUs(pCPUS) is not apparent to an application and this pinning may change over time. Furthermore, Operating Systems on virtual machines do not have the ability to govern their own power policy; the Machine Specific Registers (MSRs) for enabling P-State transitions are not exposed to Operating Systems running on Virtual Machines(VMs).

The Virtual Machine Power Management solution shows an example of how a DPDK application can indicate its processing requirements using VM local only information(vCPU/lcore, etc.) to a Host based Monitor which is responsible for accepting requests for frequency changes for a vCPU, translating the vCPU to a pCPU via libvirt and affecting the change in frequency.

The solution is comprised of two high-level components:

1. Example Host Application

Using a Command Line Interface(CLI) for VM->Host communication channel management allows adding channels to the Monitor, setting and querying the vCPU to pCPU pinning, inspecting and manually changing the frequency for each CPU. The CLI runs on a single lcore while the thread responsible for managing VM requests runs on a second lcore.

VM requests arriving on a channel for frequency changes are passed to the librt_e_power ACPI cpufreq sysfs based library. The Host Application relies on both qemu-kvm and libvirt to function.

This monitoring application is responsible for:

- Accepting requests from client applications: Client applications can request frequency changes for a vCPU, translating the vCPU to a pCPU via libvirt and affecting the change in frequency.
- Accepting policies from client applications: Client application can send a policy to the host application. The host application will then apply the rules of the policy independent of the application. For example, the policy can contain time-of-day information for busy/quiet periods, and the host application can scale up/down the relevant cores when required. See the details of the guest application below for more information on setting the policy values.

- Out-of-band monitoring of workloads via cores hardware event counters: The host application can manage power for an application in a virtualised OR non-virtualised environment by looking at the event counters of the cores and taking action based on the branch hit/miss ratio. See the host application ‘-core-list’ command line parameter below.

2. librte_power for Virtual Machines

Using an alternate implementation for the librte_power API, requests for frequency changes are forwarded to the host monitor rather than the APCI cpufreq sysfs interface used on the host.

The l3fwd-power application will use this implementation when deployed on a VM (see L3 Forwarding with Power Management Sample Application).

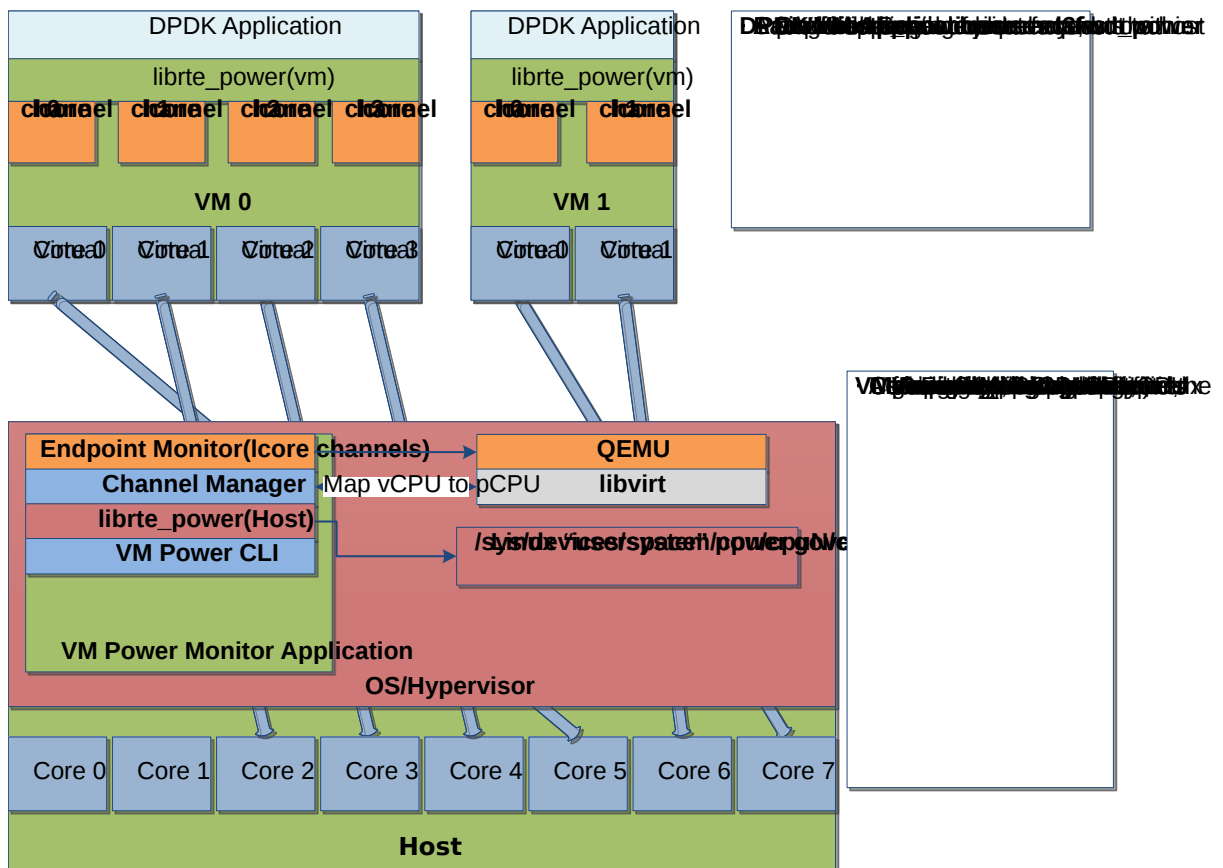


Fig. 44.1: Highlevel Solution

44.2 Overview

VM Power Management employs qemu-kvm to provide communications channels between the host and VMs in the form of Virtio-Serial which appears as a paravirtualized serial device on a VM and can be configured to use various backends on the host. For this example each Virtio-Serial endpoint on the host is configured as AF_UNIX file socket, supporting poll/select and epoll for event notification. In this example each channel endpoint on the host is monitored via epoll for EPOLLIN events. Each channel is specified as qemu-kvm arguments or as libvirt XML for each VM, where each VM can have a number of channels up to a maximum of 64 per VM, in this example each DDPK lcore on a VM has exclusive access to a channel.

To enable frequency changes from within a VM, a request via the `librte_power` interface is forwarded via `Virtio-Serial` to the host, each request contains the vCPU and power command (scale up/down/min/max). The API for host and guest `librte_power` is consistent across environments, with the selection of VM or Host Implementation determined automatically at runtime based on the environment.

Upon receiving a request, the host translates the vCPU to a pCPU via the `libvirt` API before forwarding to the host `librte_power`.

Sequence

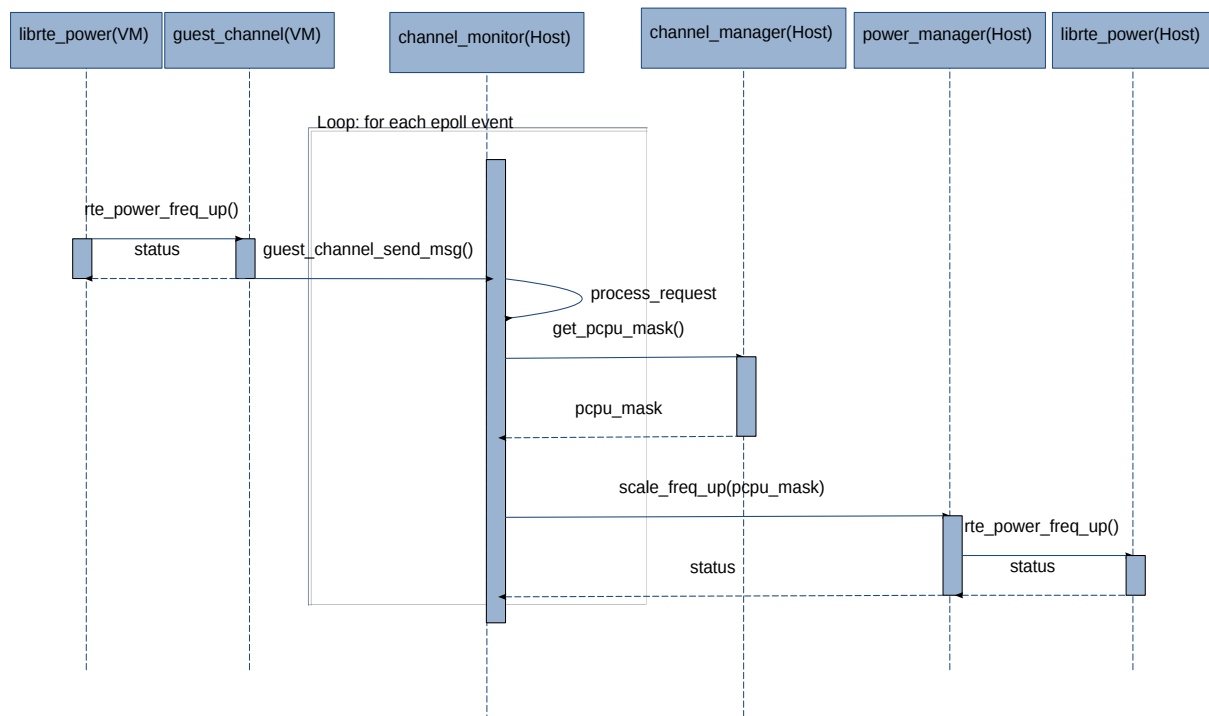


Fig. 44.2: VM request to scale frequency

44.2.1 Performance Considerations

While Haswell Microarchitecture allows for independent power control for each core, earlier Microarchitectures do not offer such fine grained control. When deployed on pre-Haswell platforms greater care must be taken in selecting which cores are assigned to a VM, for instance a core will not scale down until its sibling is similarly scaled.

44.3 Configuration

44.3.1 BIOS

Enhanced Intel SpeedStep® Technology must be enabled in the platform BIOS if the power management feature of DPDK is to be used. Otherwise, the `sys` file folder

`/sys/devices/system/cpu/cpu0/cpufreq` will not exist, and the CPU frequency-based power management cannot be used. Consult the relevant BIOS documentation to determine how these settings can be accessed.

44.3.2 Host Operating System

The DPDK Power Library can use either the `acpi_cpufreq` or `intel_pstate` kernel driver for the management of core frequencies. In many cases the `intel_pstate` driver is the default Power Management environment.

Should the `acpi_cpufreq` driver be required, the `intel_pstate` module must be disabled, and `acpi_cpufreq` module loaded in its place.

To disable `intel_pstate` driver, add the following to the grub Linux command line:

```
intel_pstate=disable
```

Upon rebooting, load the `acpi_cpufreq` module:

```
modprobe acpi_cpufreq
```

44.3.3 Hypervisor Channel Configuration

Virtio-Serial channels are configured via libvirt XML:

```
<name>{vm_name}</name>
<controller type='virtio-serial' index='0'>
  <address type='pci' domain='0x0000' bus='0x00' slot='0x06' function='0x0' />
</controller>
<channel type='unix'>
  <source mode='bind' path='/tmp/powermonitor/{vm_name}.{channel_num}' />
  <target type='virtio' name='virtio.serial.port.poweragent.{vm_channel_num}' />
  <address type='virtio-serial' controller='0' bus='0' port='{N}' />
</channel>
```

Where a single controller of type `virtio-serial` is created and up to 32 channels can be associated with a single controller and multiple controllers can be specified. The convention is to use the name of the VM in the host path `{vm_name}` and to increment `{channel_num}` for each channel, likewise the port value `{N}` must be incremented for each channel.

Each channel on the host will appear in `path`, the directory `/tmp/powermonitor/` must first be created and given qemu permissions

```
mkdir /tmp/powermonitor/
chown qemu:qemu /tmp/powermonitor
```

Note that files and directories within `/tmp` are generally removed upon rebooting the host and the above steps may need to be carried out after each reboot.

The serial device as it appears on a VM is configured with the `target` element attribute `name` and must be in the form of `virtio.serial.port.poweragent.{vm_channel_num}`, where `vm_channel_num` is typically the lcore channel to be used in DPDK VM applications.

Each channel on a VM will be present at `/dev/virtio-ports/virtio.serial.port.poweragent.{vm_channel_num}`

44.4 Compiling and Running the Host Application

44.4.1 Compiling

For information on compiling DPDK and the sample applications see [Compiling the Sample Applications](#).

The application is located in the `vm_power_manager` sub-directory.

To build just the `vm_power_manager` application using `make`:

```
export RTE_SDK=/path/to/rte_sdk
export RTE_TARGET=build
cd ${RTE_SDK}/examples/vm_power_manager/
make
```

The resulting binary will be `${RTE_SDK}/build/examples/vm_power_manager`

To build just the `vm_power_manager` application using `meson/ninja`:

```
export RTE_SDK=/path/to/rte_sdk
cd ${RTE_SDK}
meson build
cd build
ninja
meson configure -Dexamples=vm_power_manager
ninja
```

The resulting binary will be `${RTE_SDK}/build/examples/dpdk-vm_power_manager`

44.4.2 Running

The application does not have any specific command line options other than `EAL`:

```
./build/vm_power_mgr [EAL options]
```

The application requires exactly two cores to run, one core is dedicated to the CLI, while the other is dedicated to the channel endpoint monitor, for example to run on cores 0 & 1 on a system with 4 memory channels:

```
./build/vm_power_mgr -l 0-1 -n 4
```

After successful initialization the user is presented with VM Power Manager CLI:

```
vm_power>
```

Virtual Machines can now be added to the VM Power Manager:

```
vm_power> add_vm {vm_name}
```

When a `{vm_name}` is specified with the `add_vm` command a lookup is performed with `libvirt` to ensure that the VM exists, `{vm_name}` is used as a unique identifier to associate channels with a particular VM and for executing operations on a VM within the CLI. VMs do not have to be running in order to add them.

A number of commands can be issued via the CLI in relation to VMs:

Remove a Virtual Machine identified by `{vm_name}` from the VM Power Manager.

```
rm_vm {vm_name}
```

Add communication channels for the specified VM, the virtio channels must be enabled in the VM configuration(qemu/libvirt) and the associated VM must be active. {list} is a comma-separated list of channel numbers to add, using the keyword 'all' will attempt to add all channels for the VM:

```
add_channels {vm_name} {list}|all
```

Enable or disable the communication channels in {list}(comma-separated) for the specified VM, alternatively list can be replaced with keyword 'all'. Disabled channels will still receive packets on the host, however the commands they specify will be ignored. Set status to 'enabled' to begin processing requests again:

```
set_channel_status {vm_name} {list}|all enabled|disabled
```

Print to the CLI the information on the specified VM, the information lists the number of vCPUS, the pinning to pCPU(s) as a bit mask, along with any communication channels associated with each VM, along with the status of each channel:

```
show_vm {vm_name}
```

Set the binding of Virtual CPU on VM with name {vm_name} to the Physical CPU mask:

```
set_pcpu_mask {vm_name} {vcpu} {pcpu}
```

Set the binding of Virtual CPU on VM to the Physical CPU:

```
set_pcpu {vm_name} {vcpu} {pcpu}
```

Manual control and inspection can also be carried in relation CPU frequency scaling:

Get the current frequency for each core specified in the mask:

```
show_cpu_freq_mask {mask}
```

Set the current frequency for the cores specified in {core_mask} by scaling each up/down/min/max:

```
set_cpu_freq {core_mask} up|down|min|max
```

Get the current frequency for the specified core:

```
show_cpu_freq {core_num}
```

Set the current frequency for the specified core by scaling up/down/min/max:

```
set_cpu_freq {core_num} up|down|min|max
```

There are also some command line parameters for enabling the out-of-band monitoring of branch ratio on cores doing busy polling via PMDs.

```
--core-list {list of cores}
```

When this parameter is used, the list of cores specified will monitor the ratio between branch hits and branch misses. A tightly polling PMD thread will have a very low branch ratio, so the core frequency will be scaled down to the minimum allowed value. When packets are received, the code path will alter, causing the branch ratio to increase. When the ratio goes above the ratio threshold, the core frequency will be scaled up to the maximum allowed value.

```
--branch-ratio {ratio}
```

The branch ratio is a floating point number that specifies the threshold at which to scale up or down for the given workload. The default branch ratio is 0.01, and will need to be adjusted for different workloads.

44.4.3 JSON API

In addition to the command line interface for host command and a virtio-serial interface for VM power policies, there is also a JSON interface through which power commands and policies can be sent. This functionality adds a dependency on the Jansson library, and the Jansson development package must be installed on the system before the JSON parsing functionality is included in the app. This is achieved by:

```
apt-get install libjansson-dev
```

The command and package name may be different depending on your operating system. It's worth noting that the app will successfully build without this package present, but a warning is shown during compilation, and the JSON parsing functionality will not be present in the app.

Sending a command or policy to the power manager application is achieved by simply opening a fifo file, writing a JSON string to that fifo, and closing the file.

The fifo is at `/tmp/powermonitor/fifo`

The JSON string can be a policy or instruction, and takes the following format:

```
{ "packet_type": {
  "pair_1": value,
  "pair_2": value
}}
```

The 'packet_type' header can contain one of two values, depending on whether a policy or power command is being sent. The two possible values are "policy" and "instruction", and the expected name-value pairs is different depending on which type is being sent.

The pairs are the format of standard JSON name-value pairs. The value type varies between the different name/value pairs, and may be integers, strings, arrays, etc. Examples of policies follow later in this document. The allowed names and value types are as follows:

Pair Name "name"

Description Name of the VM or Host. Allows the parser to associate the policy with the relevant VM or Host OS.

Type string

Values any valid string

Required yes

Example

```
"name", "ubuntu2"
```

Pair Name "command"

Description The type of packet we're sending to the power manager. We can be creating or destroying a policy, or sending a direct command to adjust the frequency of a core, similar to the command line interface.

Type string

Values

CREATE used when creating a new policy,

DESTROY used when removing a policy,

POWER used when sending an immediate command, max, min, etc.

Required yes

Example

```
"command", "CREATE"
```

Pair Name "policy_type"

Description Type of policy to apply. Please see vm_power_manager documentation for more information on the types of policies that may be used.

Type string

Values

TIME Time-of-day policy. Frequencies of the relevant cores are scaled up/down depending on busy and quiet hours.

TRAFFIC This policy takes statistics from the NIC and scales up and down accordingly.

WORKLOAD This policy looks at how heavily loaded the cores are, and scales up and down accordingly.

BRANCH_RATIO This out-of-band policy can look at the ratio between branch hits and misses on a core, and is useful for detecting how much packet processing a core is doing.

Required only for CREATE/DESTROY command

Example

```
"policy_type", "TIME"
```

Pair Name "busy_hours"

Description The hours of the day in which we scale up the cores for busy times.

Type array of integers

Values array with list of hour numbers, (0-23)

Required only for TIME policy

Example

```
"busy_hours": [ 17, 18, 19, 20, 21, 22, 23 ]
```

Pair Name "quiet_hours"

Description The hours of the day in which we scale down the cores for quiet times.

Type array of integers

Values array with list of hour numbers, (0-23)

Required only for TIME policy

Example

```
"quiet_hours": [ 2, 3, 4, 5, 6 ]
```

Pair Name "avg_packet_thresh"

Description Threshold below which the frequency will be set to min for the TRAFFIC policy. If the traffic rate is above this and below max, the frequency will be set to medium.

Type integer

Values The number of packets below which the TRAFFIC policy applies the minimum frequency, or medium frequency if between avg and max thresholds.

Required only for TRAFFIC policy

Example

```
"avg_packet_thresh": 100000
```

Pair Name "max_packet_thresh"

Description Threshold above which the frequency will be set to max for the TRAFFIC policy

Type integer

Values The number of packets per interval above which the TRAFFIC policy applies the maximum frequency

Required only for TRAFFIC policy

Example

```
"max_packet_thresh": 500000
```

Pair Name "core_list"

Description The cores to which to apply the policy.

Type array of integers

Values array with list of virtual CPUs.

Required only policy CREATE/DESTROY

Example

```
"core_list": [ 10, 11 ]
```

Pair Name "workload"

Description When our policy is of type WORKLOAD, we need to specify how heavy our workload is.

Type string

Values

HIGH For cores running workloads that require high frequencies

MEDIUM For cores running workloads that require medium frequencies

LOW For cores running workloads that require low frequencies

Required only for WORKLOAD policy types

Example

```
"workload", "MEDIUM"
```

Pair Name "mac_list"

Description When our policy is of type TRAFFIC, we need to specify the MAC addresses that the host needs to monitor

Type string

Values array with a list of mac address strings.

Required only for TRAFFIC policy types

Example

```
"mac_list": [ "de:ad:be:ef:01:01", "de:ad:be:ef:01:02" ]
```

Pair Name "unit"

Description the type of power operation to apply in the command

Type string

Values

SCALE_MAX Scale frequency of this core to maximum

SCALE_MIN Scale frequency of this core to minimum

SCALE_UP Scale up frequency of this core

SCALE_DOWN Scale down frequency of this core

ENABLE_TURBO Enable Turbo Boost for this core

DISABLE_TURBO Disable Turbo Boost for this core

Required only for POWER instruction

Example

```
"unit", "SCALE_MAX"
```

Pair Name "resource_id"

Description The core to which to apply the power command.

Type integer

Values valid core id for VM or host OS.

Required only POWER instruction

Example

```
"resource_id": 10
```

44.4.4 JSON API Examples

Profile create example:

```
{ "policy": {
  "name": "ubuntu",
  "command": "create",
  "policy_type": "TIME",
  "busy_hours": [ 17, 18, 19, 20, 21, 22, 23 ],
  "quiet_hours": [ 2, 3, 4, 5, 6 ],
```

```
    "core_list": [ 11 ]
  }}
}
```

Profile destroy example:

```
{ "policy": {
  "name": "ubuntu",
  "command": "destroy",
}}
}
```

Power command example:

```
{ "instruction": {
  "name": "ubuntu",
  "command": "power",
  "unit": "SCALE_MAX",
  "resource_id": 10
}}
}
```

To send a JSON string to the Power Manager application, simply paste the example JSON string into a text file and cat it into the fifo:

```
cat file.json >/tmp/powermonitor/fifo
```

The console of the Power Manager application should indicate the command that was just received via the fifo.

44.5 Compiling and Running the Guest Applications

`l3fwd-power` is one sample application that can be used with `vm_power_manager`.

A guest CLI is also provided for validating the setup.

For both `l3fwd-power` and guest CLI, the channels for the VM must be monitored by the host application using the `add_channels` command on the host. This typically uses the following commands in the host application:

```
vm_power> add_vm vmname
vm_power> add_channels vmname all
vm_power> set_channel_status vmname all enabled
vm_power> show_vm vmname
```

44.5.1 Compiling

For information on compiling DPDK and the sample applications see [Compiling the Sample Applications](#).

For compiling and running `l3fwd-power`, see [L3 Forwarding with Power Management Sample Application](#).

The application is located in the `guest_cli` sub-directory under `vm_power_manager`.

To build just the `guest_vm_power_manager` application using `make`:

```
export RTE_SDK=/path/to/rte_sdk
export RTE_TARGET=build
cd ${RTE_SDK}/examples/vm_power_manager/guest_cli/
make
```

The resulting binary will be `${RTE_SDK}/build/examples/guest_cli`

Note: This sample application conditionally links in the Jansson JSON library, so if you are using a multilib or cross compile environment you may need to set the `PKG_CONFIG_LIBDIR` environmental variable to point to the relevant pkgconfig folder so that the correct library is linked in.

For example, if you are building for a 32-bit target, you could find the correct directory using the following `find` command:

```
# find /usr -type d -name pkgconfig
/usr/lib/i386-linux-gnu/pkgconfig
/usr/lib/x86_64-linux-gnu/pkgconfig
```

Then use:

```
export PKG_CONFIG_LIBDIR=/usr/lib/i386-linux-gnu/pkgconfig
```

You then use the `make` command as normal, which should find the 32-bit version of the library, if it installed. If not, the application will be built without the JSON interface functionality.

To build just the `vm_power_manager` application using `meson/ninja`:

```
export RTE_SDK=/path/to/rte_sdk
cd ${RTE_SDK}
meson build
cd build
ninja
meson configure -Dexamples=vm_power_manager/guest_cli
ninja
```

The resulting binary will be `${RTE_SDK}/build/examples/guest_cli`

44.5.2 Running

The standard *EAL* command line parameters are required:

```
./build/guest_vm_power_mgr [EAL options] -- [guest options]
```

The guest example uses a channel for each lcore enabled. For example, to run on cores 0,1,2,3:

```
./build/guest_vm_power_mgr -l 0-3
```

Optionally, there is a list of command line parameter should the user wish to send a power policy down to the host application. These parameters are as follows:

```
--vm-name {name of guest vm}
```

This parameter allows the user to change the Virtual Machine name passed down to the host application via the power policy. The default is “ubuntu2”

```
--vcpu-list {list vm cores}
```

A comma-separated list of cores in the VM that the user wants the host application to monitor. The list of cores in any vm starts at zero, and these are mapped to the physical cores by the host application once the policy is passed down. Valid syntax includes individual cores ‘2,3,4’, or a range of cores ‘2-4’, or a combination of both ‘1,3,5-7’

```
--busy-hours {list of busy hours}
```

A comma-separated list of hours within which to set the core frequency to maximum. Valid syntax includes individual hours '2,3,4', or a range of hours '2-4', or a combination of both '1,3,5-7'. Valid hours are 0 to 23.

```
--quiet-hours {list of quiet hours}
```

A comma-separated list of hours within which to set the core frequency to minimum. Valid syntax includes individual hours '2,3,4', or a range of hours '2-4', or a combination of both '1,3,5-7'. Valid hours are 0 to 23.

```
--policy {policy type}
```

The type of policy. This can be one of the following values: TRAFFIC - based on incoming traffic rates on the NIC. TIME - busy/quiet hours policy. BRANCH_RATIO - uses branch ratio counters to determine core busyness. Not all parameters are needed for all policy types. For example, BRANCH_RATIO only needs the vcpu-list parameter, not any of the hours.

After successful initialization the user is presented with VM Power Manager Guest CLI:

```
vm_power(guest)>
```

To change the frequency of a lcore, use the `set_cpu_freq` command. Where `{core_num}` is the lcore and channel to change frequency by scaling up/down/min/max.

```
set_cpu_freq {core_num} up|down|min|max
```

To start the application and configure the power policy, and send it to the host:

```
./build/guest_vm_power_mgr -l 0-3 -n 4 -- --vm-name=ubuntu --policy=BRANCH_RATIO --vcpu-list=2-
```

Once the VM Power Manager Guest CLI appears, issuing the 'send_policy now' command will send the policy to the host:

```
send_policy now
```

Once the policy is sent to the host, the host application takes over the power monitoring of the specified cores in the policy.

TEP TERMINATION SAMPLE APPLICATION

The TEP (Tunnel End point) termination sample application simulates a VXLAN Tunnel End-point (VTEP) termination in DPDK, which is used to demonstrate the offload and filtering capabilities of Intel® XL710 10/40 Gigabit Ethernet Controller for VXLAN packet. This sample uses the basic virtio devices management mechanism from vhost example, and also uses the us-vHost interface and tunnel filtering mechanism to direct a specified traffic to a specific VM. In addition, this sample is also designed to show how tunneling protocols can be handled.

45.1 Background

With virtualization, overlay networks allow a network structure to be built or imposed across physical nodes which is abstracted away from the actual underlining physical network connections. This allows network isolation, QOS, etc to be provided on a per client basis.

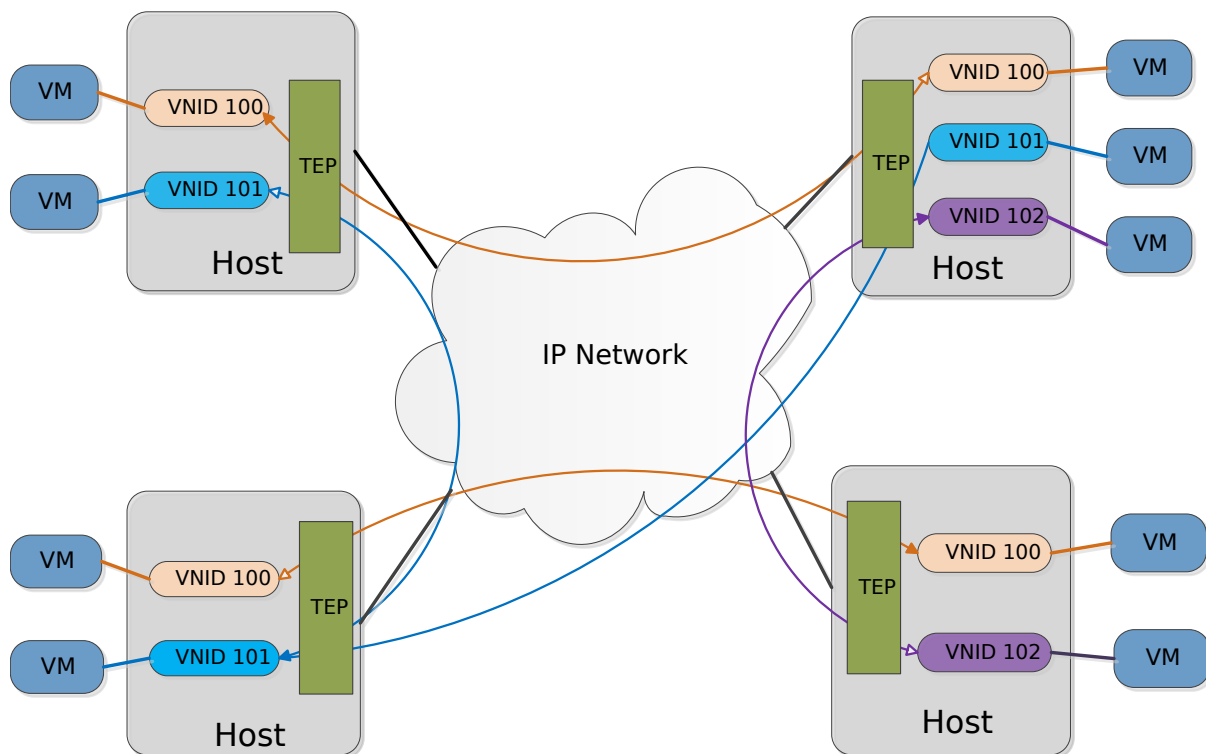


Fig. 45.1: Overlay Networking.

In a typical setup, the network overlay tunnel is terminated at the Virtual/Tunnel End Point

(VEP/TEP). The TEP is normally located at the physical host level ideally in the software switch. Due to processing constraints and the inevitable bottleneck that the switch becomes, the ability to offload overlay support features becomes an important requirement. Intel® XL710 10/40 Gigabit Ethernet network card provides hardware filtering and offload capabilities to support overlay networks implementations such as MAC in UDP and MAC in GRE.

45.2 Sample Code Overview

The DPDK TEP termination sample code demonstrates the offload and filtering capabilities of Intel® XL710 10/40 Gigabit Ethernet Controller for VXLAN packet.

The sample code is based on vhost library. The vhost library is developed for user space Ethernet switch to easily integrate with vhost functionality.

The sample will support the followings:

- Tunneling packet recognition.
- The port of UDP tunneling is configurable
- Directing incoming traffic to the correct queue based on the tunnel filter type. The supported filter type are listed below.
 - Inner MAC and VLAN and tenant ID
 - Inner MAC and tenant ID, and Outer MAC
 - Inner MAC and tenant ID

The tenant ID will be assigned from a static internal table based on the us-vhost device ID. Each device will receive a unique device ID. The inner MAC will be learned by the first packet transmitted from a device.

- Decapsulation of RX VXLAN traffic. This is a software only operation.
- Encapsulation of TX VXLAN traffic. This is a software only operation.
- Inner IP and inner L4 checksum offload.
- TSO offload support for tunneling packet.

The following figure shows the framework of the TEP termination sample application based on DPDK vhost lib.

45.3 Supported Distributions

The example in this section have been validated with the following distributions:

- Fedora* 18
- Fedora* 19
- Fedora* 20

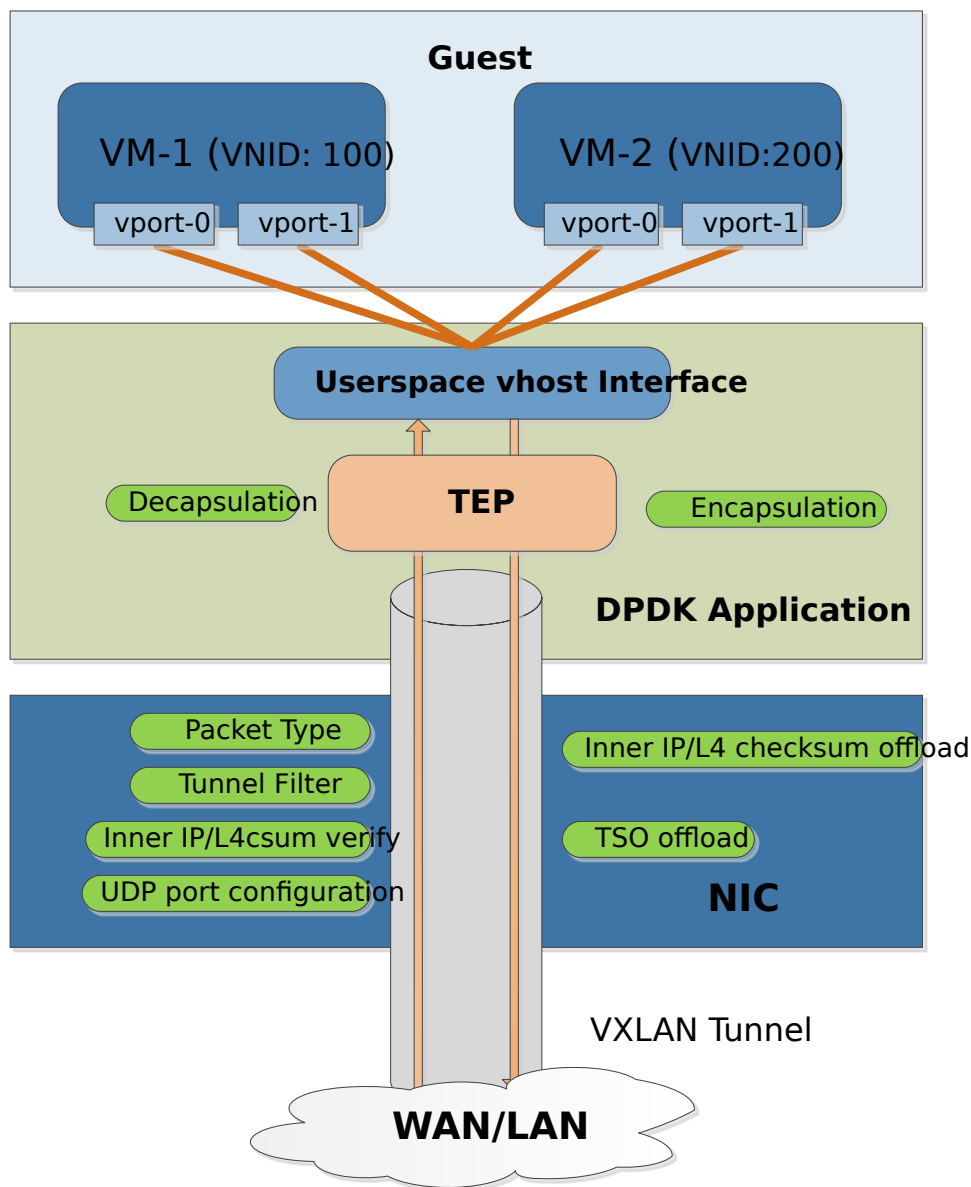


Fig. 45.2: TEP termination Framework Overview

45.4 Compiling the Sample Code

To enable vhost, turn on vhost library in the configure file `config/common_linux`.

```
CONFIG_RTE_LIBRTE_VHOST=y
```

Then following the to compile the sample application shown in [Compiling the Sample Applications](#).

45.5 Running the Sample Code

1. Go to the examples directory:

```
export RTE_SDK=/path/to/rte_sdk
cd ${RTE_SDK}/examples/tep_termination
```

2. Run the `tep_termination` sample code:

```
user@target:~$ ./build/app/tep_termination -l 0-3 -n 4 --huge-dir /mnt/huge --
-p 0x1 --dev-basename tep-termination --nb-devices 4
--udp-port 4789 --filter-type 1
```

Note: Please note the `huge-dir` parameter instructs the DPDK to allocate its memory from the 2 MB page `hugetlbfs`.

45.5.1 Parameters

The same parameters with the vhost sample.

Refer to [Parameters](#) for detailed explanation.

Number of Devices.

The `nb-devices` option specifies the number of virtIO device. The default value is 2.

```
user@target:~$ ./build/app/tep_termination -l 0-3 -n 4 --huge-dir /mnt/huge --
--nb-devices 2
```

Tunneling UDP port.

The `udp-port` option is used to specify the destination UDP number for UDP tunneling packet. The default value is 4789.

```
user@target:~$ ./build/app/tep_termination -l 0-3 -n 4 --huge-dir /mnt/huge --
--nb-devices 2 --udp-port 4789
```

Filter Type.

The `filter-type` option is used to specify which filter type is used to filter UDP tunneling packet to a specified queue. The default value is 1, which means the filter type of inner MAC and tenant ID is used.

```
user@target:~$ ./build/app/tep_termination -l 0-3 -n 4 --huge-dir /mnt/huge --
--nb-devices 2 --udp-port 4789 --filter-type 1
```

TX Checksum.

The `tx-checksum` option is used to enable or disable the inner header checksum offload. The default value is 0, which means the checksum offload is disabled.

```
user@target:~$ ./build/app/tep_termination -l 0-3 -n 4 --huge-dir /mnt/huge --
--nb-devices 2 --tx-checksum
```

TCP segment size.

The `tso-segsz` option specifies the TCP segment size for TSO offload for tunneling packet. The default value is 0, which means TSO offload is disabled.

```
user@target:~$ ./build/app/tep_termination -l 0-3 -n 4 --huge-dir /mnt/huge --
--tx-checksum --tso-segsz 800
```

Decapsulation option.

The `decap` option is used to enable or disable decapsulation operation for received VXLAN packet. The default value is 1.

```
user@target:~$ ./build/app/tep_termination -l 0-3 -n 4 --huge-dir /mnt/huge --
--nb-devices 4 --udp-port 4789 --decap 1
```

Encapsulation option.

The `encap` option is used to enable or disable encapsulation operation for transmitted packet. The default value is 1.

```
user@target:~$ ./build/app/tep_termination -l 0-3 -n 4 --huge-dir /mnt/huge --
--nb-devices 4 --udp-port 4789 --encap 1
```

45.6 Running the Virtual Machine (QEMU)

Refer to *Start the VM*.

45.7 Running DPDK in the Virtual Machine

Refer to *Run testpmd inside guest*.

45.8 Passing Traffic to the Virtual Machine Device

For a virtio-net device to receive traffic, the traffic's Layer 2 header must include both the virtio-net device's MAC address. The DPDK sample code behaves in a similar manner to a learning switch in that it learns the MAC address of the virtio-net devices from the first transmitted packet. On learning the MAC address, the DPDK vhost sample code prints a message with the MAC address and tenant ID virtio-net device. For example:

```
DATA: (0) MAC_ADDRESS cc:bb:bb:bb:bb:bb and VNI 1000 registered
```

The above message indicates that device 0 has been registered with MAC address `cc:bb:bb:bb:bb:bb` and VNI 1000. Any packets received on the NIC with these values are placed on the devices receive queue.

PTP CLIENT SAMPLE APPLICATION

The PTP (Precision Time Protocol) client sample application is a simple example of using the DPDK IEEE1588 API to communicate with a PTP master clock to synchronize the time on the NIC and, optionally, on the Linux system.

Note, PTP is a time syncing protocol and cannot be used within DPDK as a time-stamping mechanism. See the following for an explanation of the protocol: [Precision Time Protocol](#).

46.1 Limitations

The PTP sample application is intended as a simple reference implementation of a PTP client using the DPDK IEEE1588 API. In order to keep the application simple the following assumptions are made:

- The first discovered master is the master for the session.
- Only L2 PTP packets are supported.
- Only the PTP v2 protocol is supported.
- Only the slave clock is implemented.

46.2 How the Application Works

The PTP synchronization in the sample application works as follows:

- Master sends *Sync* message - the slave saves it as T2.
- Master sends *Follow Up* message and sends time of T1.
- Slave sends *Delay Request* frame to PTP Master and stores T3.
- Master sends *Delay Response* T4 time which is time of received T3.

The adjustment for slave can be represented as:

$$\text{adj} = -[(T2-T1)-(T4 - T3)]/2$$

If the command line parameter `-T 1` is used the application also synchronizes the PTP PHC clock with the Linux kernel clock.

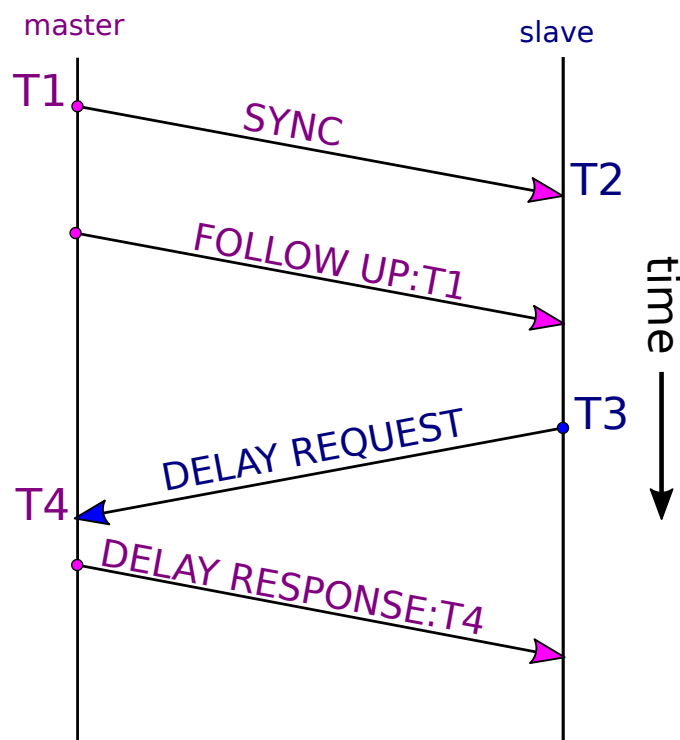


Fig. 46.1: PTP Synchronization Protocol

46.3 Compiling the Application

To compile the sample application see [Compiling the Sample Applications](#).

The application is located in the `ptpclient` sub-directory.

Note: To compile the application edit the `config/common_linux` configuration file to enable IEEE1588 and then recompile DPDK:

```
CONFIG_RTE_LIBRTE_IEEE1588=y
```

46.4 Running the Application

To run the example in a `linux` environment:

```
./build/ptpclient -l 1 -n 4 -- -p 0x1 -T 0
```

Refer to *DPDK Getting Started Guide* for general information on running applications and the Environment Abstraction Layer (EAL) options.

- `-p portmask`: Hexadecimal portmask.
- `-T 0`: Update only the PTP slave clock.
- `-T 1`: Update the PTP slave clock and synchronize the Linux Kernel to the PTP clock.

46.5 Code Explanation

The following sections provide an explanation of the main components of the code.

All DPDK library functions used in the sample code are prefixed with `rte_` and are explained in detail in the *DPDK API Documentation*.

46.5.1 The Main Function

The `main()` function performs the initialization and calls the execution threads for each lcore.

The first task is to initialize the Environment Abstraction Layer (EAL). The `argc` and `argv` arguments are provided to the `rte_eal_init()` function. The value returned is the number of parsed arguments:

```
int ret = rte_eal_init(argc, argv);
if (ret < 0)
    rte_exit(EXIT_FAILURE, "Error with EAL initialization\n");
```

And then we parse application specific arguments

```
argc -= ret;
argv += ret;

ret = ptp_parse_args(argc, argv);
if (ret < 0)
    rte_exit(EXIT_FAILURE, "Error with PTP initialization\n");
```

The `main()` also allocates a mempool to hold the mbufs (Message Buffers) used by the application:

```
mbuf_pool = rte_pktmbuf_pool_create("MBUF_POOL", NUM_MBUEFS * nb_ports,
    MBUF_CACHE_SIZE, 0, RTE_MBUF_DEFAULT_BUF_SIZE, rte_socket_id());
```

Mbufs are the packet buffer structure used by DPDK. They are explained in detail in the “Mbuf Library” section of the *DPDK Programmer’s Guide*.

The `main()` function also initializes all the ports using the user defined `port_init()` function with portmask provided by user:

```
for (portid = 0; portid < nb_ports; portid++)
    if ((ptp_enabled_port_mask & (1 << portid)) != 0) {

        if (port_init(portid, mbuf_pool) == 0) {
            ptp_enabled_ports[ptp_enabled_port_nb] = portid;
            ptp_enabled_port_nb++;
        } else {
            rte_exit(EXIT_FAILURE, "Cannot init port %"PRIu8 "\n",
                portid);
        }
    }
```

Once the initialization is complete, the application is ready to launch a function on an lcore. In this example `lcore_main()` is called on a single lcore.

```
lcore_main();
```

The `lcore_main()` function is explained below.

46.5.2 The Lcores Main

As we saw above the `main()` function calls an application function on the available lcores.

The main work of the application is done within the loop:

```
for (portid = 0; portid < ptp_enabled_port_nb; portid++) {

    portid = ptp_enabled_ports[portid];
    nb_rx = rte_eth_rx_burst(portid, 0, &m, 1);

    if (likely(nb_rx == 0))
        continue;

    if (m->ol_flags & PKT_RX_IEEE1588_PTP)
        parse_ptp_frames(portid, m);

    rte_pktmbuf_free(m);
}
```

Packets are received one by one on the RX ports and, if required, PTP response packets are transmitted on the TX ports.

If the offload flags in the mbuf indicate that the packet is a PTP packet then the packet is parsed to determine which type:

```
if (m->ol_flags & PKT_RX_IEEE1588_PTP)
    parse_ptp_frames(portid, m);
```

All packets are freed explicitly using `rte_pktmbuf_free()`.

The forwarding loop can be interrupted and the application closed using `Ctrl-C`.

46.5.3 PTP parsing

The `parse_ptp_frames()` function processes PTP packets, implementing slave PTP IEEE1588 L2 functionality.

```
void
parse_ptp_frames(uint16_t portid, struct rte_mbuf *m) {
    struct ptp_header *ptp_hdr;
    struct ether_hdr *eth_hdr;
    uint16_t eth_type;

    eth_hdr = rte_pktmbuf_mtod(m, struct ether_hdr *);
    eth_type = rte_be_to_cpu_16(eth_hdr->ether_type);

    if (eth_type == PTP_PROTOCOL) {
        ptp_data.m = m;
        ptp_data.portid = portid;
        ptp_hdr = (struct ptp_header *) (rte_pktmbuf_mtod(m, char *)
            + sizeof(struct ether_hdr));

        switch (ptp_hdr->msgtype) {
            case SYNC:
                parse_sync(&ptp_data);
                break;
            case FOLLOW_UP:
                parse_fup(&ptp_data);
                break;
            case DELAY_RESP:
                parse_drsp(&ptp_data);
        }
    }
}
```

```
        print_clock_info(&ptp_data);
        break;
    default:
        break;
    }
}
```

There are 3 types of packets on the RX path which we must parse to create a minimal implementation of the PTP slave client:

- SYNC packet.
- FOLLOW UP packet
- DELAY RESPONSE packet.

When we parse the *FOLLOW UP* packet we also create and send a *DELAY_REQUEST* packet. Also when we parse the *DELAY RESPONSE* packet, and all conditions are met we adjust the PTP slave clock.

PERFORMANCE THREAD SAMPLE APPLICATION

The performance thread sample application is a derivative of the standard L3 forwarding application that demonstrates different threading models.

47.1 Overview

For a general description of the L3 forwarding applications capabilities please refer to the documentation of the standard application in [L3 Forwarding Sample Application](#).

The performance thread sample application differs from the standard L3 forwarding example in that it divides the TX and RX processing between different threads, and makes it possible to assign individual threads to different cores.

Three threading models are considered:

1. When there is one EAL thread per physical core.
2. When there are multiple EAL threads per physical core.
3. When there are multiple lightweight threads per EAL thread.

Since DPDK release 2.0 it is possible to launch applications using the `--lcores` EAL parameter, specifying cpu-sets for a physical core. With the performance thread sample application its is now also possible to assign individual RX and TX functions to different cores.

As an alternative to dividing the L3 forwarding work between different EAL threads the performance thread sample introduces the possibility to run the application threads as lightweight threads (L-threads) within one or more EAL threads.

In order to facilitate this threading model the example includes a primitive cooperative scheduler (L-thread) subsystem. More details of the L-thread subsystem can be found in [The L-thread subsystem](#).

Note: Whilst theoretically possible it is not anticipated that multiple L-thread schedulers would be run on the same physical core, this mode of operation should not be expected to yield useful performance and is considered invalid.

47.2 Compiling the Application

To compile the sample application see [Compiling the Sample Applications](#).

The application is located in the `performance-thread/l3fwd-thread` sub-directory.

47.3 Running the Application

The application has a number of command line options:

```
./build/l3fwd-thread [EAL options] --
  -p PORTMASK [-P]
  --rx(port,queue,lcore,thread) [, (port,queue,lcore,thread) ]
  --tx(lcore,thread) [, (lcore,thread) ]
  [--enable-jumbo] [--max-pkt-len PKTLEN]] [--no-numa]
  [--hash-entry-num] [--ipv6] [--no-lthreads] [--stat-lcore lcore]
  [--parse-ptype]
```

Where:

- `-p PORTMASK`: Hexadecimal bitmask of ports to configure.
- `-P`: optional, sets all ports to promiscuous mode so that packets are accepted regardless of the packet's Ethernet MAC destination address. Without this option, only packets with the Ethernet MAC destination address set to the Ethernet address of the port are accepted.
- `--rx (port,queue,lcore,thread) [, (port,queue,lcore,thread)]`: the list of NIC RX ports and queues handled by the RX lcores and threads. The parameters are explained below.
- `--tx (lcore,thread) [, (lcore,thread)]`: the list of TX threads identifying the lcore the thread runs on, and the id of RX thread with which it is associated. The parameters are explained below.
- `--enable-jumbo`: optional, enables jumbo frames.
- `--max-pkt-len`: optional, maximum packet length in decimal (64-9600).
- `--no-numa`: optional, disables numa awareness.
- `--hash-entry-num`: optional, specifies the hash entry number in hex to be setup.
- `--ipv6`: optional, set it if running ipv6 packets.
- `--no-lthreads`: optional, disables l-thread model and uses EAL threading model. See below.
- `--stat-lcore`: optional, run CPU load stats collector on the specified lcore.
- `--parse-ptype`: optional, set to use software to analyze packet type. Without this option, hardware will check the packet type.

The parameters of the `--rx` and `--tx` options are:

- `--rx` parameters

| | |
|--------|---|
| port | RX port |
| queue | RX queue that will be read on the specified RX port |
| lcore | Core to use for the thread |
| thread | Thread id (continuously from 0 to N) |

- `--tx` parameters

| | |
|--------|--|
| lcore | Core to use for L3 route match and transmit |
| thread | Id of RX thread to be associated with this TX thread |

The `l3fwd-thread` application allows you to start packet processing in two threading models: L-Threads (default) and EAL Threads (when the `--no-lthreads` parameter is used). For consistency all parameters are used in the same way for both models.

47.3.1 Running with L-threads

When the L-thread model is used (default option), `lcore` and `thread` parameters in `--rx/--tx` are used to affinitize threads to the selected scheduler.

For example, the following places every l-thread on different lcores:

```
l3fwd-thread -l 0-7 -n 2 -- -P -p 3 \
  --rx="(0,0,0,0) (1,0,1,1)" \
  --tx="(2,0) (3,1)"
```

The following places RX l-threads on lcore 0 and TX l-threads on lcore 1 and 2 and so on:

```
l3fwd-thread -l 0-7 -n 2 -- -P -p 3 \
  --rx="(0,0,0,0) (1,0,0,1)" \
  --tx="(1,0) (2,1)"
```

47.3.2 Running with EAL threads

When the `--no-lthreads` parameter is used, the L-threading model is turned off and EAL threads are used for all processing. EAL threads are enumerated in the same way as L-threads, but the `--lcores` EAL parameter is used to affinitize threads to the selected cpu-set (scheduler). Thus it is possible to place every RX and TX thread on different lcores.

For example, the following places every EAL thread on different lcores:

```
l3fwd-thread -l 0-7 -n 2 -- -P -p 3 \
  --rx="(0,0,0,0) (1,0,1,1)" \
  --tx="(2,0) (3,1)" \
  --no-lthreads
```

To affinitize two or more EAL threads to one cpu-set, the EAL `--lcores` parameter is used.

The following places RX EAL threads on lcore 0 and TX EAL threads on lcore 1 and 2 and so on:

```
l3fwd-thread -l 0-7 -n 2 --lcores="(0,1)@0, (2,3)@1" -- -P -p 3 \
  --rx="(0,0,0,0) (1,0,1,1)" \
  --tx="(2,0) (3,1)" \
  --no-lthreads
```

47.3.3 Examples

For selected scenarios the command line configuration of the application for L-threads and its corresponding EAL threads command line can be realized as follows:

1. Start every thread on different scheduler (1:1):

```
l3fwd-thread -l 0-7 -n 2 -- -P -p 3 \
  --rx="(0,0,0,0) (1,0,1,1)" \
  --tx="(2,0) (3,1)"
```

EAL thread equivalent:

```
l3fwd-thread -l 0-7 -n 2 -- -P -p 3 \
  --rx="(0,0,0,0) (1,0,1,1)" \
  --tx="(2,0) (3,1)" \
  --no-lthreads
```

2. Start all threads on one core (N:1).

Start 4 L-threads on lcore 0:

```
l3fwd-thread -l 0-7 -n 2 -- -P -p 3 \
  --rx="(0,0,0,0) (1,0,0,1)" \
  --tx="(0,0) (0,1)"
```

Start 4 EAL threads on cpu-set 0:

```
l3fwd-thread -l 0-7 -n 2 --lcores="(0-3)@0" -- -P -p 3 \
  --rx="(0,0,0,0) (1,0,0,1)" \
  --tx="(2,0) (3,1)" \
  --no-lthreads
```

3. Start threads on different cores (N:M).

Start 2 L-threads for RX on lcore 0, and 2 L-threads for TX on lcore 1:

```
l3fwd-thread -l 0-7 -n 2 -- -P -p 3 \
  --rx="(0,0,0,0) (1,0,0,1)" \
  --tx="(1,0) (1,1)"
```

Start 2 EAL threads for RX on cpu-set 0, and 2 EAL threads for TX on cpu-set 1:

```
l3fwd-thread -l 0-7 -n 2 --lcores="(0-1)@0, (2-3)@1" -- -P -p 3 \
  --rx="(0,0,0,0) (1,0,1,1)" \
  --tx="(2,0) (3,1)" \
  --no-lthreads
```

47.4 Explanation

To a great extent the sample application differs little from the standard L3 forwarding application, and readers are advised to familiarize themselves with the material covered in the [L3 Forwarding Sample Application](#) documentation before proceeding.

The following explanation is focused on the way threading is handled in the performance thread example.

47.4.1 Mode of operation with EAL threads

The performance thread sample application has split the RX and TX functionality into two different threads, and the RX and TX threads are interconnected via software rings. With respect to these rings the RX threads are producers and the TX threads are consumers.

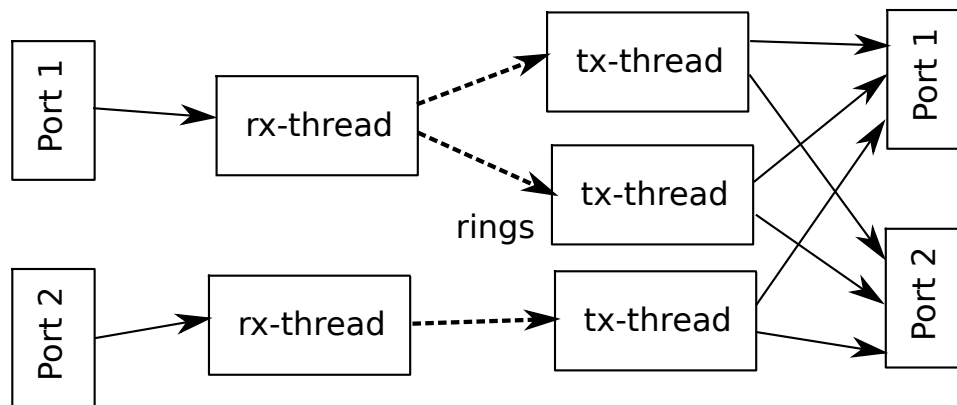
On initialization the TX and RX threads are started according to the command line parameters.

The RX threads poll the network interface queues and post received packets to a TX thread via a corresponding software ring.

The TX threads poll software rings, perform the L3 forwarding hash/LPM match, and assemble packet bursts before performing burst transmit on the network interface.

As with the standard L3 forward application, burst draining of residual packets is performed periodically with the period calculated from elapsed time using the timestamps counter.

The diagram below illustrates a case with two RX threads and three TX threads.



47.4.2 Mode of operation with L-threads

Like the EAL thread configuration the application has split the RX and TX functionality into different threads, and the pairs of RX and TX threads are interconnected via software rings.

On initialization an L-thread scheduler is started on every EAL thread. On all but the master EAL thread only a dummy L-thread is initially started. The L-thread started on the master EAL thread then spawns other L-threads on different L-thread schedulers according to the command line parameters.

The RX threads poll the network interface queues and post received packets to a TX thread via the corresponding software ring.

The ring interface is augmented by means of an L-thread condition variable that enables the TX thread to be suspended when the TX ring is empty. The RX thread signals the condition whenever it posts to the TX ring, causing the TX thread to be resumed.

Additionally the TX L-thread spawns a worker L-thread to take care of polling the software rings, whilst it handles burst draining of the transmit buffer.

The worker threads poll the software rings, perform L3 route lookup and assemble packet bursts. If the TX ring is empty the worker thread suspends itself by waiting on the condition variable associated with the ring.

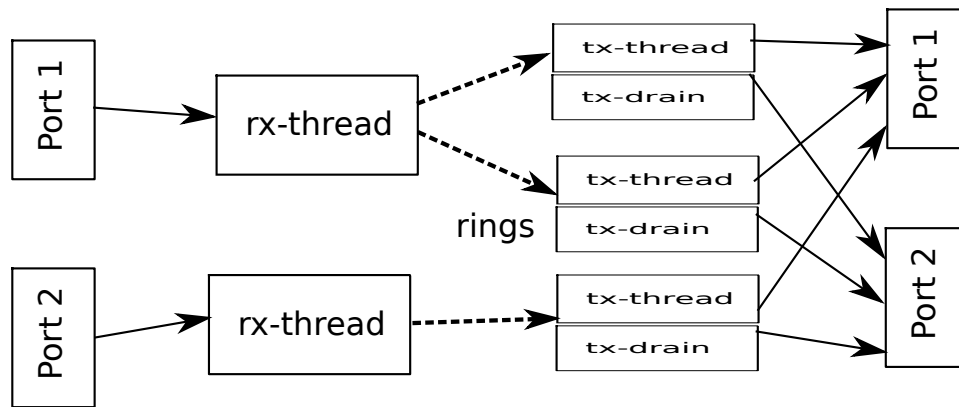
Burst draining of residual packets, less than the burst size, is performed by the TX thread which sleeps (using an L-thread sleep function) and resumes periodically to flush the TX buffer.

This design means that L-threads that have no work, can yield the CPU to other L-threads and avoid having to constantly poll the software rings.

The diagram below illustrates a case with two RX threads and three TX functions (each comprising a thread that processes forwarding and a thread that periodically drains the output buffer of residual packets).

47.4.3 CPU load statistics

It is possible to display statistics showing estimated CPU load on each core. The statistics indicate the percentage of CPU time spent: processing received packets (forwarding), polling



queues/rings (waiting for work), and doing any other processing (context switch and other overhead).

When enabled statistics are gathered by having the application threads set and clear flags when they enter and exit pertinent code sections. The flags are then sampled in real time by a statistics collector thread running on another core. This thread displays the data in real time on the console.

This feature is enabled by designating a statistics collector core, using the `--stat-lcore` parameter.

47.5 The L-thread subsystem

The L-thread subsystem resides in the `examples/performance-thread/common` directory and is built and linked automatically when building the `l3fwd-thread` example.

The subsystem provides a simple cooperative scheduler to enable arbitrary functions to run as cooperative threads within a single EAL thread. The subsystem provides a pthread like API that is intended to assist in reuse of legacy code written for POSIX pthreads.

The following sections provide some detail on the features, constraints, performance and porting considerations when using L-threads.

47.5.1 Comparison between L-threads and POSIX pthreads

The fundamental difference between the L-thread and pthread models is the way in which threads are scheduled. The simplest way to think about this is to consider the case of a processor with a single CPU. To run multiple threads on a single CPU, the scheduler must frequently switch between the threads, in order that each thread is able to make timely progress. This is the basis of any multitasking operating system.

This section explores the differences between the pthread model and the L-thread model as implemented in the provided L-thread subsystem. If needed a theoretical discussion of pre-emptive vs cooperative multi-threading can be found in any good text on operating system design.

Scheduling and context switching

The POSIX pthread library provides an application programming interface to create and synchronize threads. Scheduling policy is determined by the host OS, and may be configurable. The OS may use sophisticated rules to determine which thread should be run next, threads may suspend themselves or make other threads ready, and the scheduler may employ a time slice giving each thread a maximum time quantum after which it will be preempted in favor of another thread that is ready to run. To complicate matters further threads may be assigned different scheduling priorities.

By contrast the L-thread subsystem is considerably simpler. Logically the L-thread scheduler performs the same multiplexing function for L-threads within a single pthread as the OS scheduler does for pthreads within an application process. The L-thread scheduler is simply the main loop of a pthread, and in so far as the host OS is concerned it is a regular pthread just like any other. The host OS is oblivious about the existence of and not at all involved in the scheduling of L-threads.

The other and most significant difference between the two models is that L-threads are scheduled cooperatively. L-threads cannot preempt each other, nor can the L-thread scheduler preempt a running L-thread (i.e. there is no time slicing). The consequence is that programs implemented with L-threads must possess frequent rescheduling points, meaning that they must explicitly and of their own volition return to the scheduler at frequent intervals, in order to allow other L-threads an opportunity to proceed.

In both models switching between threads requires that the current CPU context is saved and a new context (belonging to the next thread ready to run) is restored. With pthreads this context switching is handled transparently and the set of CPU registers that must be preserved between context switches is as per an interrupt handler.

An L-thread context switch is achieved by the thread itself making a function call to the L-thread scheduler. Thus it is only necessary to preserve the callee registers. The caller is responsible to save and restore any other registers it is using before a function call, and restore them on return, and this is handled by the compiler. For `x86_64` on both Linux and BSD the System V calling convention is used, this defines registers RSP, RBP, and R12-R15 as callee-save registers (for more detailed discussion a good reference is [X86 Calling Conventions](#)).

Taking advantage of this, and due to the absence of preemption, an L-thread context switch is achieved with less than 20 load/store instructions.

The scheduling policy for L-threads is fixed, there is no prioritization of L-threads, all L-threads are equal and scheduling is based on a FIFO ready queue.

An L-thread is a struct containing the CPU context of the thread (saved on context switch) and other useful items. The ready queue contains pointers to threads that are ready to run. The L-thread scheduler is a simple loop that polls the ready queue, reads from it the next thread ready to run, which it resumes by saving the current context (the current position in the scheduler loop) and restoring the context of the next thread from its thread struct. Thus an L-thread is always resumed at the last place it yielded.

A well behaved L-thread will call the context switch regularly (at least once in its main loop) thus returning to the scheduler's own main loop. Yielding inserts the current thread at the back of the ready queue, and the process of servicing the ready queue is repeated, thus the system runs by flipping back and forth between L-threads and scheduler loop.

In the case of pthreads, the preemptive scheduling, time slicing, and support for thread prioritization means that progress is normally possible for any thread that is ready to run. This comes

at the price of a relatively heavier context switch and scheduling overhead.

With L-threads the progress of any particular thread is determined by the frequency of rescheduling opportunities in the other L-threads. This means that an errant L-thread monopolizing the CPU might cause scheduling of other threads to be stalled. Due to the lower cost of context switching, however, voluntary rescheduling to ensure progress of other threads, if managed sensibly, is not a prohibitive overhead, and overall performance can exceed that of an application using pthreads.

Mutual exclusion

With pthreads preemption means that threads that share data must observe some form of mutual exclusion protocol.

The fact that L-threads cannot preempt each other means that in many cases mutual exclusion devices can be completely avoided.

Locking to protect shared data can be a significant bottleneck in multi-threaded applications so a carefully designed cooperatively scheduled program can enjoy significant performance advantages.

So far we have considered only the simplistic case of a single core CPU, when multiple CPUs are considered things are somewhat more complex.

First of all it is inevitable that there must be multiple L-thread schedulers, one running on each EAL thread. So long as these schedulers remain isolated from each other the above assertions about the potential advantages of cooperative scheduling hold true.

A configuration with isolated cooperative schedulers is less flexible than the pthread model where threads can be affinitized to run on any CPU. With isolated schedulers scaling of applications to utilize fewer or more CPUs according to system demand is very difficult to achieve.

The L-thread subsystem makes it possible for L-threads to migrate between schedulers running on different CPUs. Needless to say if the migration means that threads that share data end up running on different CPUs then this will introduce the need for some kind of mutual exclusion system.

Of course `rte_ring` software rings can always be used to interconnect threads running on different cores, however to protect other kinds of shared data structures, lock free constructs or else explicit locking will be required. This is a consideration for the application design.

In support of this extended functionality, the L-thread subsystem implements thread safe mutexes and condition variables.

The cost of affinitizing and of condition variable signaling is significantly lower than the equivalent pthread operations, and so applications using these features will see a performance benefit.

Thread local storage

As with applications written for pthreads an application written for L-threads can take advantage of thread local storage, in this case local to an L-thread. An application may save and retrieve a single pointer to application data in the L-thread struct.

For legacy and backward compatibility reasons two alternative methods are also offered, the first is modeled directly on the pthread get/set specific APIs, the second approach is modeled on the RTE_PER_LCORE macros, whereby PER_LTHREAD macros are introduced, in both cases the storage is local to the L-thread.

47.5.2 Constraints and performance implications when using L-threads

API compatibility

The L-thread subsystem provides a set of functions that are logically equivalent to the corresponding functions offered by the POSIX pthread library, however not all pthread functions have a corresponding L-thread equivalent, and not all features available to pthreads are implemented for L-threads.

The pthread library offers considerable flexibility via programmable attributes that can be associated with threads, mutexes, and condition variables.

By contrast the L-thread subsystem has fixed functionality, the scheduler policy cannot be varied, and L-threads cannot be prioritized. There are no variable attributes associated with any L-thread objects. L-threads, mutexes and conditional variables, all have fixed functionality. (Note: reserved parameters are included in the APIs to facilitate possible future support for attributes).

The table below lists the pthread and equivalent L-thread APIs with notes on differences and/or constraints. Where there is no L-thread entry in the table, then the L-thread subsystem provides no equivalent function.

Table 47.1: [u'Pthread and equivalent L-thread APIs.')

| Pthread function | L-thread function | Notes |
|-------------------------|------------------------|----------------|
| pthread_barrier_destroy | | |
| pthread_barrier_init | | |
| pthread_barrier_wait | | |
| pthread_cond_broadcast | lthread_cond_broadcast | See note 1 |
| pthread_cond_destroy | lthread_cond_destroy | |
| pthread_cond_init | lthread_cond_init | |
| pthread_cond_signal | lthread_cond_signal | See note 1 |
| pthread_cond_timedwait | | |
| pthread_cond_wait | lthread_cond_wait | See note 5 |
| pthread_create | lthread_create | See notes 2, 3 |
| pthread_detach | lthread_detach | See note 4 |
| pthread_equal | | |
| pthread_exit | lthread_exit | |
| pthread_getspecific | lthread_getspecific | |
| pthread_getcpuclockid | | |
| pthread_join | lthread_join | |
| pthread_key_create | lthread_key_create | |
| pthread_key_delete | lthread_key_delete | |
| pthread_mutex_destroy | lthread_mutex_destroy | |
| pthread_mutex_init | lthread_mutex_init | |

Continued on next page

Table 47.1 – continued from previous page

| Pthread function | L-thread function | Notes |
|----------------------------|-----------------------|-------------------|
| pthread_mutex_lock | lthread_mutex_lock | See note 6 |
| pthread_mutex_trylock | lthread_mutex_trylock | See note 6 |
| pthread_mutex_timedlock | | |
| pthread_mutex_unlock | lthread_mutex_unlock | |
| pthread_once | | |
| pthread_rwlock_destroy | | |
| pthread_rwlock_init | | |
| pthread_rwlock_rdlock | | |
| pthread_rwlock_timedrdlock | | |
| pthread_rwlock_timedwrlock | | |
| pthread_rwlock_tryrdlock | | |
| pthread_rwlock_trywrlock | | |
| pthread_rwlock_unlock | | |
| pthread_rwlock_wrlock | | |
| pthread_self | lthread_current | |
| pthread_setspecific | lthread_setspecific | |
| pthread_spin_init | | See note 10 |
| pthread_spin_destroy | | See note 10 |
| pthread_spin_lock | | See note 10 |
| pthread_spin_trylock | | See note 10 |
| pthread_spin_unlock | | See note 10 |
| pthread_cancel | lthread_cancel | |
| pthread_setcancelstate | | |
| pthread_setcanceltype | | |
| pthread_testcancel | | |
| pthread_getschedparam | | |
| pthread_setschedparam | | |
| pthread_yield | lthread_yield | See note 7 |
| pthread_setaffinity_np | lthread_set_affinity | See notes 2, 3, 8 |
| | lthread_sleep | See note 9 |
| | lthread_sleep_clks | See note 9 |

Note 1:

Neither lthread signal nor broadcast may be called concurrently by L-threads running on different schedulers, although multiple L-threads running in the same scheduler may freely perform signal or broadcast operations. L-threads running on the same or different schedulers may always safely wait on a condition variable.

Note 2:

Pthread attributes may be used to affinitize a pthread with a cpu-set. The L-thread subsystem does not support a cpu-set. An L-thread may be affinitized only with a single CPU at any time.

Note 3:

If an L-thread is intended to run on a different NUMA node than the node that creates the thread then, when calling `lthread_create()` it is advantageous to specify the destination core as a parameter of `lthread_create()`. See *Memory allocation and NUMA awareness* for details.

Note 4:

An L-thread can only detach itself, and cannot detach other L-threads.

Note 5:

A wait operation on a pthread condition variable is always associated with and protected by a mutex which must be owned by the thread at the time it invokes `pthread_wait()`. By contrast L-thread condition variables are thread safe (for waiters) and do not use an associated mutex. Multiple L-threads (including L-threads running on other schedulers) can safely wait on a L-thread condition variable. As a consequence the performance of an L-thread condition variables is typically an order of magnitude faster than its pthread counterpart.

Note 6:

Recursive locking is not supported with L-threads, attempts to take a lock recursively will be detected and rejected.

Note 7:

`lthread_yield()` will save the current context, insert the current thread to the back of the ready queue, and resume the next ready thread. Yielding increases ready queue backlog, see [Ready queue backlog](#) for more details about the implications of this.

N.B. The context switch time as measured from immediately before the call to `lthread_yield()` to the point at which the next ready thread is resumed, can be an order of magnitude faster than the same measurement for `pthread_yield`.

Note 8:

`lthread_set_affinity()` is similar to a yield apart from the fact that the yielding thread is inserted into a peer ready queue of another scheduler. The peer ready queue is actually a separate thread safe queue, which means that threads appearing in the peer ready queue can jump any backlog in the local ready queue on the destination scheduler.

The context switch time as measured from the time just before the call to `lthread_set_affinity()` to just after the same thread is resumed on the new scheduler can be orders of magnitude faster than the same measurement for `pthread_setaffinity_np()`.

Note 9:

Although there is no `pthread_sleep()` function, `lthread_sleep()` and `lthread_sleep_clks()` can be used wherever `sleep()`, `usleep()` or `nanosleep()` might ordinarily be used. The L-thread sleep functions suspend the current thread, start an `rte_timer` and resume the thread when the timer matures. The `rte_timer_manage()` entry point is called on every pass of the scheduler loop. This means that the worst case jitter on timer expiry is determined by the longest period between context switches of any running L-threads.

In a synthetic test with many threads sleeping and resuming then the measured jitter is typically orders of magnitude lower than the same measurement made for `nanosleep()`.

Note 10:

Spin locks are not provided because they are problematical in a cooperative environment, see [Locks and spinlocks](#) for a more detailed discussion on how to avoid spin locks.

Thread local storage

Of the three L-thread local storage options the simplest and most efficient is storing a single application data pointer in the L-thread struct.

The `PER_LTHREAD` macros involve a run time computation to obtain the address of the variable being saved/retrieved and also require that the accesses are de-referenced via a pointer. This means that code that has used `RTE_PER_LCORE` macros being ported to L-threads might need some slight adjustment (see [Thread local storage](#) for hints about porting code that makes use of thread local storage).

The get/set specific APIs are consistent with their pthread counterparts both in use and in performance.

Memory allocation and NUMA awareness

All memory allocation is from DPDK huge pages, and is NUMA aware. Each scheduler maintains its own caches of objects: lthreads, their stacks, TLS, mutexes and condition variables. These caches are implemented as unbounded lock free MPSC queues. When objects are created they are always allocated from the caches on the local core (current EAL thread).

If an L-thread has been affinity to a different scheduler, then it can always safely free resources to the caches from which they originated (because the caches are MPSC queues).

If the L-thread has been affinity to a different NUMA node then the memory resources associated with it may incur longer access latency.

The commonly used pattern of setting affinity on entry to a thread after it has started, means that memory allocation for both the stack and TLS will have been made from caches on the NUMA node on which the threads creator is running. This has the side effect that access latency will be sub-optimal after affinity.

This side effect can be mitigated to some extent (although not completely) by specifying the destination CPU as a parameter of `lthread_create()` this causes the L-thread's stack and TLS to be allocated when it is first scheduled on the destination scheduler, if the destination is on another NUMA node it results in a more optimal memory allocation.

Note that the lthread struct itself remains allocated from memory on the creating node, this is unavoidable because an L-thread is known everywhere by the address of this struct.

Object cache sizing

The per lcore object caches pre-allocate objects in bulk whenever a request to allocate an object finds a cache empty. By default 100 objects are pre-allocated, this is defined by `LTHREAD_PREALLOC` in the public API header file `lthread_api.h`. This means that the caches constantly grow to meet system demand.

In the present implementation there is no mechanism to reduce the cache sizes if system demand reduces. Thus the caches will remain at their maximum extent indefinitely.

A consequence of the bulk pre-allocation of objects is that every 100 (default value) additional new object create operations results in a call to `rte_malloc()`. For creation of objects such as L-threads, which trigger the allocation of even more objects (i.e. their stacks and TLS) then this can cause outliers in scheduling performance.

If this is a problem the simplest mitigation strategy is to dimension the system, by setting the bulk object pre-allocation size to some large number that you do not expect to be exceeded. This means the caches will be populated once only, the very first time a thread is created.

Ready queue backlog

One of the more subtle performance considerations is managing the ready queue backlog. The fewer threads that are waiting in the ready queue then the faster any particular thread will get serviced.

In a naive L-thread application with N L-threads simply looping and yielding, this backlog will always be equal to the number of L-threads, thus the cost of a yield to a particular L-thread will be N times the context switch time.

This side effect can be mitigated by arranging for threads to be suspended and wait to be resumed, rather than polling for work by constantly yielding. Blocking on a mutex or condition variable or even more obviously having a thread sleep if it has a low frequency workload are all mechanisms by which a thread can be excluded from the ready queue until it really does need to be run. This can have a significant positive impact on performance.

Initialization, shutdown and dependencies

The L-thread subsystem depends on DPDK for huge page allocation and depends on the `rte_timer` subsystem. The DPDK EAL initialization and `rte_timer_subsystem_init()` **MUST** be completed before the L-thread sub system can be used.

Thereafter initialization of the L-thread subsystem is largely transparent to the application. Constructor functions ensure that global variables are properly initialized. Other than global variables each scheduler is initialized independently the first time that an L-thread is created by a particular EAL thread.

If the schedulers are to be run as isolated and independent schedulers, with no intention that L-threads running on different schedulers will migrate between schedulers or synchronize with L-threads running on other schedulers, then initialization consists simply of creating an L-thread, and then running the L-thread scheduler.

If there will be interaction between L-threads running on different schedulers, then it is important that the starting of schedulers on different EAL threads is synchronized.

To achieve this an additional initialization step is necessary, this is simply to set the number of schedulers by calling the API function `lthread_num_schedulers_set(n)`, where `n` is the number of EAL threads that will run L-thread schedulers. Setting the number of schedulers to a number greater than 0 will cause all schedulers to wait until the others have started before beginning to schedule L-threads.

The L-thread scheduler is started by calling the function `lthread_run()` and should be called from the EAL thread and thus become the main loop of the EAL thread.

The function `lthread_run()`, will not return until all threads running on the scheduler have exited, and the scheduler has been explicitly stopped by calling `lthread_scheduler_shutdown(lcore)` or `lthread_scheduler_shutdown_all()`.

All these function do is tell the scheduler that it can exit when there are no longer any running L-threads, neither function forces any running L-thread to terminate. Any desired application

shutdown behavior must be designed and built into the application to ensure that L-threads complete in a timely manner.

Important Note: It is assumed when the scheduler exits that the application is terminating for good, the scheduler does not free resources before exiting and running the scheduler a subsequent time will result in undefined behavior.

47.5.3 Porting legacy code to run on L-threads

Legacy code originally written for a pthread environment may be ported to L-threads if the considerations about differences in scheduling policy, and constraints discussed in the previous sections can be accommodated.

This section looks in more detail at some of the issues that may have to be resolved when porting code.

pthread API compatibility

The first step is to establish exactly which pthread APIs the legacy application uses, and to understand the requirements of those APIs. If there are corresponding L-thread APIs, and where the default pthread functionality is used by the application then, notwithstanding the other issues discussed here, it should be feasible to run the application with L-threads. If the legacy code modifies the default behavior using attributes then it may be necessary to make some adjustments to eliminate those requirements.

Blocking system API calls

It is important to understand what other system services the application may be using, bearing in mind that in a cooperatively scheduled environment a thread cannot block without stalling the scheduler and with it all other cooperative threads. Any kind of blocking system call, for example file or socket IO, is a potential problem, a good tool to analyze the application for this purpose is the `strace` utility.

There are many strategies to resolve these kind of issues, each with its merits. Possible solutions include:

- Adopting a polled mode of the system API concerned (if available).
- Arranging for another core to perform the function and synchronizing with that core via constructs that will not block the L-thread.
- Affinitizing the thread to another scheduler devoted (as a matter of policy) to handling threads wishing to make blocking calls, and then back again when finished.

Locks and spinlocks

Locks and spinlocks are another source of blocking behavior that for the same reasons as system calls will need to be addressed.

If the application design ensures that the contending L-threads will always run on the same scheduler then it is probably safe to remove locks and spin locks completely.

The only exception to the above rule is if for some reason the code performs any kind of context switch whilst holding the lock (e.g. `yield`, `sleep`, or block on a different lock, or on a condition variable). This will need to be determined before deciding to eliminate a lock.

If a lock cannot be eliminated then an L-thread mutex can be substituted for either kind of lock.

An L-thread blocking on an L-thread mutex will be suspended and will cause another ready L-thread to be resumed, thus not blocking the scheduler. When default behavior is required, it can be used as a direct replacement for a pthread mutex lock.

Spin locks are typically used when lock contention is likely to be rare and where the period during which the lock may be held is relatively short. When the contending L-threads are running on the same scheduler then an L-thread blocking on a spin lock will enter an infinite loop stopping the scheduler completely (see *Infinite loops* below).

If the application design ensures that contending L-threads will always run on different schedulers then it might be reasonable to leave a short spin lock that rarely experiences contention in place.

If after all considerations it appears that a spin lock can neither be eliminated completely, replaced with an L-thread mutex, or left in place as is, then an alternative is to loop on a flag, with a call to `lthread_yield()` inside the loop (n.b. if the contending L-threads might ever run on different schedulers the flag will need to be manipulated atomically).

Spinning and yielding is the least preferred solution since it introduces ready queue backlog (see also *Ready queue backlog*).

Sleeps and delays

Yet another kind of blocking behavior (albeit momentary) are delay functions like `sleep()`, `usleep()`, `nanosleep()` etc. All will have the consequence of stalling the L-thread scheduler and unless the delay is very short (e.g. a very short `nanosleep`) calls to these functions will need to be eliminated.

The simplest mitigation strategy is to use the L-thread sleep API functions, of which two variants exist, `lthread_sleep()` and `lthread_sleep_clks()`. These functions start an `rte_timer` against the L-thread, suspend the L-thread and cause another ready L-thread to be resumed. The suspended L-thread is resumed when the `rte_timer` matures.

Infinite loops

Some applications have threads with loops that contain no inherent rescheduling opportunity, and rely solely on the OS time slicing to share the CPU. In a cooperative environment this will stop everything dead. These kind of loops are not hard to identify, in a debug session you will find the debugger is always stopping in the same loop.

The simplest solution to this kind of problem is to insert an explicit `lthread_yield()` or `lthread_sleep()` into the loop. Another solution might be to include the function performed by the loop into the execution path of some other loop that does in fact yield, if this is possible.

Thread local storage

If the application uses thread local storage, the use case should be studied carefully.

In a legacy pthread application either or both the `__thread` prefix, or the pthread set/get specific APIs may have been used to define storage local to a pthread.

In some applications it may be a reasonable assumption that the data could or in fact most likely should be placed in L-thread local storage.

If the application (like many DPDK applications) has assumed a certain relationship between a pthread and the CPU to which it is affinitized, there is a risk that thread local storage may have been used to save some data items that are correctly logically associated with the CPU, and others items which relate to application context for the thread. Only a good understanding of the application will reveal such cases.

If the application requires an that an L-thread is to be able to move between schedulers then care should be taken to separate these kinds of data, into per lcore, and per L-thread storage. In this way a migrating thread will bring with it the local data it needs, and pick up the new logical core specific values from pthread local storage at its new home.

47.5.4 Pthread shim

A convenient way to get something working with legacy code can be to use a shim that adapts pthread API calls to the corresponding L-thread ones. This approach will not mitigate any of the porting considerations mentioned in the previous sections, but it will reduce the amount of code churn that would otherwise been involved. It is a reasonable approach to evaluate L-threads, before investing effort in porting to the native L-thread APIs.

Overview

The L-thread subsystem includes an example pthread shim. This is a partial implementation but does contain the API stubs needed to get basic applications running. There is a simple “hello world” application that demonstrates the use of the pthread shim.

A subtlety of working with a shim is that the application will still need to make use of the genuine pthread library functions, at the very least in order to create the EAL threads in which the L-thread schedulers will run. This is the case with DPDK initialization, and exit.

To deal with the initialization and shutdown scenarios, the shim is capable of switching on or off its adaptor functionality, an application can control this behavior by the calling the function `pt_override_set()`. The default state is disabled.

The pthread shim uses the dynamic linker loader and saves the loaded addresses of the genuine pthread API functions in an internal table, when the shim functionality is enabled it performs the adaptor function, when disabled it invokes the genuine pthread function.

The function `pthread_exit()` has additional special handling. The standard system header file `pthread.h` declares `pthread_exit()` with `__attribute__((noreturn))` this is an optimization that is possible because the pthread is terminating and this enables the compiler to omit the normal handling of stack and protection of registers since the function is not expected to return, and in fact the thread is being destroyed. These optimizations are applied in both the callee and the caller of the `pthread_exit()` function.

In our cooperative scheduling environment this behavior is inadmissible. The pthread is the L-thread scheduler thread, and, although an L-thread is terminating, there must be a return to the scheduler in order that the system can continue to run. Further, returning from a function with attribute `noreturn` is invalid and may result in undefined behavior.

The solution is to redefine the `pthread_exit` function with a macro, causing it to be mapped to a stub function in the shim that does not have the `noreturn` attribute. This macro is defined in the file `pthread_shim.h`. The stub function is otherwise no different than any of the other stub functions in the shim, and will switch between the real `pthread_exit()` function or the `lthread_exit()` function as required. The only difference is that the mapping to the stub by macro substitution.

A consequence of this is that the file `pthread_shim.h` must be included in legacy code wishing to make use of the shim. It also means that dynamic linkage of a pre-compiled binary that did not include `pthread_shim.h` is not supported.

Given the requirements for porting legacy code outlined in *Porting legacy code to run on L-threads* most applications will require at least some minimal adjustment and recompilation to run on L-threads so pre-compiled binaries are unlikely to be met in practice.

In summary the shim approach adds some overhead but can be a useful tool to help establish the feasibility of a code reuse project. It is also a fairly straightforward task to extend the shim if necessary.

Note: Bearing in mind the preceding discussions about the impact of making blocking calls then switching the shim in and out on the fly to invoke any pthread API this might block is something that should typically be avoided.

Building and running the pthread shim

The shim example application is located in the sample application in the performance-thread folder

To build and run the pthread shim example

1. Go to the example applications folder

```
export RTE_SDK=/path/to/rte_sdk
cd ${RTE_SDK}/examples/performance-thread/pthread_shim
```

2. Set the target (a default target is used if not specified). For example:

```
export RTE_TARGET=x86_64-native-linux-gcc
```

See the DPDK Getting Started Guide for possible `RTE_TARGET` values.

3. Build the application:

```
make
```

4. To run the `pthread_shim` example

```
lthread-pthread-shim -c core_mask -n number_of_channels
```

47.5.5 L-thread Diagnostics

When debugging you must take account of the fact that the L-threads are run in a single pthread. The current scheduler is defined by `RTE_PER_LCORE(this_sched)`, and the current lthread is stored at `RTE_PER_LCORE(this_sched)->current_lthread`. Thus on a breakpoint in a GDB session the current lthread can be obtained by displaying the pthread local variable `per_lcore_this_sched->current_lthread`.

Another useful diagnostic feature is the possibility to trace significant events in the life of an L-thread, this feature is enabled by changing the value of `LTHREAD_DIAG` from 0 to 1 in the file `lthread_diag_api.h`.

Tracing of events can be individually masked, and the mask may be programmed at run time. An unmasked event results in a callback that provides information about the event. The default callback simply prints trace information. The default mask is 0 (all events off) the mask can be modified by calling the function `lthread_diagnostic_set_mask()`.

It is possible register a user callback function to implement more sophisticated diagnostic functions. Object creation events (lthread, mutex, and condition variable) accept, and store in the created object, a user supplied reference value returned by the callback function.

The lthread reference value is passed back in all subsequent event callbacks, the mutex and APIs are provided to retrieve the reference value from mutexes and condition variables. This enables a user to monitor, count, or filter for specific events, on specific objects, for example to monitor for a specific thread signaling a specific condition variable, or to monitor on all timer events, the possibilities and combinations are endless.

The callback function can be set by calling the function `lthread_diagnostic_enable()` supplying a callback function pointer and an event mask.

Setting `LTHREAD_DIAG` also enables counting of statistics about cache and queue usage, and these statistics can be displayed by calling the function `lthread_diag_stats_display()`. This function also performs a consistency check on the caches and queues. The function should only be called from the master EAL thread after all slave threads have stopped and returned to the C main program, otherwise the consistency check will fail.

FEDERAL INFORMATION PROCESSING STANDARDS (FIPS) CRYPTODEV VALIDATION

48.1 Overview

Federal Information Processing Standards (FIPS) are publicly announced standards developed by the United States federal government for use in computer systems by non-military government agencies and government contractors.

This application is used to parse and perform symmetric cryptography computation to the NIST Cryptographic Algorithm Validation Program (CAVP) test vectors.

For an algorithm implementation to be listed on a cryptographic module validation certificate as an Approved security function, the algorithm implementation must meet all the requirements of FIPS 140-2 and must successfully complete the cryptographic algorithm validation process.

48.2 Limitations

- Only NIST CAVP request files are parsed by this application.
- The version of request file supported is `CAVS 21.0`
- If the header comment in a `.req` file does not contain a `Algo` tag i.e `AES`, `TDES`, `GCM` you need to manually add it into the header comment for example:

```
# VARIABLE KEY - KAT for CBC / # TDES VARIABLE KEY - KAT for CBC
```

- The application does not supply the test vectors. The user is expected to obtain the test vector files from [NIST website](#). To obtain the `.req` files you need to email a person from the NIST website and pay for the `.req` files. The `.rsp` files from the site can be used to validate and compare with the `.rsp` files created by the FIPS application.
- **Supported test vectors**
 - AES-CBC (128,192,256) - GFSbox, KeySbox, MCT, MMT
 - AES-GCM (128,192,256) - EncryptExtIV, Decrypt
 - AES-CCM (128) - VADT, VNT, VPT, VTT, DVPT
 - AES-CMAC (128) - Generate, Verify
 - HMAC (SHA1, SHA224, SHA256, SHA384, SHA512)
 - TDES-CBC (1 Key, 2 Keys, 3 Keys) - MMT, Monte, Permop, Subkey, Varkey, VarText

48.3 Application Information

If a `.req` is used as the input file after the application is finished running it will generate a response file or `.rsp`. Differences between the two files are, the `.req` file has missing information for instance if doing encryption you will not have the cipher text and that will be generated in the response file. Also if doing decryption it will not have the plain text until it finished the work and in the response file it will be added onto the end of each operation.

The application can be run with a `.rsp` file and what the outcome of that will be is it will add a extra line in the generated `.rsp` which should be the same as the `.rsp` used to run the application, this is useful for validating if the application has done the operation correctly.

48.4 Compiling the Application

- Compile Application

```
make -C examples/fips_validation
```

- Run `dos2unix` on the request files

```
dos2unix AES/req/*
dos2unix AES_GCM/req/*
dos2unix CCM/req/*
dos2unix CMAC/req/*
dos2unix HMAC/req/*
dos2unix TDES/req/*
```

48.5 Running the Application

The application requires a number of command line options:

```
./fips_validation [EAL options]
-- --req-file FILE_PATH/FOLDER_PATH
--rsp-file FILE_PATH/FOLDER_PATH
[--cryptodev DEVICE_NAME] [--cryptodev-id ID] [--path-is-folder]
```

where,

- `req-file`: The path of the request file or folder, separated by `path-is-folder` option.
- `rsp-file`: The path that the response file or folder is stored. separated by `path-is-folder` option.
- `cryptodev`: The name of the target DPDK Crypto device to be validated.
- `cryptodev-id`: The id of the target DPDK Crypto device to be validated.
- `path-is-folder`: If presented the application expects `req-file` and `rsp-file` are folder paths.

To run the application in linux environment to test one AES FIPS test data file for `crypto_aesni_mb` PMD, issue the command:

```
$ ./fips_validation --vdev crypto_aesni_mb --
--req-file /PATH/TO/REQUEST/FILE.req --rsp-file ./PATH/TO/RESPONSE/FILE.rsp
--cryptodev crypto_aesni_mb
```

To run the application in linux environment to test all AES-GCM FIPS test data files in one folder for crypto_aesni_gcm PMD, issue the command:

```
$ ./fips_validation --vdev crypto_aesni_gcm0 --  
--req-file /PATH/TO/REQUEST/FILE/FOLDER/  
--rsp-file ./PATH/TO/RESPONSE/FILE/FOLDER/  
--cryptodev-id 0 --path-is-folder
```

IPSEC SECURITY GATEWAY SAMPLE APPLICATION

The IPsec Security Gateway application is an example of a “real world” application using DPDK cryptodev framework.

49.1 Overview

The application demonstrates the implementation of a Security Gateway (not IPsec compliant, see the Constraints section below) using DPDK based on RFC4301, RFC4303, RFC3602 and RFC2404.

Internet Key Exchange (IKE) is not implemented, so only manual setting of Security Policies and Security Associations is supported.

The Security Policies (SP) are implemented as ACL rules, the Security Associations (SA) are stored in a table and the routing is implemented using LPM.

The application classifies the ports as *Protected* and *Unprotected*. Thus, traffic received on an Unprotected or Protected port is consider Inbound or Outbound respectively.

The application also supports complete IPsec protocol offload to hardware (Look aside crypto accelerator or using ethernet device). It also support inline ipsec processing by the supported ethernet device during transmission. These modes can be selected during the SA creation configuration.

In case of complete protocol offload, the processing of headers(ESP and outer IP header) is done by the hardware and the application does not need to add/remove them during out-bound/inbound processing.

For inline offloaded outbound traffic, the application will not do the LPM lookup for routing, as the port on which the packet has to be forwarded will be part of the SA. Security parameters will be configured on that port only, and sending the packet on other ports could result in unencrypted packets being sent out.

The Path for IPsec Inbound traffic is:

- Read packets from the port.
- Classify packets between IPv4 and ESP.
- Perform Inbound SA lookup for ESP packets based on their SPI.
- Perform Verification/Decryption (Not needed in case of inline ipsec).
- Remove ESP and outer IP header (Not needed in case of protocol offload).

- Inbound SP check using ACL of decrypted packets and any other IPv4 packets.
- Routing.
- Write packet to port.

The Path for the IPsec Outbound traffic is:

- Read packets from the port.
- Perform Outbound SP check using ACL of all IPv4 traffic.
- Perform Outbound SA lookup for packets that need IPsec protection.
- Add ESP and outer IP header (Not needed in case protocol offload).
- Perform Encryption/Digest (Not needed in case of inline ipsec).
- Routing.
- Write packet to port.

49.2 Constraints

- No IPv6 options headers.
- No AH mode.
- Supported algorithms: AES-CBC, AES-CTR, AES-GCM, 3DES-CBC, HMAC-SHA1 and NULL.
- Each SA must be handle by a unique lcore (*1 RX queue per port*).
- No chained mbufs.

49.3 Compiling the Application

To compile the sample application see [Compiling the Sample Applications](#).

The application is located in the `ipsec-secgw` sub-directory.

1. [Optional] Build the application for debugging: This option adds some extra flags, disables compiler optimizations and is verbose:

```
make DEBUG=1
```

49.4 Running the Application

The application has a number of command line options:

```
./build/ipsec-secgw [EAL options] --
    -p PORTMASK -P -u PORTMASK -j FRAMESIZE
    -l -w REPLAY_WINDOW_SIZE -e -a
    --config (port,queue,lcore) [, (port,queue,lcore)]
    --single-sa SAIDX
    --rxoffload MASK
    --txoffload MASK
    -f CONFIG_FILE_PATH
```

Where:

- `-p PORTMASK`: Hexadecimal bitmask of ports to configure.
- `-P`: *optional*. Sets all ports to promiscuous mode so that packets are accepted regardless of the packet's Ethernet MAC destination address. Without this option, only packets with the Ethernet MAC destination address set to the Ethernet address of the port are accepted (default is enabled).
- `-u PORTMASK`: hexadecimal bitmask of unprotected ports
- `-j FRAMESIZE`: *optional*. Enables jumbo frames with the maximum size specified as `FRAMESIZE`. If an invalid value is provided as `FRAMESIZE` then the default value 9000 is used.
- `-l`: enables code-path that uses `librte_ipsec`.
- `-w REPLAY_WINDOW_SIZE`: specifies the IPsec sequence number replay window size for each Security Association (available only with `librte_ipsec` code path).
- `-e`: enables Security Association extended sequence number processing (available only with `librte_ipsec` code path).
- `-a`: enables Security Association sequence number atomic behavior (available only with `librte_ipsec` code path).
- `--config (port,queue,lcore) [(port,queue,lcore)]`: determines which queues from which ports are mapped to which cores.
- `--single-sa SAIDX`: use a single SA for outbound traffic, bypassing the SP on both Inbound and Outbound. This option is meant for debugging/performance purposes.
- `--rxoffload MASK`: RX HW offload capabilities to enable/use on this port (bitmask of `DEV_RX_OFFLOAD_*` values). It is an optional parameter and allows user to disable some of the RX HW offload capabilities. By default all HW RX offloads are enabled.
- `--txoffload MASK`: TX HW offload capabilities to enable/use on this port (bitmask of `DEV_TX_OFFLOAD_*` values). It is an optional parameter and allows user to disable some of the TX HW offload capabilities. By default all HW TX offloads are enabled.
- `-f CONFIG_FILE_PATH`: the full path of text-based file containing all configuration items for running the application (See Configuration file syntax section below). `-f CONFIG_FILE_PATH` **must** be specified. **ONLY** the UNIX format configuration file is accepted.

The mapping of lcores to port/queues is similar to other l3fwd applications.

For example, given the following command line:

```
./build/ipsec-secgw -l 20,21 -n 4 --socket-mem 0,2048 \
  --vdev "crypto_null" -- -p 0xf -P -u 0x3 \
  --config="(0,0,20),(1,0,20),(2,0,21),(3,0,21)" \
  -f /path/to/config_file \
```

where each options means:

- The `-l` option enables cores 20 and 21.
- The `-n` option sets memory 4 channels.
- The `--socket-mem` to use 2GB on socket 1.

- The `--vdev "crypto_null"` option creates virtual NULL cryptodev PMD.
- The `-p` option enables ports (detected) 0, 1, 2 and 3.
- The `-P` option enables promiscuous mode.
- The `-u` option sets ports 1 and 2 as unprotected, leaving 2 and 3 as protected.
- The `--config` option enables one queue per port with the following mapping:

| Port | Queue | lcore | Description |
|------|-------|-------|--------------------------------------|
| 0 | 0 | 20 | Map queue 0 from port 0 to lcore 20. |
| 1 | 0 | 20 | Map queue 0 from port 1 to lcore 20. |
| 2 | 0 | 21 | Map queue 0 from port 2 to lcore 21. |
| 3 | 0 | 21 | Map queue 0 from port 3 to lcore 21. |

- The `-f /path/to/config_file` option enables the application read and parse the configuration file specified, and configures the application with a given set of SP, SA and Routing entries accordingly. The syntax of the configuration file will be explained below in more detail. Please **note** the parser only accepts UNIX format text file. Other formats such as DOS/MAC format will cause a parse error.

Refer to the *DPDK Getting Started Guide* for general information on running applications and the Environment Abstraction Layer (EAL) options.

The application would do a best effort to “map” crypto devices to cores, with hardware devices having priority. Basically, hardware devices if present would be assigned to a core before software ones. This means that if the application is using a single core and both hardware and software crypto devices are detected, hardware devices will be used.

A way to achieve the case where you want to force the use of virtual crypto devices is to whitelist the Ethernet devices needed and therefore implicitly blacklisting all hardware crypto devices.

For example, something like the following command line:

```
./build/ipsec-secgw -l 20,21 -n 4 --socket-mem 0,2048 \
-w 81:00.0 -w 81:00.1 -w 81:00.2 -w 81:00.3 \
--vdev "crypto_aesni_mb" --vdev "crypto_null" \
-- \
-p 0xf -P -u 0x3 --config="(0,0,20),(1,0,20),(2,0,21),(3,0,21)" \
-f sample.cfg
```

49.5 Configurations

The following sections provide the syntax of configurations to initialize your SP, SA, Routing and Neighbour tables. Configurations shall be specified in the configuration file to be passed to the application. The file is then parsed by the application. The successful parsing will result in the appropriate rules being applied to the tables accordingly.

49.5.1 Configuration File Syntax

As mention in the overview, the Security Policies are ACL rules. The application parsers the rules specified in the configuration file and passes them to the ACL table, and replicates them per socket in use.

Following are the configuration file syntax.

General rule syntax

The parse treats one line in the configuration file as one configuration item (unless the line concatenation symbol exists). Every configuration item shall follow the syntax of either SP, SA, Routing or Neighbour rules specified below.

The configuration parser supports the following special symbols:

- Comment symbol `#`. Any character from this symbol to the end of line is treated as comment and will not be parsed.
- Line concatenation symbol `\`. This symbol shall be placed in the end of the line to be concatenated to the line below. Multiple lines' concatenation is supported.

SP rule syntax

The SP rule syntax is shown as follows:

```
sp <ip_ver> <dir> esp <action> <priority> <src_ip> <dst_ip>
  <proto> <sport> <dport>
```

where each options means:

`<ip_ver>`

- IP protocol version
- Optional: No
- Available options:
 - *ipv4*: IP protocol version 4
 - *ipv6*: IP protocol version 6

`<dir>`

- The traffic direction
- Optional: No
- Available options:
 - *in*: inbound traffic
 - *out*: outbound traffic

`<action>`

- IPsec action
- Optional: No
- Available options:
 - *protect* `<SA_idx>`: the specified traffic is protected by SA rule with id `SA_idx`
 - *bypass*: the specified traffic traffic is bypassed
 - *discard*: the specified traffic is discarded

<priority>

- Rule priority
- Optional: Yes, default priority 0 will be used
- Syntax: *pri <id>*

<src_ip>

- The source IP address and mask
- Optional: Yes, default address 0.0.0.0 and mask of 0 will be used
- Syntax:
 - *src X.X.X.X/Y* for IPv4
 - *src XXXX:XXXX:XXXX:XXXX:XXXX:XXXX:XXXX:XXXX/Y* for IPv6

<dst_ip>

- The destination IP address and mask
- Optional: Yes, default address 0.0.0.0 and mask of 0 will be used
- Syntax:
 - *dst X.X.X.X/Y* for IPv4
 - *dst XXXX:XXXX:XXXX:XXXX:XXXX:XXXX:XXXX:XXXX/Y* for IPv6

<proto>

- The protocol start and end range
- Optional: yes, default range of 0 to 0 will be used
- Syntax: *proto X:Y*

<sport>

- The source port start and end range
- Optional: yes, default range of 0 to 0 will be used
- Syntax: *sport X:Y*

<dport>

- The destination port start and end range
- Optional: yes, default range of 0 to 0 will be used
- Syntax: *dport X:Y*

Example SP rules:

```
sp ipv4 out esp protect 105 pri 1 dst 192.168.115.0/24 sport 0:65535 \
dport 0:65535
```

```
sp ipv6 in esp bypass pri 1 dst 0000:0000:0000:0000:5555:5555:\
0000:0000/96 sport 0:65535 dport 0:65535
```

SA rule syntax

The successfully parsed SA rules will be stored in an array table.

The SA rule syntax is shown as follows:

```
sa <dir> <spi> <cipher_algo> <cipher_key> <auth_algo> <auth_key>
<mode> <src_ip> <dst_ip> <action_type> <port_id>
```

where each options means:

<dir>

- The traffic direction
- Optional: No
- Available options:
 - *in*: inbound traffic
 - *out*: outbound traffic

<spi>

- The SPI number
- Optional: No
- Syntax: unsigned integer number

<cipher_algo>

- Cipher algorithm
- Optional: Yes, unless <aead_algo> is not used
- Available options:
 - *null*: NULL algorithm
 - *aes-128-cbc*: AES-CBC 128-bit algorithm
 - *aes-256-cbc*: AES-CBC 256-bit algorithm
 - *aes-128-ctr*: AES-CTR 128-bit algorithm
 - *3des-cbc*: 3DES-CBC 192-bit algorithm
- Syntax: *cipher_algo* <your algorithm>

<cipher_key>

- Cipher key, NOT available when 'null' algorithm is used
- Optional: Yes, unless <aead_algo> is not used. Must be followed by <cipher_algo> option
- Syntax: Hexadecimal bytes (0x0-0xFF) concatenate by colon symbol ':'. The number of bytes should be as same as the specified cipher algorithm key size.

For example: *cipher_key* A1:B2:C3:D4:A1:B2:C3:D4:A1:B2:C3:D4: A1:B2:C3:D4

<auth_algo>

- Authentication algorithm

- Optional: Yes, unless <aead_algo> is not used
- Available options:
 - *null*: NULL algorithm
 - *sha1-hmac*: HMAC SHA1 algorithm

<auth_key>

- Authentication key, NOT available when 'null' or 'aes-128-gcm' algorithm is used.
- Optional: Yes, unless <aead_algo> is not used. Must be followed by <auth_algo> option
- Syntax: Hexadecimal bytes (0x0-0xFF) concatenate by colon symbol ':'. The number of bytes should be as same as the specified authentication algorithm key size.

For example: *auth_key A1:B2:C3:D4:A1:B2:C3:D4:A1:B2:C3:D4:A1:B2:C3:D4:A1:B2:C3:D4*

<aead_algo>

- AEAD algorithm
- Optional: Yes, unless <cipher_algo> and <auth_algo> are not used
- Available options:
 - *aes-128-gcm*: AES-GCM 128-bit algorithm
- Syntax: *cipher_algo <your algorithm>*

<aead_key>

- Cipher key, NOT available when 'null' algorithm is used
- Optional: Yes, unless <cipher_algo> and <auth_algo> are not used. Must be followed by <aead_algo> option
- Syntax: Hexadecimal bytes (0x0-0xFF) concatenate by colon symbol ':'. The number of bytes should be as same as the specified AEAD algorithm key size.

For example: *aead_key A1:B2:C3:D4:A1:B2:C3:D4:A1:B2:C3:D4: A1:B2:C3:D4*

<mode>

- The operation mode
- Optional: No
- Available options:
 - *ipv4-tunnel*: Tunnel mode for IPv4 packets
 - *ipv6-tunnel*: Tunnel mode for IPv6 packets
 - *transport*: transport mode
- Syntax: mode XXX

<src_ip>

- The source IP address. This option is not available when transport mode is used
- Optional: Yes, default address 0.0.0.0 will be used
- Syntax:

- *src X.X.X.X* for IPv4
- *src XXXX:XXXX:XXXX:XXXX:XXXX:XXXX:XXXX:XXXX* for IPv6

<dst_ip>

- The destination IP address. This option is not available when transport mode is used
- Optional: Yes, default address 0.0.0.0 will be used
- Syntax:
 - *dst X.X.X.X* for IPv4
 - *dst XXXX:XXXX:XXXX:XXXX:XXXX:XXXX:XXXX:XXXX* for IPv6

<type>

- Action type to specify the security action. This option specify the SA to be performed with look aside protocol offload to HW accelerator or protocol offload on ethernet device or inline crypto processing on the ethernet device during transmission.
- Optional: Yes, default type *no-offload*
- Available options:
 - *lookaside-protocol-offload*: look aside protocol offload to HW accelerator
 - *inline-protocol-offload*: inline protocol offload on ethernet device
 - *inline-crypto-offload*: inline crypto processing on ethernet device
 - *no-offload*: no offloading to hardware

<port_id>

- Port/device ID of the ethernet/crypto accelerator for which the SA is configured. For *inline-crypto-offload* and *inline-protocol-offload*, this port will be used for routing. The routing table will not be referred in this case.
- Optional: No, if *type* is not *no-offload*
- Syntax:
 - *port_id X X* is a valid device number in decimal

Example SA rules:

```
sa out 5 cipher_algo null auth_algo null mode ipv4-tunnel \
src 172.16.1.5 dst 172.16.2.5

sa out 25 cipher_algo aes-128-cbc \
cipher_key c3:c3:c3:c3:c3:c3:c3:c3:c3:c3:c3:c3:c3:c3 \
auth_algo sha1-hmac \
auth_key c3:c3:c3:c3:c3:c3:c3:c3:c3:c3:c3:c3:c3:c3:c3:c3:c3 \
mode ipv6-tunnel \
src 1111:1111:1111:1111:1111:1111:1111:5555 \
dst 2222:2222:2222:2222:2222:2222:2222:5555

sa in 105 aead_algo aes-128-gcm \
aead_key de:ad:be:ef:de:ad:be:ef:de:ad:be:ef:de:ad:be:ef \
mode ipv4-tunnel src 172.16.2.5 dst 172.16.1.5

sa out 5 cipher_algo aes-128-cbc cipher_key 0:0:0:0:0:0:0:0:0:0:0:0:0:0 \
```

```

auth_algo sha1-hmac auth_key 0:0:0:0:0:0:0:0:0:0:0:0:0:0:0:0:0 \
mode ipv4-tunnel src 172.16.1.5 dst 172.16.2.5 \
type lookaside-protocol-offload port_id 4

sa in 35 aead_algo aes-128-gcm \
aead_key de:ad:be:ef:de:ad:be:ef:de:ad:be:ef:de:ad:be:ef:de:ad:be:ef \
mode ipv4-tunnel src 172.16.2.5 dst 172.16.1.5 \
type inline-crypto-offload port_id 0

```

Routing rule syntax

The Routing rule syntax is shown as follows:

```
rt <ip_ver> <src_ip> <dst_ip> <port>
```

where each options means:

<ip_ver>

- IP protocol version
- Optional: No
- Available options:
 - *ipv4*: IP protocol version 4
 - *ipv6*: IP protocol version 6

<src_ip>

- The source IP address and mask
- Optional: Yes, default address 0.0.0.0 and mask of 0 will be used
- Syntax:
 - *src X.X.X.X/Y* for IPv4
 - *src XXXX:XXXX:XXXX:XXXX:XXXX:XXXX:XXXX:XXXX/Y* for IPv6

<dst_ip>

- The destination IP address and mask
- Optional: Yes, default address 0.0.0.0 and mask of 0 will be used
- Syntax:
 - *dst X.X.X.X/Y* for IPv4
 - *dst XXXX:XXXX:XXXX:XXXX:XXXX:XXXX:XXXX:XXXX/Y* for IPv6

<port>

- The traffic output port id
- Optional: yes, default output port 0 will be used
- Syntax: *port X*

Example SP rules:

```

rt ipv4 dst 172.16.1.5/32 port 0

rt ipv6 dst 1111:1111:1111:1111:1111:1111:1111:5555/116 port 0

```

Neighbour rule syntax

The Neighbour rule syntax is shown as follows:

```
neigh <port> <dst_mac>
```

where each options means:

<port>

- The output port id
- Optional: No
- Syntax: *port X*

<dst_mac>

- The destination ethernet address to use for that port
- Optional: No
- Syntax:
 - *XX:XX:XX:XX:XX:XX*

Example Neighbour rules:

```
neigh port 0 DE:AD:BE:EF:01:02
```

49.6 Test directory

The test directory contains scripts for testing the various encryption algorithms.

The purpose of the scripts is to automate ipsec-secgw testing using another system running linux as a DUT.

The user must setup the following environment variables:

- `SGW_PATH`: path to the ipsec-secgw binary to test.
- `REMOTE_HOST`: IP address/hostname of the DUT.
- `REMOTE_IFACE`: interface name for the test-port on the DUT.
- `ETH_DEV`: ethernet device to be used on the SUT by DPDK ('-w <pci-id>')

Also the user can optionally setup:

- `SGW_LCORE`: lcore to run ipsec-secgw on (default value is 0)
- `CRYPTO_DEV`: crypto device to be used ('-w <pci-id>'). If none specified appropriate vdevs will be created by the script

Note that most of the tests require the appropriate crypto PMD/device to be available.

49.6.1 Server configuration

Two servers are required for the tests, SUT and DUT.

Make sure the user from the SUT can ssh to the DUT without entering the password. To enable this feature keys must be setup on the DUT.

`ssh-keygen` will make a private & public key pair on the SUT.

`ssh-copy-id <user name>@<target host name>` on the SUT will copy the public key to the DUT. It will ask for credentials so that it can upload the public key.

The SUT and DUT are connected through at least 2 NIC ports.

One NIC port is expected to be managed by linux on both machines and will be used as a control path.

The second NIC port (`test-port`) should be bound to DPDK on the SUT, and should be managed by linux on the DUT.

The script starts `ipsec-secgw` with 2 NIC devices: `test-port` and `tap vdev`.

It then configures the local tap interface and the remote interface and IPsec policies in the following way:

Traffic going over the `test-port` in both directions has to be protected by IPsec.

Traffic going over the TAP port in both directions does not have to be protected.

i.e:

DUT OS(NIC1)–(IPsec)–>(NIC1)ipsec-secgw(TAP)–(plain)–>(TAP)SUT OS

SUT OS(TAP)–(plain)–>(TAP)ipsec-secgw(NIC1)–(IPsec)–>(NIC1)DUT OS

It then tries to perform some data transfer using the scheme described above.

49.6.2 usage

In the `ipsec-secgw/test` directory

to run one test for IPv4 or IPv6

```
/bin/bash linux_test(4|6).sh <ipsec_mode>
```

to run all tests for IPv4 or IPv6

```
/bin/bash run_test.sh -4|-6
```

For the list of available modes please refer to `run_test.sh`.

LOOP-BACK SAMPLE APPLICATION USING BASEBAND DEVICE (BBDEV)

The baseband sample application is a simple example of packet processing using the Data Plane Development Kit (DPDK) for baseband workloads using Wireless Device abstraction library.

50.1 Overview

The Baseband device sample application performs a loop-back operation using a baseband device capable of transceiving data packets. A packet is received on an ethernet port -> enqueued for downlink baseband operation -> dequeued from the downlink baseband device -> enqueued for uplink baseband operation -> dequeued from the baseband device -> then the received packet is compared with the baseband operations output. Then it's looped back to the ethernet port.

- The MAC header is preserved in the packet

50.2 Limitations

- Only one baseband device and one ethernet port can be used.

50.3 Compiling the Application

1. DPDK needs to be built with `baseband_turbo_sw` PMD driver enabled along with `FLEXRAN SDK` Libraries. Refer to *SW Turbo Poll Mode Driver* documentation for more details on this.

2. Go to the example directory:

```
export RTE_SDK=/path/to/rte_sdk
cd ${RTE_SDK}/examples/bbdev_app
```

3. Set the target (a default target is used if not specified). For example:

```
export RTE_TARGET=x86_64-native-linux-gcc
```

See the *DPDK Getting Started Guide* for possible `RTE_TARGET` values.

4. Build the application:

```
make
```

50.4 Running the Application

The application accepts a number of command line options:

```
$ ./build/bbdev [EAL options] -- [-e ENCODING_CORES] [-d DECODING_CORES] /
[-p ETH_PORT_ID] [-b BBDEV_ID]
```

where:

- e ENCODING_CORES: hexmask for encoding lcores (default = 0x2)
- d DECODING_CORES: hexmask for decoding lcores (default = 0x4)
- p ETH_PORT_ID: ethernet port ID (default = 0)
- b BBDEV_ID: BBDev ID (default = 0)

The application requires that baseband devices is capable of performing the specified baseband operation are available on application initialization. This means that HW baseband device/s must be bound to a DPDK driver or a SW baseband device/s (virtual BBdev) must be created (using `-vdev`).

To run the application in linux environment with the `turbo_sw` baseband device using the whitelisted port running on 1 encoding lcore and 1 decoding lcore issue the command:

```
$ ./build/bbdev --vdev='baseband_turbo_sw' -w <NIC0PCIADDR> -c 0x38 --socket-mem=2,2 \
--file-prefix=bbdev -- -e 0x10 -d 0x20
```

where, `NIC0PCIADDR` is the PCI address of the Rx port

This command creates one virtual bbdev devices `baseband_turbo_sw` where the device gets linked to a corresponding ethernet port as whitelisted by the parameter `-w`. 3 cores are allocated to the application, and assigned as:

- core 3 is the master and used to print the stats live on screen,
- core 4 is the encoding lcore performing Rx and Turbo Encode operations
- core 5 is the downlink lcore performing Turbo Decode, validation and Tx operations

Refer to the *DPDK Getting Started Guide* for general information on running applications and the Environment Abstraction Layer (EAL) options.

50.5 Using Packet Generator with baseband device sample application

To allow the bbdev sample app to do the loopback, an influx of traffic is required. This can be done by using DPDK Pktgen to burst traffic on two ethernet ports, and it will print the transmitted along with the looped-back traffic on Rx ports. Executing the command below will generate traffic on the two whitelisted ethernet ports.

```
$ ./pktgen-3.4.0/app/x86_64-native-linux-gcc/pktgen -c 0x3 \
--socket-mem=1,1 --file-prefix=pg -w <NIC1PCIADDR> -- -m 1.0 -P
```

where:

- `-c COREMASK`: A hexadecimal bitmask of cores to run on
- `--socket-mem`: Memory to allocate on specific sockets (use comma separated values)

- `--file-prefix`: Prefix for hugepage filenames
- `-w <NIC1PCIADDR>`: Add a PCI device in white list. The argument format is `<[domain:]bus:devid.func>`.
- `-m <string>`: Matrix for mapping ports to logical cores.
- `-P`: PROMISCUOUS mode

Refer to *The Pktgen Application* documents for general information on running Pktgen with DPDK applications.