



DPDK

DATA PLANE DEVELOPMENT KIT

Getting Started Guide for Linux

Release 2.2.0

January 16, 2016

1	Introduction	1
1.1	Documentation Roadmap	1
2	System Requirements	2
2.1	BIOS Setting Prerequisite on x86	2
2.2	Compilation of the DPDK	2
2.3	Running DPDK Applications	3
3	Compiling the DPDK Target from Source	7
3.1	Install the DPDK and Browse Sources	7
3.2	Installation of DPDK Target Environments	7
3.3	Browsing the Installed DPDK Environment Target	8
3.4	Loading Modules to Enable Userspace IO for DPDK	9
3.5	Loading VFIO Module	9
3.6	Binding and Unbinding Network Ports to/from the Kernel Modules	9
4	Compiling and Running Sample Applications	11
4.1	Compiling a Sample Application	11
4.2	Running a Sample Application	12
4.3	Additional Sample Applications	14
4.4	Additional Test Applications	14
5	Enabling Additional Functionality	15
5.1	High Precision Event Timer (HPET) Functionality	15
5.2	Running DPDK Applications Without Root Privileges	16
5.3	Power Management and Power Saving Functionality	16
5.4	Using Linux Core Isolation to Reduce Context Switches	17
5.5	Loading the DPDK KNI Kernel Module	17
5.6	Using Linux IOMMU Pass-Through to Run DPDK with Intel® VT-d	17
5.7	High Performance of Small Packets on 40G NIC	17
6	Quick Start Setup Script	19
6.1	Script Organization	19
6.2	Use Cases	20
6.3	Applications	22
7	How to get best performance with NICs on Intel platforms	24
7.1	Hardware and Memory Requirements	24
7.2	Configurations before running DPDK	26
7.3	Example of getting best performance for an Intel NIC	27

INTRODUCTION

This document contains instructions for installing and configuring the Intel® Data Plane Development Kit (DPDK) software. It is designed to get customers up and running quickly. The document describes how to compile and run a DPDK application in a Linux application (linuxapp) environment, without going deeply into detail.

1.1 Documentation Roadmap

The following is a list of DPDK documents in the suggested reading order:

- Release Notes: Provides release-specific information, including supported features, limitations, fixed issues, known issues and so on. Also, provides the answers to frequently asked questions in FAQ format.
- Getting Started Guide (this document): Describes how to install and configure the DPDK; designed to get users up and running quickly with the software.
- Programmer's Guide: Describes:
 - The software architecture and how to use it (through examples), specifically in a Linux application (linuxapp) environment
 - The content of the DPDK, the build system (including the commands that can be used in the root DPDK Makefile to build the development kit and an application) and guidelines for porting an application
 - Optimizations used in the software and those that should be considered for new development

A glossary of terms is also provided.

- API Reference: Provides detailed information about DPDK functions, data structures and other programming constructs.
- Sample Applications User Guide: Describes a set of sample applications. Each chapter describes a sample application that showcases specific functionality and provides instructions on how to compile, run and use the sample application.

SYSTEM REQUIREMENTS

This chapter describes the packages required to compile the DPDK.

Note: If the DPDK is being used on an Intel® Communications Chipset 89xx Series platform, please consult the *Intel® Communications Chipset 89xx Series Software for Linux Getting Started Guide*.

2.1 BIOS Setting Prerequisite on x86

For the majority of platforms, no special BIOS settings are needed to use basic DPDK functionality. However, for additional HPET timer and power management functionality, and high performance of small packets on 40G NIC, BIOS setting changes may be needed. Consult the section on *Enabling Additional Functionality* for more information on the required changes.

2.2 Compilation of the DPDK

Required Tools:

Note: Testing has been performed using Fedora 18. The setup commands and installed packages needed on other systems may be different. For details on other Linux distributions and the versions tested, please consult the DPDK Release Notes.

- GNU `make`.
- `coreutils`: `cmp`, `sed`, `grep`, `arch`, etc.
- `gcc`: versions 4.5.x or later is recommended for `i686/x86_64`. Versions 4.8.x or later is recommended for `ppc_64` and `x86_x32` ABI. On some distributions, some specific compiler flags and linker flags are enabled by default and affect performance (`-fstack-protector`, for example). Please refer to the documentation of your distribution and to `gcc -dumpspecs`.
- `libc` headers (`glibc-devel.i686` / `libc6-dev-i386`; `glibc-devel.x86_64` for 64-bit compilation on Intel architecture; `glibc-devel.ppc64` for 64 bit IBM Power architecture;)
- Linux kernel headers or sources required to build kernel modules. (`kernel - devel.x86_64`; `kernel - devel.ppc64`)
- Additional packages required for 32-bit compilation on 64-bit systems are:

- glibc.i686, libgcc.i686, libstdc++.i686 and glibc-devel.i686 for Intel i686/x86_64;
- glibc.ppc64, libgcc.ppc64, libstdc++.ppc64 and glibc-devel.ppc64 for IBM ppc_64;

Note: x86_x32 ABI is currently supported with distribution packages only on Ubuntu higher than 13.10 or recent Debian distribution. The only supported compiler is gcc 4.8+.

Note: Python, version 2.6 or 2.7, to use various helper scripts included in the DPDK package.

Optional Tools:

- Intel® C++ Compiler (icc). For installation, additional libraries may be required. See the icc Installation Guide found in the Documentation directory under the compiler installation.
- IBM® Advance ToolChain for Powerlinux. This is a set of open source development tools and runtime libraries which allows users to take leading edge advantage of IBM's latest POWER hardware features on Linux. To install it, see the IBM official installation document.
- libpcap headers and libraries (libpcap-devel) to compile and use the libpcap-based poll-mode driver. This driver is disabled by default and can be enabled by setting `CONFIG_RTE_LIBRTE_PMD_PCAP=y` in the build time config file.

2.3 Running DPDK Applications

To run an DPDK application, some customization may be required on the target machine.

2.3.1 System Software

Required:

- Kernel version $\geq 2.6.34$

The kernel version in use can be checked using the command:

```
uname -r
```

- glibc ≥ 2.7 (for features related to cpuset)

The version can be checked using the `ldd --version` command.

- Kernel configuration

In the Fedora OS and other common distributions, such as Ubuntu, or Red Hat Enterprise Linux, the vendor supplied kernel configurations can be used to run most DPDK applications.

For other kernel builds, options which should be enabled for DPDK include:

- UIO support
- HUGETLBFS
- PROC_PAGE_MONITOR support

- HPET and HPET_MMAP configuration options should also be enabled if HPET support is required. See the section on *High Precision Event Timer (HPET) Functionality* for more details.

2.3.2 Use of Hugepages in the Linux Environment

Hugepage support is required for the large memory pool allocation used for packet buffers (the HUGETLBFS option must be enabled in the running kernel as indicated the previous section). By using hugepage allocations, performance is increased since fewer pages are needed, and therefore less Translation Lookaside Buffers (TLBs, high speed translation caches), which reduce the time it takes to translate a virtual page address to a physical page address. Without hugepages, high TLB miss rates would occur with the standard 4k page size, slowing performance.

Reserving Hugepages for DPDK Use

The allocation of hugepages should be done at boot time or as soon as possible after system boot to prevent memory from being fragmented in physical memory. To reserve hugepages at boot time, a parameter is passed to the Linux kernel on the kernel command line.

For 2 MB pages, just pass the hugepages option to the kernel. For example, to reserve 1024 pages of 2 MB, use:

```
hugepages=1024
```

For other hugepage sizes, for example 1G pages, the size must be specified explicitly and can also be optionally set as the default hugepage size for the system. For example, to reserve 4G of hugepage memory in the form of four 1G pages, the following options should be passed to the kernel:

```
default_hugepagesz=1G hugepagesz=1G hugepages=4
```

Note: The hugepage sizes that a CPU supports can be determined from the CPU flags on Intel architecture. If `pse` exists, 2M hugepages are supported; if `pdpe1gb` exists, 1G hugepages are supported. On IBM Power architecture, the supported hugepage sizes are 16MB and 16GB.

Note: For 64-bit applications, it is recommended to use 1 GB hugepages if the platform supports them.

In the case of a dual-socket NUMA system, the number of hugepages reserved at boot time is generally divided equally between the two sockets (on the assumption that sufficient memory is present on both sockets).

See the `Documentation/kernel-parameters.txt` file in your Linux source tree for further details of these and other kernel options.

Alternative:

For 2 MB pages, there is also the option of allocating hugepages after the system has booted. This is done by echoing the number of hugepages required to a `nr_hugepages` file in the `/sys/devices/` directory. For a single-node system, the command to use is as follows (assuming that 1024 pages are required):

```
echo 1024 > /sys/kernel/mm/hugepages/hugepages-2048kB/nr_hugepages
```

On a NUMA machine, pages should be allocated explicitly on separate nodes:

```
echo 1024 > /sys/devices/system/node/node0/hugepages/hugepages-2048kB/nr_hugepages
echo 1024 > /sys/devices/system/node/node1/hugepages/hugepages-2048kB/nr_hugepages
```

Note: For 1G pages, it is not possible to reserve the hugepage memory after the system has booted.

Using Hugepages with the DPDK

Once the hugepage memory is reserved, to make the memory available for DPDK use, perform the following steps:

```
mkdir /mnt/huge
mount -t hugetlbfs nodev /mnt/huge
```

The mount point can be made permanent across reboots, by adding the following line to the `/etc/fstab` file:

```
nodev /mnt/huge hugetlbfs defaults 0 0
```

For 1GB pages, the page size must be specified as a mount option:

```
nodev /mnt/huge_1GB hugetlbfs pagesize=1GB 0 0
```

2.3.3 Xen Domain0 Support in the Linux Environment

The existing memory management implementation is based on the Linux kernel hugepage mechanism. On the Xen hypervisor, hugepage support for DomainU (DomU) Guests means that DPDK applications work as normal for guests.

However, Domain0 (Dom0) does not support hugepages. To work around this limitation, a new kernel module `rte_dom0_mm` is added to facilitate the allocation and mapping of memory via **IOCTL** (allocation) and **MMAP** (mapping).

Enabling Xen Dom0 Mode in the DPDK

By default, Xen Dom0 mode is disabled in the DPDK build configuration files. To support Xen Dom0, the `CONFIG_RTE_LIBRTE_XEN_DOM0` setting should be changed to “y”, which enables the Xen Dom0 mode at compile time.

Furthermore, the `CONFIG_RTE_EAL_ALLOW_INV_SOCKET_ID` setting should also be changed to “y” in the case of the wrong socket ID being received.

Loading the DPDK `rte_dom0_mm` Module

To run any DPDK application on Xen Dom0, the `rte_dom0_mm` module must be loaded into the running kernel with `rsv_memsize` option. The module is found in the `kmod` sub-directory of the DPDK target directory. This module should be loaded using the `insmod` command as shown below (assuming that the current directory is the DPDK target directory):

```
sudo insmod kmod/rte_dom0_mm.ko rsv_memsize=X
```

The value X cannot be greater than 4096(MB).

Configuring Memory for DPDK Use

After the `rte_dom0_mm.ko` kernel module has been loaded, the user must configure the memory size for DPDK usage. This is done by echoing the memory size to a `memsize` file in the `/sys/devices/` directory. Use the following command (assuming that 2048 MB is required):

```
echo 2048 > /sys/kernel/mm/dom0-mm/memsize-mB/memsize
```

The user can also check how much memory has already been used:

```
cat /sys/kernel/mm/dom0-mm/memsize-mB/memsize_rsvd
```

Xen Domain0 does not support NUMA configuration, as a result the `--socket-mem` command line option is invalid for Xen Domain0.

Note: The `memsize` value cannot be greater than the `rsv_memsize` value.

Running the DPDK Application on Xen Domain0

To run the DPDK application on Xen Domain0, an extra command line option `--xen-dom0` is required.

COMPILING THE DPDK TARGET FROM SOURCE

Note: Parts of this process can also be done using the setup script described in the [Quick Start Setup Script](#) section of this document.

3.1 Install the DPDK and Browse Sources

First, uncompress the archive and move to the uncompressed DPDK source directory:

```
unzip DPDK-<version>.zip
cd DPDK-<version>

ls
app/ config/ examples/ lib/ LICENSE.GPL LICENSE.LGPL Makefile
mk/ scripts/ tools/
```

The DPDK is composed of several directories:

- **lib:** Source code of DPDK libraries
- **drivers:** Source code of DPDK poll-mode drivers
- **app:** Source code of DPDK applications (automatic tests)
- **examples:** Source code of DPDK application examples
- **config, tools, scripts, mk:** Framework-related makefiles, scripts and configuration

3.2 Installation of DPDK Target Environments

The format of a DPDK target is:

```
ARCH-MACHINE-EXECENV-TOOLCHAIN
```

where:

- **ARCH can be:** i686, x86_64, ppc_64
- **MACHINE can be:** native, ivshmem, power8
- **EXECENV can be:** linuxapp, bsdapp
- **TOOLCHAIN can be:** gcc, icc

The targets to be installed depend on the 32-bit and/or 64-bit packages and compilers installed on the host. Available targets can be found in the DPDK/config directory. The `defconfig_` prefix should not be used.

Note: Configuration files are provided with the `RTE_MACHINE` optimization level set. Within the configuration files, the `RTE_MACHINE` configuration value is set to `native`, which means that the compiled software is tuned for the platform on which it is built. For more information on this setting, and its possible values, see the *DPDK Programmers Guide*.

When using the Intel® C++ Compiler (`icc`), one of the following commands should be invoked for 64-bit or 32-bit use respectively. Notice that the shell scripts update the `$PATH` variable and therefore should not be performed in the same session. Also, verify the compiler's installation directory since the path may be different:

```
source /opt/intel/bin/iccvars.sh intel64
source /opt/intel/bin/iccvars.sh ia32
```

To install and make targets, use the `make install T=<target>` command in the top-level DPDK directory.

For example, to compile a 64-bit target using `icc`, run:

```
make install T=x86_64-native-linuxapp-icc
```

To compile a 32-bit build using `gcc`, the `make` command should be:

```
make install T=i686-native-linuxapp-gcc
```

To prepare a target without building it, for example, if the configuration changes need to be made before compilation, use the `make config T=<target>` command:

```
make config T=x86_64-native-linuxapp-gcc
```

Warning: Any kernel modules to be used, e.g. `igb_uio`, `kni`, must be compiled with the same kernel as the one running on the target. If the DPDK is not being built on the target machine, the `RTE_KERNELDIR` environment variable should be used to point the compilation at a copy of the kernel version to be used on the target machine.

Once the target environment is created, the user may move to the target environment directory and continue to make code changes and re-compile. The user may also make modifications to the compile-time DPDK configuration by editing the `.config` file in the build directory. (This is a build-local copy of the `defconfig` file from the top-level config directory).

```
cd x86_64-native-linuxapp-gcc
vi .config
make
```

In addition, the `make clean` command can be used to remove any existing compiled files for a subsequent full, clean rebuild of the code.

3.3 Browsing the Installed DPDK Environment Target

Once a target is created it contains all libraries, including poll-mode drivers, and header files for the DPDK environment that are required to build customer applications. In addition, the `test` and `testpmd` applications are built under the `build/app` directory, which may be used for testing. A `kmod` directory is also present that contains kernel modules which may be loaded if needed.

```
ls x86_64-native-linuxapp-gcc
app build hostapp include kmod lib Makefile
```

3.4 Loading Modules to Enable Userspace IO for DPDK

To run any DPDK application, a suitable uio module can be loaded into the running kernel. In many cases, the standard `uio_pci_generic` module included in the Linux kernel can provide the uio capability. This module can be loaded using the command

```
sudo modprobe uio_pci_generic
```

As an alternative to the `uio_pci_generic`, the DPDK also includes the `igb_uio` module which can be found in the `kmod` subdirectory referred to above. It can be loaded as shown below:

```
sudo modprobe uio
sudo insmod kmod/igb_uio.ko
```

Note: For some devices which lack support for legacy interrupts, e.g. virtual function (VF) devices, the `igb_uio` module may be needed in place of `uio_pci_generic`.

Since DPDK release 1.7 onward provides VFIO support, use of UIO is optional for platforms that support using VFIO.

3.5 Loading VFIO Module

To run an DPDK application and make use of VFIO, the `vfio-pci` module must be loaded:

```
sudo modprobe vfio-pci
```

Note that in order to use VFIO, your kernel must support it. VFIO kernel modules have been included in the Linux kernel since version 3.6.0 and are usually present by default, however please consult your distributions documentation to make sure that is the case.

Also, to use VFIO, both kernel and BIOS must support and be configured to use IO virtualization (such as Intel® VT-d).

For proper operation of VFIO when running DPDK applications as a non-privileged user, correct permissions should also be set up. This can be done by using the DPDK setup script (called `setup.sh` and located in the `tools` directory).

3.6 Binding and Unbinding Network Ports to/from the Kernel Modules

As of release 1.4, DPDK applications no longer automatically unbind all supported network ports from the kernel driver in use. Instead, all ports that are to be used by an DPDK application must be bound to the `uio_pci_generic`, `igb_uio` or `vfio-pci` module before the application is run. Any network ports under Linux* control will be ignored by the DPDK poll-mode drivers and cannot be used by the application.

Warning: The DPDK will, by default, no longer automatically unbind network ports from the kernel driver at startup. Any ports to be used by an DPDK application must be unbound from Linux* control and bound to the `uio_pci_generic`, `igb_uio` or `vfio-pci` module before the application is run.

To bind ports to the `uio_pci_generic`, `igb_uio` or `vfio-pci` module for DPDK use, and then subsequently return ports to Linux* control, a utility script called `dpdk_nic_bind.py` is provided in the `tools` subdirectory. This utility can be used to provide a view of the current state of the network ports on the system, and to bind and unbind those ports from the different kernel modules, including the `uio` and `vfio` modules. The following are some examples of how the script can be used. A full description of the script and its parameters can be obtained by calling the script with the `--help` or `--usage` options. Note that the `uio` or `vfio` kernel modules to be used, should be loaded into the kernel before running the `dpdk_nic_bind.py` script.

Warning: Due to the way VFIO works, there are certain limitations to which devices can be used with VFIO. Mainly it comes down to how IOMMU groups work. Any Virtual Function device can be used with VFIO on its own, but physical devices will require either all ports bound to VFIO, or some of them bound to VFIO while others not being bound to anything at all.

If your device is behind a PCI-to-PCI bridge, the bridge will then be part of the IOMMU group in which your device is in. Therefore, the bridge driver should also be unbound from the bridge PCI device for VFIO to work with devices behind the bridge.

Warning: While any user can run the `dpdk_nic_bind.py` script to view the status of the network ports, binding or unbinding network ports requires root privileges.

To see the status of all network ports on the system:

```
./tools/dpdk_nic_bind.py --status

Network devices using DPDK-compatible driver
=====
0000:82:00.0 '82599EB 10-GbE NIC' drv=uio_pci_generic unused=ixgbe
0000:82:00.1 '82599EB 10-GbE NIC' drv=uio_pci_generic unused=ixgbe

Network devices using kernel driver
=====
0000:04:00.0 'I350 1-GbE NIC' if=em0  drv=igb unused=uio_pci_generic *Active*
0000:04:00.1 'I350 1-GbE NIC' if=eth1 drv=igb unused=uio_pci_generic
0000:04:00.2 'I350 1-GbE NIC' if=eth2 drv=igb unused=uio_pci_generic
0000:04:00.3 'I350 1-GbE NIC' if=eth3 drv=igb unused=uio_pci_generic

Other network devices
=====
<none>
```

To bind device `eth1`, “04:00.1”, to the `uio_pci_generic` driver:

```
./tools/dpdk_nic_bind.py --bind=uio_pci_generic 04:00.1
```

or, alternatively,

```
./tools/dpdk_nic_bind.py --bind=uio_pci_generic eth1
```

To restore device `82:00.0` to its original kernel binding:

```
./tools/dpdk_nic_bind.py --bind=ixgbe 82:00.0
```

COMPILING AND RUNNING SAMPLE APPLICATIONS

The chapter describes how to compile and run applications in an DPDK environment. It also provides a pointer to where sample applications are stored.

Note: Parts of this process can also be done using the setup script described the *Quick Start Setup Script* section of this document.

4.1 Compiling a Sample Application

Once an DPDK target environment directory has been created (such as `x86_64-native-linuxapp-gcc`), it contains all libraries and header files required to build an application.

When compiling an application in the Linux* environment on the DPDK, the following variables must be exported:

- `RTE_SDK` - Points to the DPDK installation directory.
- `RTE_TARGET` - Points to the DPDK target environment directory.

The following is an example of creating the `helloworld` application, which runs in the DPDK Linux environment. This example may be found in the `${RTE_SDK}/examples` directory.

The directory contains the `main.c` file. This file, when combined with the libraries in the DPDK target environment, calls the various functions to initialize the DPDK environment, then launches an entry point (dispatch application) for each core to be utilized. By default, the binary is generated in the build directory.

```
cd examples/helloworld/
export RTE_SDK=$HOME/DPDK
export RTE_TARGET=x86_64-native-linuxapp-gcc

make
  CC main.o
  LD helloworld
  INSTALL-APP helloworld
  INSTALL-MAP helloworld.map

ls build/app
  helloworld helloworld.map
```

Note: In the above example, `helloworld` was in the directory structure of the DPDK. However, it could have been located outside the directory structure to keep the DPDK structure

intact. In the following case, the `helloworld` application is copied to a new directory as a new starting point.

```
export RTE_SDK=/home/user/DPDK
cp -r $(RTE_SDK)/examples/helloworld my_rte_app
cd my_rte_app/
export RTE_TARGET=x86_64-native-linuxapp-gcc

make
  CC main.o
  LD helloworld
  INSTALL-APP helloworld
  INSTALL-MAP helloworld.map
```

4.2 Running a Sample Application

Warning: The UIO drivers and hugepages must be setup prior to running an application.

Warning: Any ports to be used by the application must be already bound to an appropriate kernel module, as described in [Binding and Unbinding Network Ports to/from the Kernel Modules](#), prior to running the application.

The application is linked with the DPDK target environment's Environmental Abstraction Layer (EAL) library, which provides some options that are generic to every DPDK application.

The following is the list of options that can be given to the EAL:

```
./rte-app -c COREMASK [-n NUM] [-b <domain:bus:devid.func>] \
  [--socket-mem=MB,...] [-m MB] [-r NUM] [-v] [--file-prefix] \
  [--proc-type <primary|secondary|auto>] [-- xen-dom0]
```

The EAL options are as follows:

- `-c COREMASK`: An hexadecimal bit mask of the cores to run on. Note that core numbering can change between platforms and should be determined beforehand.
- `-n NUM`: Number of memory channels per processor socket.
- `-b <domain:bus:devid.func>`: Blacklisting of ports; prevent EAL from using specified PCI device (multiple `-b` options are allowed).
- `--use-device`: use the specified Ethernet device(s) only. Use comma-separated `[domain:]bus:devid.func` values. Cannot be used with `-b` option.
- `--socket-mem`: Memory to allocate from hugepages on specific sockets.
- `-m MB`: Memory to allocate from hugepages, regardless of processor socket. It is recommended that `--socket-mem` be used instead of this option.
- `-r NUM`: Number of memory ranks.
- `-v`: Display version information on startup.
- `--huge-dir`: The directory where `hugetlbfs` is mounted.
- `--file-prefix`: The prefix text used for hugepage filenames.
- `--proc-type`: The type of process instance.

- `--xen-dom0`: Support application running on Xen Domain0 without hugetlbfs.
- `--vmware-tsc-map`: Use VMware TSC map instead of native RDTSC.
- `--base-virtaddr`: Specify base virtual address.
- `--vfio-intr`: Specify interrupt type to be used by VFIO (has no effect if VFIO is not used).

The `-c` and option is mandatory; the others are optional.

Copy the DPDK application binary to your target, then run the application as follows (assuming the platform has four memory channels per processor socket, and that cores 0-3 are present and are to be used for running the application):

```
./helloworld -c f -n 4
```

Note: The `--proc-type` and `--file-prefix` EAL options are used for running multiple DPDK processes. See the “Multi-process Sample Application” chapter in the *DPDK Sample Applications User Guide* and the *DPDK Programmers Guide* for more details.

4.2.1 Logical Core Use by Applications

The `coremask` parameter is always mandatory for DPDK applications. Each bit of the mask corresponds to the equivalent logical core number as reported by Linux. Since these logical core numbers, and their mapping to specific cores on specific NUMA sockets, can vary from platform to platform, it is recommended that the core layout for each platform be considered when choosing the `coremask` to use in each case.

On initialization of the EAL layer by an DPDK application, the logical cores to be used and their socket location are displayed. This information can also be determined for all cores on the system by examining the `/proc/cpuinfo` file, for example, by running `cat /proc/cpuinfo`. The physical id attribute listed for each processor indicates the CPU socket to which it belongs. This can be useful when using other processors to understand the mapping of the logical cores to the sockets.

Note: A more graphical view of the logical core layout may be obtained using the `lstopo` Linux utility. On Fedora Linux, this may be installed and run using the following command:

```
sudo yum install hwloc
./lstopo
```

Warning: The logical core layout can change between different board layouts and should be checked before selecting an application `coremask`.

4.2.2 Hugepage Memory Use by Applications

When running an application, it is recommended to use the same amount of memory as that allocated for hugepages. This is done automatically by the DPDK application at startup, if no `-m` or `--socket-mem` parameter is passed to it when run.

If more memory is requested by explicitly passing a `-m` or `--socket-mem` value, the application fails. However, the application itself can also fail if the user requests less memory than the

reserved amount of hugepage-memory, particularly if using the `-m` option. The reason is as follows. Suppose the system has 1024 reserved 2 MB pages in socket 0 and 1024 in socket 1. If the user requests 128 MB of memory, the 64 pages may not match the constraints:

- The hugepage memory may be given to the application by the kernel in socket 1 only. In this case, if the application attempts to create an object, such as a ring or memory pool in socket 0, it fails. To avoid this issue, it is recommended that the `--socket-mem` option be used instead of the `-m` option.
- These pages can be located anywhere in physical memory, and, although the DPDK EAL will attempt to allocate memory in contiguous blocks, it is possible that the pages will not be contiguous. In this case, the application is not able to allocate big memory pools.

The `socket-mem` option can be used to request specific amounts of memory for specific sockets. This is accomplished by supplying the `--socket-mem` flag followed by amounts of memory requested on each socket, for example, supply `--socket-mem=0,512` to try and reserve 512 MB for socket 1 only. Similarly, on a four socket system, to allocate 1 GB memory on each of sockets 0 and 2 only, the parameter `--socket-mem=1024,0,1024` can be used. No memory will be reserved on any CPU socket that is not explicitly referenced, for example, socket 3 in this case. If the DPDK cannot allocate enough memory on each socket, the EAL initialization fails.

4.3 Additional Sample Applications

Additional sample applications are included in the `#{RTE_SDK}/examples` directory. These sample applications may be built and run in a manner similar to that described in earlier sections in this manual. In addition, see the *DPDK Sample Applications User Guide* for a description of the application, specific instructions on compilation and execution and some explanation of the code.

4.4 Additional Test Applications

In addition, there are two other applications that are built when the libraries are created. The source files for these are in the `DPDK/app` directory and are called `test` and `testpmd`. Once the libraries are created, they can be found in the `build/app` directory.

- The `test` application provides a variety of specific tests for the various functions in the DPDK.
- The `testpmd` application provides a number of different packet throughput tests and examples of features such as how to use the Flow Director found in the Intel® 82599 10 Gigabit Ethernet Controller.

ENABLING ADDITIONAL FUNCTIONALITY

5.1 High Precision Event Timer (HPET) Functionality

5.1.1 BIOS Support

The High Precision Timer (HPET) must be enabled in the platform BIOS if the HPET is to be used. Otherwise, the Time Stamp Counter (TSC) is used by default. The BIOS is typically accessed by pressing F2 while the platform is starting up. The user can then navigate to the HPET option. On the Crystal Forest platform BIOS, the path is: **Advanced -> PCH-IO Configuration -> High Precision Timer ->** (Change from Disabled to Enabled if necessary).

On a system that has already booted, the following command can be issued to check if HPET is enabled:

```
grep hpet /proc/timer_list
```

If no entries are returned, HPET must be enabled in the BIOS (as per the instructions above) and the system rebooted.

5.1.2 Linux Kernel Support

The DPDK makes use of the platform HPET timer by mapping the timer counter into the process address space, and as such, requires that the `HPET_MMAP` kernel configuration option be enabled.

Warning: On Fedora, and other common distributions such as Ubuntu, the `HPET_MMAP` kernel option is not enabled by default. To recompile the Linux kernel with this option enabled, please consult the distributions documentation for the relevant instructions.

5.1.3 Enabling HPET in the DPDK

By default, HPET support is disabled in the DPDK build configuration files. To use HPET, the `CONFIG_RTE_LIBEAL_USE_HPET` setting should be changed to `y`, which will enable the HPET settings at compile time.

For an application to use the `rte_get_hpet_cycles()` and `rte_get_hpet_hz()` API calls, and optionally to make the HPET the default time source for the `rte_timer` library, the new `rte_eal_hpet_init()` API call should be called at application initialization. This API call will ensure that the HPET is accessible, returning an error to the application if it is not, for

example, if `HPET_MMAP` is not enabled in the kernel. The application can then determine what action to take, if any, if the HPET is not available at run-time.

Note: For applications that require timing APIs, but not the HPET timer specifically, it is recommended that the `rte_get_timer_cycles()` and `rte_get_timer_hz()` API calls be used instead of the HPET-specific APIs. These generic APIs can work with either TSC or HPET time sources, depending on what is requested by an application call to `rte_eal_hpet_init()`, if any, and on what is available on the system at runtime.

5.2 Running DPDK Applications Without Root Privileges

Although applications using the DPDK use network ports and other hardware resources directly, with a number of small permission adjustments it is possible to run these applications as a user other than “root”. To do so, the ownership, or permissions, on the following Linux file system objects should be adjusted to ensure that the Linux user account being used to run the DPDK application has access to them:

- All directories which serve as hugepage mount points, for example, `/mnt/huge`
- The userspace-io device files in `/dev`, for example, `/dev/uio0`, `/dev/uio1`, and so on
- The userspace-io sysfs config and resource files, for example for `uio0`:

```
/sys/class/uio/uio0/device/config
/sys/class/uio/uio0/device/resource*
```

- If the HPET is to be used, `/dev/hpet`

Note: On some Linux installations, `/dev/hugepages` is also a hugepage mount point created by default.

5.3 Power Management and Power Saving Functionality

Enhanced Intel SpeedStep® Technology must be enabled in the platform BIOS if the power management feature of DPDK is to be used. Otherwise, the `sys` file folder `/sys/devices/system/cpu/cpu0/cpufreq` will not exist, and the CPU frequency-based power management cannot be used. Consult the relevant BIOS documentation to determine how these settings can be accessed.

For example, on some Intel reference platform BIOS variants, the path to Enhanced Intel SpeedStep® Technology is:

```
Advanced
-> Processor Configuration
-> Enhanced Intel SpeedStep® Tech
```

In addition, C3 and C6 should be enabled as well for power management. The path of C3 and C6 on the same platform BIOS is:

```
Advanced
-> Processor Configuration
-> Processor C3 Advanced
-> Processor Configuration
-> Processor C6
```

5.4 Using Linux Core Isolation to Reduce Context Switches

While the threads used by an DPDK application are pinned to logical cores on the system, it is possible for the Linux scheduler to run other tasks on those cores also. To help prevent additional workloads from running on those cores, it is possible to use the `isolcpus` Linux kernel parameter to isolate them from the general Linux scheduler.

For example, if DPDK applications are to run on logical cores 2, 4 and 6, the following should be added to the kernel parameter list:

```
isolcpus=2,4,6
```

5.5 Loading the DPDK KNI Kernel Module

To run the DPDK Kernel NIC Interface (KNI) sample application, an extra kernel module (the `kni` module) must be loaded into the running kernel. The module is found in the `kmod` sub-directory of the DPDK target directory. Similar to the loading of the `igb_uio` module, this module should be loaded using the `insmod` command as shown below (assuming that the current directory is the DPDK target directory):

```
insmod kmod/rte_kni.ko
```

Note: See the “Kernel NIC Interface Sample Application” chapter in the *DPDK Sample Applications User Guide* for more details.

5.6 Using Linux IOMMU Pass-Through to Run DPDK with Intel® VT-d

To enable Intel® VT-d in a Linux kernel, a number of kernel configuration options must be set. These include:

- `IOMMU_SUPPORT`
- `IOMMU_API`
- `INTEL_IOMMU`

In addition, to run the DPDK with Intel® VT-d, the `iommu=pt` kernel parameter must be used when using `igb_uio` driver. This results in pass-through of the DMAR (DMA Remapping) lookup in the host. Also, if `INTEL_IOMMU_DEFAULT_ON` is not set in the kernel, the `intel_iommu=on` kernel parameter must be used too. This ensures that the Intel IOMMU is being initialized as expected.

Please note that while using `iommu=pt` is compulsory for `igb_uio` driver, the `vfio-pci` driver can actually work with both `iommu=pt` and `iommu=on`.

5.7 High Performance of Small Packets on 40G NIC

As there might be firmware fixes for performance enhancement in latest version of firmware image, the firmware update might be needed for getting high performance. Check with the

local Intel's Network Division application engineers for firmware updates. The base driver to support firmware version of FVL3E will be integrated in the next DPDK release, so currently the validated firmware version is 4.2.6.

5.7.1 Enabling Extended Tag and Setting Max Read Request Size

PCI configurations of `extended_tag` and `max_read_request_size` have big impacts on performance of small packets on 40G NIC. Enabling `extended_tag` and setting `max_read_request_size` to small size such as 128 bytes provide great helps to high performance of small packets.

- These can be done in some BIOS implementations.
- For other BIOS implementations, PCI configurations can be changed by using command of `setpci`, or special configurations in DPDK config file of `common_linux`.
 - Bits 7:5 at address of 0xA8 of each PCI device is used for setting the `max_read_request_size`, and bit 8 of 0xA8 of each PCI device is used for enabling/disabling the `extended_tag`. `lspci` and `setpci` can be used to read the values of 0xA8 and then write it back after being changed.
 - In config file of `common_linux`, below three configurations can be changed for the same purpose.

```
CONFIG_RTE_PCI_CONFIG
CONFIG_RTE_PCI_EXTENDED_TAG
CONFIG_RTE_PCI_MAX_READ_REQUEST_SIZE
```

5.7.2 Use 16 Bytes RX Descriptor Size

As i40e PMD supports both 16 and 32 bytes RX descriptor sizes, and 16 bytes size can provide helps to high performance of small packets. Configuration of `CONFIG_RTE_LIBRTE_I40E_16BYTE_RX_DESC` in config files can be changed to use 16 bytes size RX descriptors.

5.7.3 High Performance and per Packet Latency Tradeoff

Due to the hardware design, the interrupt signal inside NIC is needed for per packet descriptor write-back. The minimum interval of interrupts could be set at compile time by `CONFIG_RTE_LIBRTE_I40E_ITR_INTERVAL` in configuration files. Though there is a default configuration, the interval could be tuned by the users with that configuration item depends on what the user cares about more, performance or per packet latency.

QUICK START SETUP SCRIPT

The `setup.sh` script, found in the `tools` subdirectory, allows the user to perform the following tasks:

- Build the DPDK libraries
- Insert and remove the DPDK `IGB_UIO` kernel module
- Insert and remove VFIO kernel modules
- Insert and remove the DPDK KNI kernel module
- Create and delete hugepages for NUMA and non-NUMA cases
- View network port status and reserve ports for DPDK application use
- Set up permissions for using VFIO as a non-privileged user
- Run the `test` and `testpmd` applications
- Look at hugepages in the `meminfo`
- List hugepages in `/mnt/huge`
- Remove built DPDK libraries

Once these steps have been completed for one of the EAL targets, the user may compile their own application that links in the EAL libraries to create the DPDK image.

6.1 Script Organization

The `setup.sh` script is logically organized into a series of steps that a user performs in sequence. Each step provides a number of options that guide the user to completing the desired task. The following is a brief synopsis of each step.

Step 1: Build DPDK Libraries

Initially, the user must select a DPDK target to choose the correct target type and compiler options to use when building the libraries.

The user must have all libraries, modules, updates and compilers installed in the system prior to this, as described in the earlier chapters in this Getting Started Guide.

Step 2: Setup Environment

The user configures the Linux* environment to support the running of DPDK applications. Hugepages can be set up for NUMA or non-NUMA systems. Any existing hugepages will

be removed. The DPDK kernel module that is needed can also be inserted in this step, and network ports may be bound to this module for DPDK application use.

Step 3: Run an Application

The user may run the test application once the other steps have been performed. The test application allows the user to run a series of functional tests for the DPDK. The testpmd application, which supports the receiving and sending of packets, can also be run.

Step 4: Examining the System

This step provides some tools for examining the status of hugepage mappings.

Step 5: System Cleanup

The final step has options for restoring the system to its original state.

6.2 Use Cases

The following are some example of how to use the setup.sh script. The script should be run using the source command. Some options in the script prompt the user for further data before proceeding.

Warning: The setup.sh script should be run with root privileges.

```
source tools/setup.sh
```

```
-----
RTE_SDK exported as /home/user/rte
-----
```

```
Step 1: Select the DPDK environment to build
-----
```

```
[1] i686-native-linuxapp-gcc
[2] i686-native-linuxapp-icc
[3] ppc_64-power8-linuxapp-gcc
[4] x86_64-ivshmem-linuxapp-gcc
[5] x86_64-ivshmem-linuxapp-icc
[6] x86_64-native-bsdapp-clang
[7] x86_64-native-bsdapp-gcc
[8] x86_64-native-linuxapp-clang
[9] x86_64-native-linuxapp-gcc
[10] x86_64-native-linuxapp-icc
-----
```

Step 2: Setup linuxapp environment

- [11] Insert IGB UIO module
- [12] Insert VFIO module
- [13] Insert KNI module
- [14] Setup hugepage mappings for non-NUMA systems
- [15] Setup hugepage mappings for NUMA systems
- [16] Display current Ethernet device settings
- [17] Bind Ethernet device to IGB UIO module
- [18] Bind Ethernet device to VFIO module
- [19] Setup VFIO permissions

Step 3: Run test application for linuxapp environment

- [20] Run test application (\$RTE_TARGET/app/test)
- [21] Run testpmd application in interactive mode (\$RTE_TARGET/app/testpmd)

Step 4: Other tools

- [22] List hugepage info from /proc/meminfo

Step 5: Uninstall and system cleanup

- [23] Uninstall all targets
- [24] Unbind NICs from IGB UIO driver
- [25] Remove IGB UIO module
- [26] Remove VFIO module
- [27] Remove KNI module
- [28] Remove hugepage mappings
- [29] Exit Script

Option:

The following selection demonstrates the creation of the `x86_64-native-linuxapp-gcc` DPDK library.

```
Option: 9

===== Installing x86_64-native-linuxapp-gcc

Configuration done
== Build lib
...
Build complete
RTE_TARGET exported as x86_64-native-linuxapp-gcc
```

The following selection demonstrates the starting of the DPDK UIO driver.

```
Option: 25

Unloading any existing DPDK UIO module
Loading DPDK UIO module
```

The following selection demonstrates the creation of hugepages in a NUMA system. 1024 2 MByte pages are assigned to each node. The result is that the application should use `-m 4096` for starting the application to access both memory areas (this is done automatically if the `-m` option is not provided).

Note: If prompts are displayed to remove temporary files, type 'y'.

```
Option: 15

Removing currently reserved hugepages
mounting /mnt/huge and removing directory
Input the number of 2MB pages for each node
Example: to have 128MB of hugepages available per node,
enter '64' to reserve 64 * 2MB pages on each node
Number of pages for node0: 1024
Number of pages for node1: 1024
Reserving hugepages
Creating /mnt/huge and mounting as hugetlbfs
```

The following selection demonstrates the launch of the test application to run on a single core.

```
Option: 20

Enter hex bitmask of cores to execute test app on
Example: to execute app on cores 0 to 7, enter 0xff
bitmask: 0x01
Launching app
EAL: coremask set to 1
EAL: Detected lcore 0 on socket 0
...
EAL: Master core 0 is ready (tid=1b2ad720)
RTE>>
```

6.3 Applications

Once the user has run the `setup.sh` script, built one of the EAL targets and set up hugepages (if using one of the Linux EAL targets), the user can then move on to building and running their application or one of the examples provided.

The examples in the `/examples` directory provide a good starting point to gain an understanding of the operation of the DPDK. The following command sequence shows how the helloworld sample application is built and run. As recommended in Section 4.2.1, “Logical Core Use by Applications”, the logical core layout of the platform should be determined when selecting a core mask to use for an application.

```
cd helloworld/
make
  CC main.o
  LD helloworld
  INSTALL-APP helloworld
  INSTALL-MAP helloworld.map

sudo ./build/app/helloworld -c 0xf -n 3
[sudo] password for rte:

EAL: coremask set to f
EAL: Detected lcore 0 as core 0 on socket 0
EAL: Detected lcore 1 as core 0 on socket 1
EAL: Detected lcore 2 as core 1 on socket 0
EAL: Detected lcore 3 as core 1 on socket 1
EAL: Setting up hugepage memory...
EAL: Ask a virtual area of 0x200000 bytes
EAL: Virtual area found at 0x7f0add800000 (size = 0x200000)
EAL: Ask a virtual area of 0x3d400000 bytes
EAL: Virtual area found at 0x7f0aa0200000 (size = 0x3d400000)
EAL: Ask a virtual area of 0x400000 bytes
EAL: Virtual area found at 0x7f0a9fc00000 (size = 0x400000)
EAL: Ask a virtual area of 0x400000 bytes
EAL: Virtual area found at 0x7f0a9f600000 (size = 0x400000)
EAL: Ask a virtual area of 0x400000 bytes
EAL: Virtual area found at 0x7f0a9f000000 (size = 0x400000)
EAL: Ask a virtual area of 0x800000 bytes
EAL: Virtual area found at 0x7f0a9e600000 (size = 0x800000)
EAL: Ask a virtual area of 0x800000 bytes
EAL: Virtual area found at 0x7f0a9dc00000 (size = 0x800000)
EAL: Ask a virtual area of 0x400000 bytes
EAL: Virtual area found at 0x7f0a9d600000 (size = 0x400000)
EAL: Ask a virtual area of 0x400000 bytes
EAL: Virtual area found at 0x7f0a9d000000 (size = 0x400000)
EAL: Ask a virtual area of 0x400000 bytes
EAL: Virtual area found at 0x7f0a9ca00000 (size = 0x400000)
EAL: Ask a virtual area of 0x200000 bytes
EAL: Virtual area found at 0x7f0a9c600000 (size = 0x200000)
EAL: Ask a virtual area of 0x200000 bytes
EAL: Virtual area found at 0x7f0a9c200000 (size = 0x200000)
EAL: Ask a virtual area of 0x3fc00000 bytes
EAL: Virtual area found at 0x7f0a5c400000 (size = 0x3fc00000)
EAL: Ask a virtual area of 0x200000 bytes
EAL: Virtual area found at 0x7f0a5c000000 (size = 0x200000)
EAL: Requesting 1024 pages of size 2MB from socket 0
EAL: Requesting 1024 pages of size 2MB from socket 1
EAL: Master core 0 is ready (tid=de25b700)
EAL: Core 1 is ready (tid=5b7fe700)
EAL: Core 3 is ready (tid=5a7fc700)
EAL: Core 2 is ready (tid=5affd700)
hello from core 1
hello from core 2
hello from core 3
hello from core 0
```

HOW TO GET BEST PERFORMANCE WITH NICs ON INTEL PLATFORMS

This document is a step-by-step guide for getting high performance from DPDK applications on Intel platforms.

7.1 Hardware and Memory Requirements

For best performance use an Intel Xeon class server system such as Ivy Bridge, Haswell or newer.

Ensure that each memory channel has at least one memory DIMM inserted, and that the memory size for each is at least 4GB. **Note:** this has one of the most direct effects on performance.

You can check the memory configuration using `dmidecode` as follows:

```
dmidecode -t memory | grep Locator
```

```
Locator: DIMM_A1  
Bank Locator: NODE 1  
Locator: DIMM_A2  
Bank Locator: NODE 1  
Locator: DIMM_B1  
Bank Locator: NODE 1  
Locator: DIMM_B2  
Bank Locator: NODE 1  
...  
Locator: DIMM_G1  
Bank Locator: NODE 2  
Locator: DIMM_G2  
Bank Locator: NODE 2  
Locator: DIMM_H1  
Bank Locator: NODE 2  
Locator: DIMM_H2  
Bank Locator: NODE 2
```

The sample output above shows a total of 8 channels, from A to H, where each channel has 2 DIMMs.

You can also use `dmidecode` to determine the memory frequency:

```
dmidecode -t memory | grep Speed
```

```
Speed: 2133 MHz  
Configured Clock Speed: 2134 MHz  
Speed: Unknown  
Configured Clock Speed: Unknown  
Speed: 2133 MHz
```

```

Configured Clock Speed: 2134 MHz
Speed: Unknown
...
Speed: 2133 MHz
Configured Clock Speed: 2134 MHz
Speed: Unknown
Configured Clock Speed: Unknown
Speed: 2133 MHz
Configured Clock Speed: 2134 MHz
Speed: Unknown
Configured Clock Speed: Unknown

```

The output shows a speed of 2133 MHz (DDR4) and Unknown (not existing). This aligns with the previous output which showed that each channel has one memory bar.

7.1.1 Network Interface Card Requirements

Use a [DPDK supported](#) high end NIC such as the Intel XL710 40GbE.

Make sure each NIC has been flashed the latest version of NVM/firmware.

Use PCIe Gen3 slots, such as Gen3 x8 or Gen3 x16 because PCIe Gen2 slots don't provide enough bandwidth for 2 x 10GbE and above. You can use `lspci` to check the speed of a PCI slot using something like the following:

```

lspci -s 03:00.1 -vv | grep LnkSta

LnkSta: Speed 8GT/s, Width x8, TrErr- Train- SlotClk+ DLActive- ...
LnkSta2: Current De-emphasis Level: -6dB, EqualizationComplete+ ...

```

When inserting NICs into PCI slots always check the caption, such as CPU0 or CPU1 to indicate which socket it is connected to.

Care should be take with NUMA. If you are using 2 or more ports from different NICs, it is best to ensure that these NICs are on the same CPU socket. An example of how to determine this is shown further below.

7.1.2 BIOS Settings

The following are some recommendations on BIOS settings. Different platforms will have different BIOS naming so the following is mainly for reference:

1. Before starting consider resetting all BIOS settings to their default.
2. Disable all power saving options such as: Power performance tuning, CPU P-State, CPU C3 Report and CPU C6 Report.
3. Select **Performance** as the CPU Power and Performance policy.
4. Disable Turbo Boost to ensure the performance scaling increases with the number of cores.
5. Set memory frequency to the highest available number, NOT auto.
6. Disable all virtualization options when you test the physical function of the NIC, and turn on `VT-d` if you wants to use VFIO.

7.1.3 Linux boot command line

The following are some recommendations on GRUB boot settings:

1. Use the default grub file as a starting point.
2. Reserve 1G huge pages via grub configurations. For example to reserve 8 huge pages of 1G size:

```
default_hugepagesz=1G hugepagesz=1G hugepages=8
```

3. Isolate CPU cores which will be used for DPDK. For example:

```
isolcpus=2,3,4,5,6,7,8
```

4. If it wants to use VFIO, use the following additional grub parameters:

```
iommu=pt intel_iommu=on
```

7.2 Configurations before running DPDK

1. Build the DPDK target and reserve huge pages. See the earlier section on *Use of Hugepages in the Linux Environment* for more details.

The following shell commands may help with building and configuration:

```
# Build DPDK target.
cd dpdk_folder
make install T=x86_64-native-linuxapp-gcc -j

# Get the hugepage size.
awk '/Hugepagesize/ {print $2}' /proc/meminfo

# Get the total huge page numbers.
awk '/HugePages_Total/ {print $2}' /proc/meminfo

# Unmount the hugepages.
umount `awk '/hugetlbfs/ {print $2}' /proc/mounts`

# Create the hugepage mount folder.
mkdir -p /mnt/huge

# Mount to the specific folder.
mount -t hugetlbfs nodev /mnt/huge
```

2. Check the CPU layout using using the DPDK `cpu_layout` utility:

```
cd dpdk_folder

tools/cpu_layout.py
```

Or run `lscpu` to check the the cores on each socket.

3. Check your NIC id and related socket id:

```
# List all the NICs with PCI address and device IDs.
lspci -nn | grep Eth
```

For example suppose your output was as follows:

```
82:00.0 Ethernet [0200]: Intel XL710 for 40GbE QSFP+ [8086:1583]
82:00.1 Ethernet [0200]: Intel XL710 for 40GbE QSFP+ [8086:1583]
85:00.0 Ethernet [0200]: Intel XL710 for 40GbE QSFP+ [8086:1583]
85:00.1 Ethernet [0200]: Intel XL710 for 40GbE QSFP+ [8086:1583]
```

Check the PCI device related numa node id:

```
cat /sys/bus/pci/devices/0000\:\xx\:\00.x/numa_node
```

Usually `0x:00.x` is on socket 0 and `8x:00.x` is on socket 1. **Note:** To get the best performance, ensure that the core and NICs are in the same socket. In the example above `85:00.0` is on socket 1 and should be used by cores on socket 1 for the best performance.

- Bind the test ports to DPDK compatible drivers, such as `igb_uio`. For example bind two ports to a DPDK compatible driver and check the status:

```
# Bind ports 82:00.0 and 85:00.0 to dpdk driver
./dpdk_folder/tools/dpdk_nic_bind.py -b igb_uio 82:00.0 85:00.0

# Check the port driver status
./dpdk_folder/tools/dpdk_nic_bind.py --status
```

See `dpdk_nic_bind.py --help` for more details.

More details about DPDK setup and Linux kernel requirements see [Compiling the DPDK Target from Source](#).

7.3 Example of getting best performance for an Intel NIC

The following is an example of running the DPDK `l3fwd` sample application to get high performance with an Intel server platform and Intel XL710 NICs. For specific 40G NIC configuration please refer to the `i40e` NIC guide.

The example scenario is to get best performance with two Intel XL710 40GbE ports. See [Fig. 7.1](#) for the performance test setup.

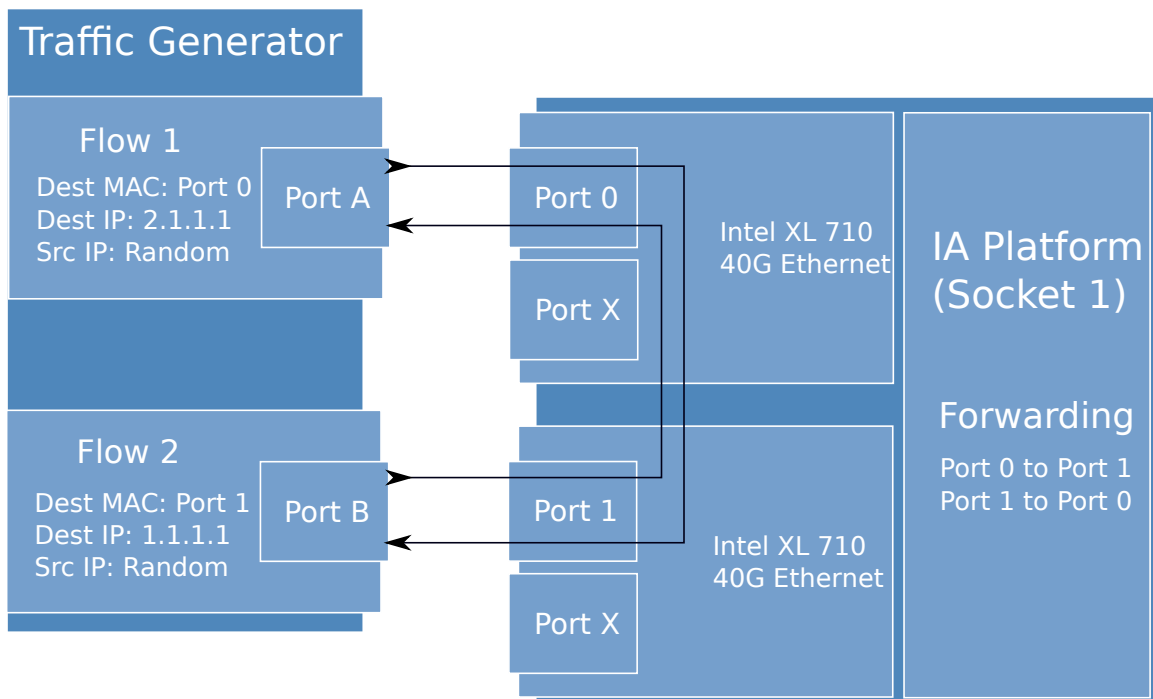


Fig. 7.1: Performance Test Setup

1. Add two Intel XL710 NICs to the platform, and use one port per card to get best performance. The reason for using two NICs is to overcome a PCIe Gen3's limitation since it cannot provide 80G bandwidth for two 40G ports, but two different PCIe Gen3 x8 slot can. Refer to the sample NICs output above, then we can select 82:00.0 and 85:00.0 as test ports:

```
82:00.0 Ethernet [0200]: Intel XL710 for 40GbE QSFP+ [8086:1583]
85:00.0 Ethernet [0200]: Intel XL710 for 40GbE QSFP+ [8086:1583]
```

2. Connect the ports to the traffic generator. For high speed testing, it's best to use a hardware traffic generator.
3. Check the PCI devices numa node (socket id) and get the cores number on the exact socket id. In this case, 82:00.0 and 85:00.0 are both in socket 1, and the cores on socket 1 in the referenced platform are 18-35 and 54-71. Note: Don't use 2 logical cores on the same core (e.g core18 has 2 logical cores, core18 and core54), instead, use 2 logical cores from different cores (e.g core18 and core19).
4. Bind these two ports to igb_uio.
5. As to XL710 40G port, we need at least two queue pairs to achieve best performance, then two queues per port will be required, and each queue pair will need a dedicated CPU core for receiving/transmitting packets.
6. The DPDK sample application `l3fwd` will be used for performance testing, with using two ports for bi-directional forwarding. Compile the `l3fwd` sample with the default lpm mode.
7. The command line of running `l3fwd` would be something like the followings:

```
./l3fwd -c 0x3c0000 -n 4 -w 82:00.0 -w 85:00.0 \
-- -p 0x3 --config '(0,0,18), (0,1,19), (1,0,20), (1,1,21)'
```

This means that the application uses core 18 for port 0, queue pair 0 forwarding, core 19 for port 0, queue pair 1 forwarding, core 20 for port 1, queue pair 0 forwarding, and core 21 for port 1, queue pair 1 forwarding.

8. Configure the traffic at a traffic generator.
 - Start creating a stream on packet generator.
 - Set the Ethernet II type to 0x0800.