



DPDK Summit

Your DPDK Cookbook

M Jay

Muthurajan.Jayakumar@intel.com

What Benefits DPDK Cookbook brings to me?

- DPDK Developer / Customer

Benefits - DPDK Cookbook

- Solution Oriented Mini Sections
- Visual Aids for easy understanding
- User Friendly Screenshots
- Links to Videos
- Each Section has Exercises For You, Developers



Build Your
Own Traffic
Generator

```
Enter PCI address of device to unbind: 0000:03:00.1
Enter name of kernel driver to bind the device to: igb
OK
```

Exercises for the Readers

1) How would you configure the traffic generator for different packet lengths?

2) To run the traffic generator forever, what should be the value of -d?



What can I build in 10 minutes with DPDK cookbook recipe?

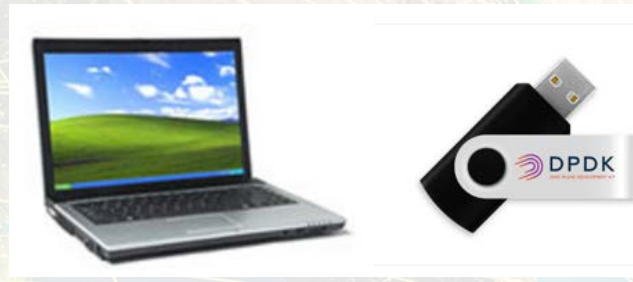
- DPDK Developer / Customer

What Turnkey solutions I can build? – Tell me Top 2

- TRex Packet Generator – in 7 pages
 - Screenshots help – start to finish in 10 min



- DPDK On-the-Go – DPDK in your USB stick
 - 9 minutes – VirtualBox + DPDK config, build, run on PC

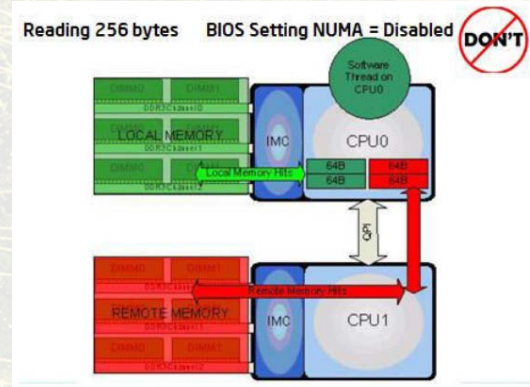


Cookbook Recipe – Which Platform it is targeted for?

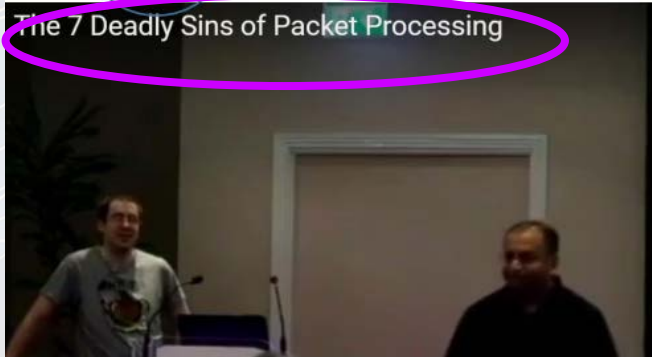
- Which Platform the Cookbook Recipe is based on?
- Any IA platform
- (chapter 1) From Intel Atom® PDK in a Box to (chapter 7) Intel Xeon® Dual Socket



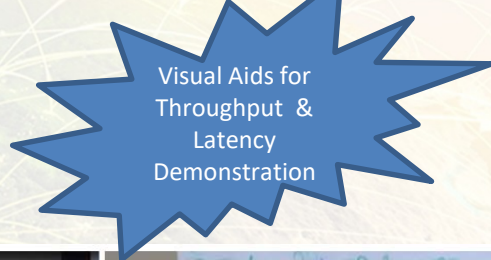
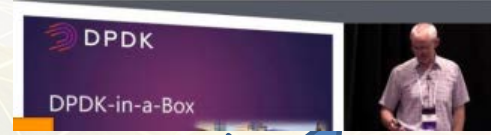
The platform can be any Intel® platform – * Desktop, * Server, * Laptop or * Embedded System.



And Links to more Webinars & Resources

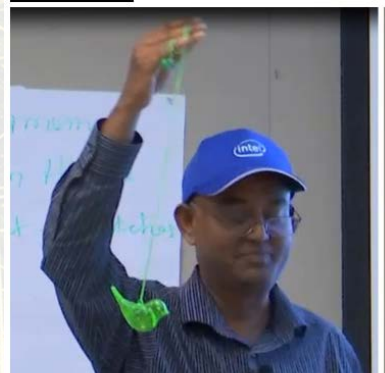


DPDK Summit Channel



DPDK Documents

DPDK Releases



Call To Action

Let Us Know What Turn Key Solutions You Want To See?

Muthurajan.Jayakumar@intel.com



THANK YOU